

**Relatives of
Abner Sears
(1787-1842)**

Compiled by Leslie Sears
Moore, USA
16th November 2020

Compiled by Leslie Sears

Copyright 2020 by Leslie Sears

All rights reserved. No part of this publication may be reproduced or transmitted in any form or by any means, electronic or mechanical, including photocopy, recording or any information storage on retrieval system, without permission in writing from the copyright owner.

A comparatively modest present,
but the good ones which I can give.

"Only who knows his past has a future."
Wilhelm von Humboldt (1767-1835)

Foreword

This book contains the facts, who, where, when, but not the story of our family. If you can add to our history or have an anecdote to tell, then please share it and help make our story come alive. Even little things, like your cousin the fisherman who didn't eat fish, will make our story more personal. If you can add to our story, please contact me! I hope to have at least a photo of everyone who is here. It is amazing how often there is a close resemblance for relatives separated by generations.

Leslie Sears

Moore, USA

16th November 2020

Contents

Introduction.....	9
Family of the Starting Person	11
Abner Sears and Mary Van Pelt.....	11
Related 1 Step Removed	15
Parents	15
Richard Sears and Mary Lee	15
Siblings	19
John Sears and Betsy Chapman.....	19
Richard Sears and Mary Ash.....	22
Orange Sears and Annis Bissell.....	24
Polly Sears and Daniel Harrington	26
Silas Sears and Sally Roberts	27
Sally Sears and William Babcock.....	28
Children	31
Charlotte Sears and John Davis	31
Diantha Sears and Henry Farmer	34
Alexander Sears and Vesta Hawley	36
Washington Sears and Elizabeth Morrison	38
Hannah Sears and James Killpatrick.....	42
Richard Sears and Hannah Pike	44
Hiram Sears and Mary Prentice.....	46
Caroline Sears and Henry Morrison	50
Addison Sears and Addie Warner	52
Related 2 Steps Removed.....	55
Grandparents.....	55
Silas Sears and Deborah Buck	55
Abner Lee and Sarah Merrick.....	57
Uncles/aunts.....	59
Phebe Sears.....	59
Phebe Sears and John Partridge.....	60
Phebe Sears and Micah Boydin.....	61
Hannah Sears and Elisha Sears.....	62
Deborah Sears and Wheeler	64
Barnabas Sears and Thankful Blackmer	65
1st Cousins	69
Rhoda Partridge and Jos. Newcomb.....	69
Mary Boydin and Cyrus Varney	69
Katherine Boydin and Jonas Underwood.....	70
Barnabas Sears and Polly Gray	71
Simeon Sears and Hannah Hinds	73
Nathan Sears and Julia Field.....	75
Sardis Sears.....	76
Sardis Sears and Electra Sloan	78
Sardis Sears and Marietta Jenks.....	79
Polly Sears and Asahel Phelps.....	82
Barnabas Sears and Abigail Witherell.....	85
Thankful Sears and Winslow.....	91
Lydia Sears	91
Lydia Sears and Benjamin Smith.....	92
Lydia Sears and Asher Witherell.....	92
Mercy Sears and Robert Shadders.....	93
Hannah Sears and John Cassidy.....	94
Franklin Sears and Elizabeth Shadders	95
Nephews/nieces	99
Harriet Sears and Harvey Vidatoe	99

Contents

Aurelia Sears and Joseph Browne	101
Hiram Sears and Sarah Adams	103
Caroline Sears and Byron Sutton	106
Cassius Sears and Adeline Gruna	109
Emeline Sears and John Moore	110
Anna Sears and David Fisk	111
Henry Sears and Julia Wheaton	113
Mary Sears and Alfred Estey	117
Richard Sears.....	117
Richard Sears and Almira Howard	119
Richard Sears and Amy Tubbs	125
Silas Sears and Betsey Seelye.....	126
Priscilla Sears and Orin Hungerford.....	133
Walter Sears and Sarah Mills.....	134
Oscar Sears and Polly Moore	137
Amanda Sears and Merritt Purdy	142
Hiram Sears and Clara Davis.....	145
Betsy Sears and John Gray	146
Sally Sears and Silas Edgecombe.....	148
Mary Sears and Hiram Washburn.....	149
Ellen Sears and Orin Ross.....	151
Grandchildren	153
Diantha Davis and Abram Scholl.....	153
Rachel Davis and Simon Beckmann.....	154
Mary Davis and William Mumford.....	157
William Davis and Cordelia Lee.....	159
Hiram Davis and Nancy Hahn	161
Joseph Farmer and Jemima Linn.....	164
John Farmer and Sarah Arnold	165
Lewis Farmer and Mary --Farmer	166
Mary Farmer and Joseph Gwinn.....	168
Julia Farmer and John Butts	170
Charlotte Farmer and George Stevens.....	171
Abner Farmer and Harriet Bryan	173
Vesta Sears and Edwin Vawters.....	174
Mary Sears and Charles Ray	175
Alexander Sears and Mary Oakes.....	176
Mary Sears and Eden Moore.....	180
Charles Sears and Mary Penton	184
Harry Sears and Mary Peiper.....	190
James Killpatrick and Mary Green	191
Hiram Killpatrick and Julia Burrus	192
Genette Sears and Clayton Wills.....	193
Hiram Sears and Anna Patterson	196
Rosy Sears and Erastus Rhinehart	197
Alexander Morrison and Maggie Shurtliff.....	198
Mary Morrison and Thomas Coultas.....	199
Edna Morrison and Joseph Cornish.....	200
Julia Morrison and Franklin Roose	202
Ida Morrison and Samuel Battell.....	203
Bibliography	205
Index of Places	209
Index of Individuals.....	223

Introduction{ TC "Introduction" \f C}

The following pages list data for all known family members as of 16th November 2020.

Each immediate family is presented in their own section that contains a graphical family tree as well as a description with information about each referenced person and their children. The child section provides information about the children of the preceding couple. When a child has offspring of their own this is presented in a separate family section for that child. In this case a '+' is used to denote that an individual will appear later in the book as a parent with his/her own children and there is a link to the appropriate family reference number. For children with partners but no offspring the partner data is given with the reference family. Roman numerals, followed by a period, are used to indicate the birth order.

In the chapter titled "Family of the Starting Person" the ancestors of Abner Sears are presented in a kind of enhanced Pedigree Chart which displays the graphic representation of their direct-line ancestors and the children of the couple. This chapter contains information about the couple whose relatives are listed in the later chapters.

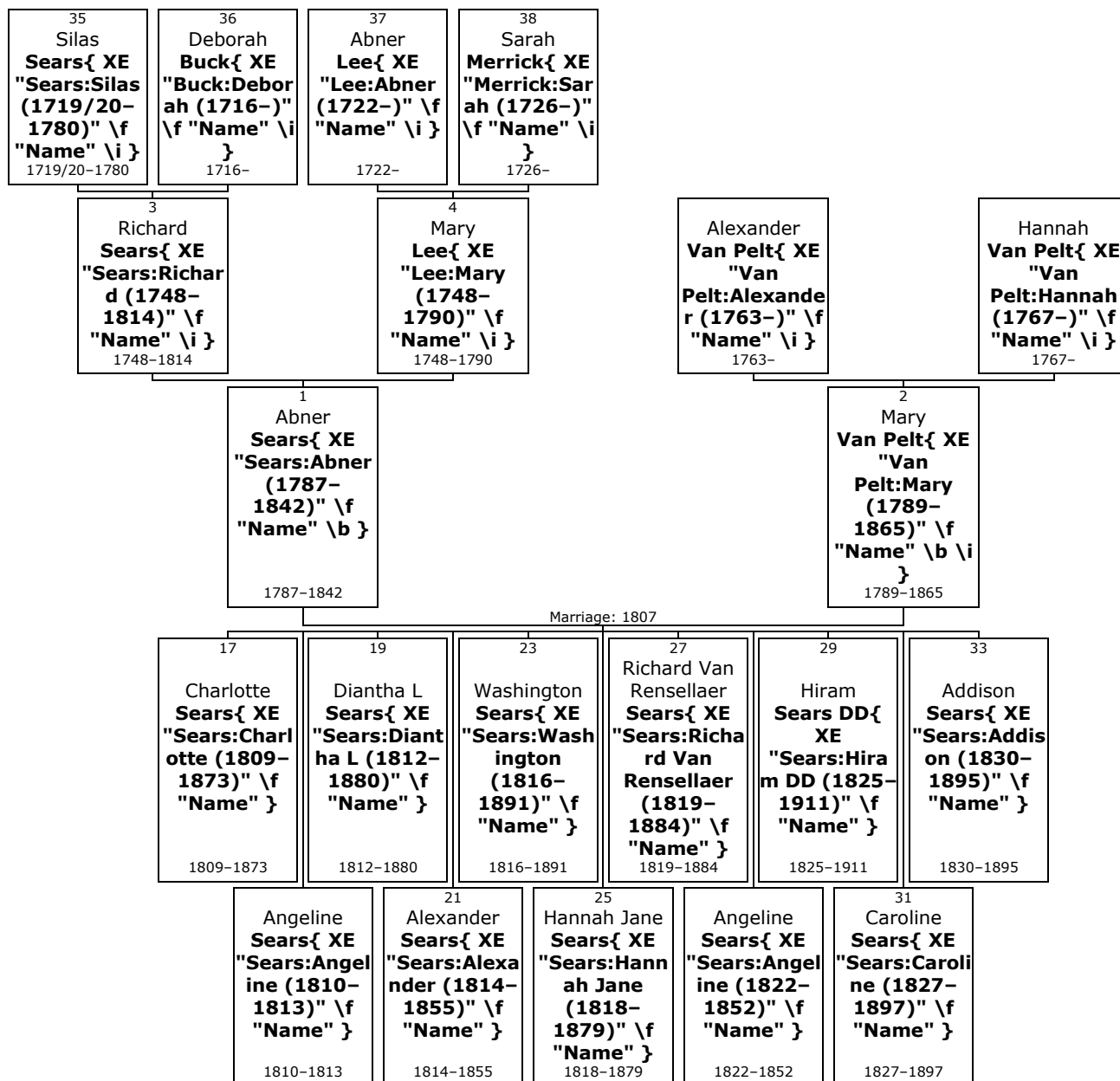
The chapter titled "Families of his Ancestors" provides details (as known as of the publication date) for the relatives of Abner Sears. There is a chapter for each generation. Relatives are listed in the order of the nearness of their relationship.

Sources for the information provided are given in the footnotes.

This document reports the details of 518 individuals, of whom 261 are male and 254 are female. The sex of 3 individuals is unknown. Of the 299 individuals with recorded birth and death dates, the average lifespan was 46.69 years. Of these, 151 males averaged 45.99 years, and 146 females averaged 47.5 years. The longest living male was Henry B Morrison (1823–1913), who died aged 90. The longest living female was Betsey M Seelye (1813–1909), who died aged 95.

Family of the Starting Person{ TC "Family of the Starting Person" \f C}

Family of Abner Sears and Mary Van Pelt{ TC "Abner Sears and Mary Van Pelt" \i 3 \f C}



- 1. Abner⁶ Sears**{ XE "Sears:Abner (1787-1842)" \f "Name" \b } (*Sergt Richard⁵, Silas⁴, Joseph³, Silas², Richard¹*) was born on Friday, 15th June 1787, at probably in Massachusetts, USA{ XE "USA, Massachusetts:(42.1562° N, 71.5662° W):Sears, Abner (1787-1842)" \f "Place" }.^[1, 2] He was the son of Richard Sears{ XE "Sears:Richard (1748-1814)" \f "Name" \i } (3) and Mary Lee{ XE "Lee:Mary (1748-1790)" \f "Name" \i } (4).

¹ Ancestry.com, North America, Family Histories, 1500-2000 (Provo, UT, USA, Ancestry.com Operations, Inc., 2016), Ancestry.com, Book Title: Lineage Book : NSDAR : Volume 149 : 1919. [Source citation includes one media item]

² Ancestry.com, U.S., Find A Grave Index, 1600s-Current (Provo, UT, USA, Ancestry.com Operations, Inc., 2012), Ancestry.com.

Abner died in near, Naples, Scott, Illinois, { XE "USA, Illinois, Scott, Naples, near: :Sears, Abner (1787–1842)" \f "Place" } on 22nd August 1842, at the age of 55.^[1, 2] He was buried in Bluffs { XE "USA, Illinois, Scott, Bluffs:(39.752° N, 90.5351° W):Sears, Abner (1787–1842)" \f "Place" }.^[2]

<https://www.wikitree.com/wiki/Sears-1322>

!S.P. May p.312 Abner Sears lived for a time in Rensselaer, Schenectady and Otsego counties, NY, working at his trade of wagonbuilder. In the fall of 1818, he emigrated to Ohio, and settled in Yankeetown, Madison township, Fayette co., and became a thrifty farmer, removing in the fall of 1836 to the vicinity of Naples, Morgan (now Scott) co., IL. He was an honored member and exhorter in the Methodist church. His wife was a woman of remarkable ability for planning wisely in the industrious and religious cultivation of the family. She is said to have been a second cousin to the late Maj Anderson, the hero of Fort Sumter, and connected on her mother's side with the family of Richard Stockton, signer of the Declaration of Independence.

BIRTH: Letter from Carol Aldrich, Tulsa, OK, to Ray Sears, Duncan, OK; 1675-1989; Letter dtd 18 May 1994; ; copy in poss of Ray Sears, Duncan, OK;

From: FaganCJB@aol.com [mailto:FaganCJB@aol.com] Sent: Monday, February 11, 2013 2:11 PM To: LRSEARS@Cox.net Subject: Sears Family Dear Mr. Sears, From what I have read, you are the authority on the Sears family lineage. I have spent months trying to get information on the following Sears family members, but am unable to find much if anything on them, I am hoping you can help me. I need documents or information on Abner Sears, b. June 15, 1787; d. Aug 23, 1842 -son of Richard Sears and Mary Lee. I also am in need of info on Abner Sears' wife, Mary Van Pelt b. March 6, 1789; d. Aug 8, 1865, daughter of Alexander and Hannah Van Pelt. Any info on Richard's wife, Mary Lee would be extremely helpful. I saw that you had written the Sears Genealogical Catalogue book on line for \$150. I cannot afford to pay this amount, and wondered if you had a book that states information different from Stephen Mays' book for less than \$150 and includes Abner Sears, etc. I am applying for membership in the Mayflower Society and they require me to provide them with some documentation other than what Mr. Mays states in his book. I would appreciate any leads you may be able to give me. I look forward to hearing from you, Mr. Sears. Thank you. Carolyn Fagan Email: fagancjb@aol.com &mailto:fagancjb@aol.com>

2. At the age of 20, Abner married **Mary Van Pelt** { XE "Van Pelt:Mary (1789–1865)" \f "Name" \b \i } on Wednesday, 30th December 1807, in near, Troy, Albany, New York, { XE "USA, New York, Albany, Troy, near: :Sears, Abner (1787–1842)" \f "Place" } when she was 18 years old.^[1] They had eleven children: Charlotte (1809–1873), Angeline (1810–1813), Diantha (1812–1880), Alexander (1814–1855), Washington (1816–1891), Hannah (1818–1879), Richard (1819–1884), Angeline (1822–1852), Hiram (1825–1911), Caroline (1827–1897) and Addison (1830–1895).

Mary was born in Essex, New Jersey, { XE "USA, New Jersey, Essex:(40.7873° N, 74.2463° W):Van Pelt, Mary (1789–1865)" \f "Place" } on Friday, 6th March 1789.^[1] She was the daughter of Alexander Van Pelt { XE "Van Pelt:Alexander (1763–)" \f "Name" \i } and Hannah Van Pelt { XE "Van Pelt:Hannah (1767–)" \f "Name" \i }.

Mary reached 76 years of age and died in Scott, Illinois, { XE "USA, Illinois, Scott:(39.6479° N, 90.4783° W):Van Pelt, Mary (1789–1865)" \f "Place" } on 3rd August 1865.^[1]

BIRTH: Letter from Carol Aldrich, Tulsa, OK, to Ray Sears, Duncan, OK; 1675-1989; Letter dtd 18 May 1994; ; copy in poss of Ray Sears, Duncan, OK;

Children of Abner Sears and Mary Van Pelt:

- + 17 f I. **Charlotte⁵ Sears** { XE "Sears:Charlotte (1809–1873)" \f "Name" } was born in Rensselaer { XE "USA, New York, Rensselaer:(42.7098° N, 73.5139° W):Sears, Charlotte (1809–1873)" \f "Place" } on 9th July 1809.^[3, 4] She died in Mount Pleasant, Whiteside, Illinois, { XE "USA, Illinois, Whiteside, Mount Pleasant: :Sears, Charlotte (1809–1873)" \f "Place" } on 16th April 1873, at the age of 63.^[4, 5]

³ Ancestry.com, Illinois, Deaths and Stillbirths Index, 1916-1947 (Provo, UT, USA, Ancestry.com Operations, Inc., 2011), Ancestry.com, Record for William H. Davis. <http://search.ancestry.com/cgi-bin/sse.dll?db=2542&h=955907&indiv=try>.

⁴ Ancestry.com, U.S., Find A Grave Index, 1600s-Current (Provo, UT, USA, Ancestry.com Operations, Inc., 2012), Ancestry.com, Record for Hiram Sears Davis. <http://search.ancestry.com/cgi-bin/sse.dll?db=60525&h=91279155&indiv=try>.

⁵ Ancestry.com, Web: Illinois, Find A Grave Index, 1809-2012 (Provo, UT, USA, Ancestry.com Operations, Inc., 2012), Ancestry.com.

- f II. **Angeline Sears**{ XE "Sears:Angeline (1810–1813)" \f "Name" \b } was born in Duanesburg, Schenectady,{ XE "USA, New York, Schenectady, Duanesburg:(42.762° N, 74.1337° W):Sears, Angeline (1810–1813)" \f "Place" } on 26th November 1810. She died in Cherry Valley, Winnebago, Illinois,{ XE "USA, Illinois, Winnebago, Cherry Valley:(42.2348° N, 88.949° W):Sears, Angeline (1810–1813)" \f "Place" } on 4th August 1813, at the age of 2.
- + 19 f III. **Diantha L Sears**{ XE "Sears:Diantha L (1812–1880)" \f "Name" } was born in Duanesburg,{ XE "USA, New York, Schenectady, Duanesburg:(42.762° N, 74.1337° W):Sears, Diantha L (1812–1880)" \f "Place" } on 30th March 1812.^[6, 7] She died in Pleasant Twp, Poweshiek, Iowa,{ XE "USA, Iowa, Poweshiek, Pleasant Twp:(40.6328° N, 92.9256° W):Sears, Diantha L (1812–1880)" \f "Place" } in 1880 at the age of 67.^[7]
- + 21 m IV. **Alexander Sears**{ XE "Sears:Alexander (1814–1855)" \f "Name" } was born in Cherry Valley, Otsego,{ XE "USA, New York, Otsego, Cherry Valley:(42.7956° N, 74.7532° W):Sears, Alexander (1814–1855)" \f "Place" } on 16th March 1814. He died in Marshall, Harrison, Texas,{ XE "USA, Texas, Harrison, Marshall:(32.5449° N, 94.3674° W):Sears, Alexander (1814–1855)" \f "Place" } on 6th February 1855, at the age of 40.
- + 23 m V. **Washington Sears**{ XE "Sears:Washington (1816–1891)" \f "Name" } was born in Cherry Valley,{ XE "USA, New York, Otsego, Cherry Valley:(42.7956° N, 74.7532° W):Sears, Washington (1816–1891)" \f "Place" } on 3rd June 1816.^[1, 2, 5, 8, 9, 10-11] He died in Oxville, Scott, Illinois,{ XE "USA, Illinois, Scott, Oxville:(39.7047° N, 90.5611° W):Sears, Washington (1816–1891)" \f "Place" } on 11th May 1891, at the age of 74.^[1, 2, 5]
- + 25 f VI. **Hannah Jane Sears**{ XE "Sears:Hannah Jane (1818–1879)" \f "Name" } was born in Cherry Valley,{ XE "USA, New York, Otsego, Cherry Valley:(42.7956° N, 74.7532° W):Sears, Hannah Jane (1818–1879)" \f "Place" } on 1st March 1818. She died on 30th November 1879, at the age of 61.^[12]
- + 27 m VII. **Richard Van Rensellaer Sears**{ XE "Sears:Richard Van Rensellaer (1819–1884)" \f "Name" } was born in Yankeetown, Fayette, Ohio,{ XE "USA, Ohio, Fayette, Yankeetown: :Sears, Richard Van Rensellaer (1819–1884)" \f "Place" } on 5th November 1819. He died in Oxville, Scott, Illinois,{ XE "USA, Illinois, Scott, Oxville:(39.7047° N, 90.5611° W):Sears, Richard Van Rensellaer (1819–1884)" \f "Place" } on 23rd February 1884, at the age of 64.^[13]
- f VIII. **Angeline Sears**{ XE "Sears:Angeline (1822–1852)" \f "Name" \b } was born in Yankeetown, Madison,{ XE "USA, Ohio, Fayette, Madison, Yankeetown: :Sears, Angeline (1822–1852)" \f "Place" } on 10th September 1822. She died at Unm. in Naples, Ontario,

⁶ Ancestry.com, 1870 United States Federal Census (Provo, UT, USA, Ancestry.com Operations, Inc., 2009), Ancestry.com, Year: 1870; Census Place: Union, Poweshiek, Iowa; Roll: M593_417; Page: 408B; Family History Library Film: 545916. Record for Abner S Farmer. <http://search.ancestry.com/cgi-bin/sse.dll?db=7163&h=21379032&indiv=try>.

⁷ "Ancestry Family Tree", Record for Lewis W Farmer. <http://search.ancestry.com/cgi-bin/sse.dll?db=1030&h=150024926140&indiv=try>.

⁸ Ancestry.com and The Church of Jesus Christ of Latter-day Saints, 1880 United States Federal Census (Provo, UT, USA, Ancestry.com Operations Inc, 2010), Ancestry.com, Year: 1880; Census Place: Scott, Illinois; Roll: 250; Family History Film: 1254250; Page: 585A; Enumeration District: 240.

⁹ Ancestry.com, 1860 United States Federal Census (Provo, UT, USA, Ancestry.com Operations, Inc., 2009), Ancestry.com, Year: 1860; Census Place: Township 15 Range 13, Scott, Illinois; Roll: M653_227; Page: 889; Image: 65; Family History Library Film: 803227.

¹⁰ Ancestry.com, 1870 United States Federal Census (Provo, UT, USA, Ancestry.com Operations, Inc., 2009), Ancestry.com, Year: 1870; Census Place: Township 15 Range 13, Scott, Illinois; Roll: M593_276; Page: 361A; Image: 729; Family History Library Film: 545775.

¹¹ Ancestry.com, 1850 United States Federal Census (Provo, UT, USA, Ancestry.com Operations, Inc., 2009), Ancestry.com, Year: 1850; Census Place: Naples, Scott, Illinois; Roll: M432_128; Page: 30A; Image: 338.

¹² Ancestry.com, U.S., Find A Grave Index, 1600s-Current (Provo, UT, USA, Ancestry.com Operations, Inc., 2012), Record for Hannah J. Killpatrick-<https://www.findagrave.com/memorial/177448986>. <http://search.ancestry.com/cgi-bin/sse.dll?db=2495&h=47426821&indiv=try>.

¹³ Ancestry.com, U.S., Find A Grave Index, 1600s-Current (Provo, UT, USA, Ancestry.com Operations, Inc., 2012), Record for Richard V. Sears-<https://www.findagrave.com/memorial/141990901/richard-v.-sears>. <http://search.ancestry.com/cgi-bin/sse.dll?db=2495&h=47426821&indiv=try>.

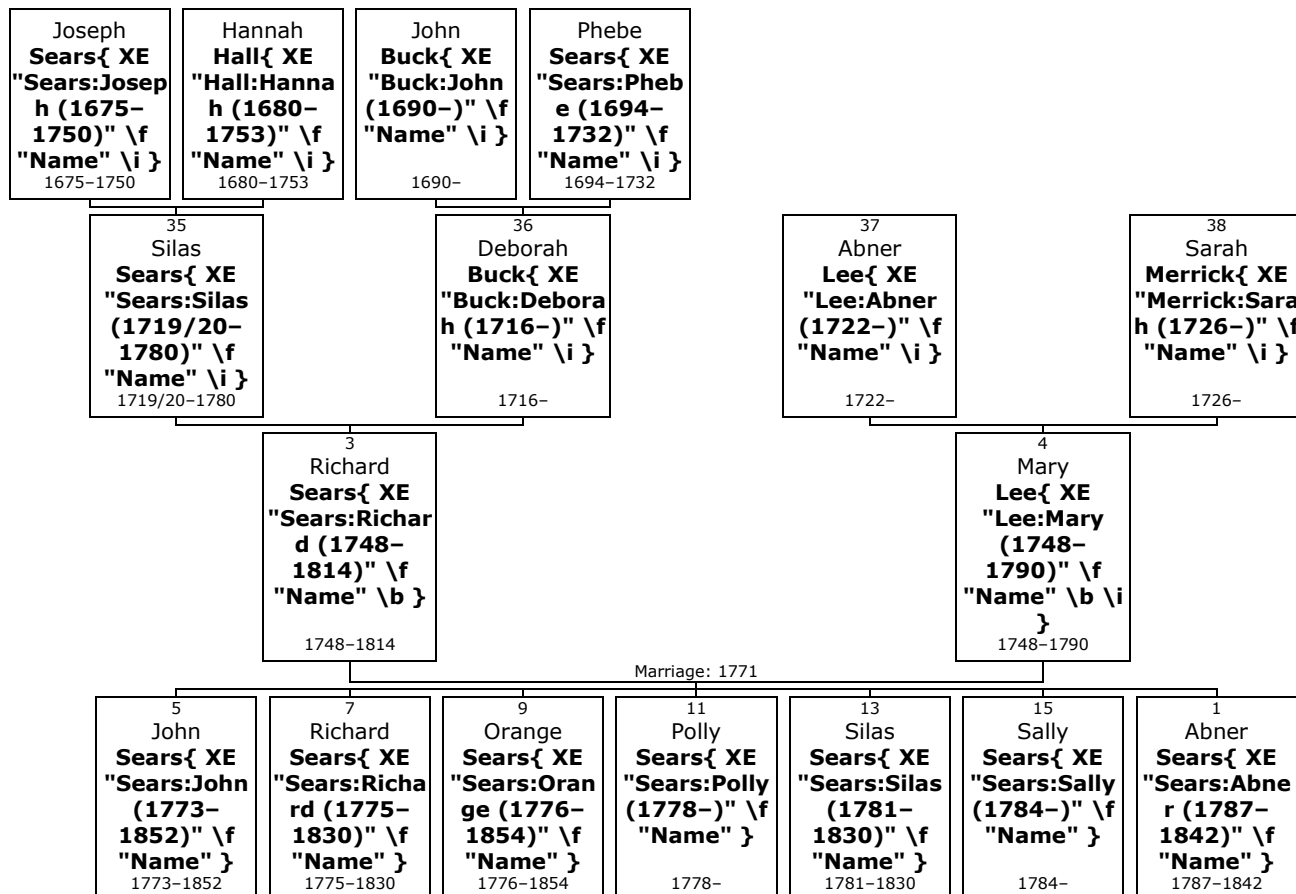
New York,{ XE "USA, New York, Ontario, Naples:(42.6154° N, 77.4025° W):Sears, Angeline (1822-1852)" \f "Place" } on 20th August 1852, at the age of 29.

- + 29 m IX. **Hiram Sears DD**{ XE "Sears:Hiram DD (1825-1911)" \f "Name" } was born in Yankeetown{ XE "USA, Ohio, Fayette, Madison, Yankeetown: :Sears, Hiram DD (1825-1911)" \f "Place" } on 10th April 1825. He died in Berea, Cuyahoga,{ XE "USA, Ohio, Cuyahoga, Berea:(41.3662° N, 81.8543° W):Sears, Hiram DD (1825-1911)" \f "Place" } on 10th April 1911, at the age of 86.
- + 31 f X. **Caroline Sears**{ XE "Sears:Caroline (1827-1897)" \f "Name" } was born in Yankeetown{ XE "USA, Ohio, Fayette, Madison, Yankeetown: :Sears, Caroline (1827-1897)" \f "Place" } on 30th April 1827. She died in Coin, Page, Iowa,{ XE "USA, Iowa, Page, Coin:(40.6544° N, 95.2303° W):Sears, Caroline (1827-1897)" \f "Place" } in 1897 at the age of 69.
- + 33 m XI. **Addison Sears**{ XE "Sears:Addison (1830-1895)" \f "Name" } was born in Yankeetown{ XE "USA, Ohio, Fayette, Madison, Yankeetown: :Sears, Addison (1830-1895)" \f "Place" } on 1st January 1830. He died in Marshall, Harrison, Texas,{ XE "USA, Texas, Harrison, Marshall:(32.5449° N, 94.3674° W):Sears, Addison (1830-1895)" \f "Place" } on 13th June 1895, at the age of 65.

Related 1 Step Removed{ TC "Related 1 Step Removed" \f C}

Parents{ TC "Parents" \I 2 \f C}

Family of Richard Sears and Mary Lee{ TC "Richard Sears and Mary Lee" \I 3 \f C}



3. **Sergt Richard³ Sears**{ XE "Sears:Richard (1748-1814)" \f "Name" \b } (*Silas*²) was born in 1748 in Hardwick, Worcester, Massachusetts, USA{ XE "USA, Massachusetts, Worcester, Hardwick:(42.3501° N, 72.1995° W):Sears, Richard (1748-1814)" \f "Place" }.^[14, 15-16] He was the son of Silas Sears{ XE "Sears:Silas (1719/20-1780)" \f "Name" \i } (35) and Deborah Buck{ XE "Buck:Deborah (1716-)" \f "Name" \i } (36).

Richard died in perh, Hoosick, Rensselaer, New York,{ XE "USA, New York, Rensselaer, Hoosick, perh: :Sears, Richard (1748-1814)" \f "Place" } on 1st June 1814, at the age of 66.^[14, 16] He was buried in Hoosick{ XE "USA, New York, Rensselaer, Hoosick:(42.8625° N, 73.3286° W):Sears, Richard (1748-1814)" \f "Place" } in June 1814.

<https://www.wikitree.com/wiki/Sears-3950>

¹⁴ Ancestry.com, North America, Family Histories, 1500-2000 (Provo, UT, USA, Ancestry.com Operations, Inc., 2016), Ancestry.com, Book Title: Lineage Book : NSDAR : Volume 149 : 1919. [Source citation includes one media item]

¹⁵ Ancestry.com, U.S., Sons of the American Revolution Membership Applications, 1889-1970 (Provo, UT, USA, Ancestry.com Operations, Inc., 2011), Ancestry.com, Volume: 252. [Source citation includes one media item]

¹⁶ Ancestry.com, North America, Family Histories, 1500-2000 (Provo, UT, USA, Ancestry.com Operations, Inc., 2016), Ancestry.com, Book Title: Lineage Book : NSDAR : Volume 096 : 1912. [Source citation includes one media item]

!S P May p.188, No 336- The children may have been born in different order.

! Richard Sears was probably born in Hardwick, or in the adjoining town of Greenwich, MA, but I do not find his name on record in either place prior to his marriage in 1771.

! Richard Sears, from Ashfield, was a Corporal in Capt. Isaac Gray's co. in Col. Jon. Brewer's Regt., 1775, which fought at Bunker's Hill; and Sergeant in Capt. Abner Pomroy's Co. in Col. Ezra Wood's Regt.; marched into NY state, 160 miles travel, 7 mos., 27 days' service, wages £15.16.0.

! Family tradition says he was at the battle of Bunker's Hill, and his grandson Walter S. Sears, of Adrian, MI, possesses the powder horn which he carried on that memorable occasion.

! After the Revolution he removed to Hoosick, NY, and is supposed to have died there.

! He was a member of Federal Lodge No. 33 of Mark Masons, at Hoosick, 1 Jun 1814. Later he removed to Schoharie, NY, where he died 6 Aug 1814, at the residence of his son Silas Sears. He was a wagonmaker by trade, and a Methodist in religion. His first wife, Mary Lee, owing to hardships during the war, became broken in mind and body.

! His grandson, Rev Hiram Sears of Effingham, IL, and of the Seamen's Bethel Home, Cleveland, OH, earnestly requests any person having knowledge of Richard Sears or of either of his children to communicate with him.

!

!BIRTH: Letter from Carol Aldrich, Tulsa, OK, to Ray Sears, Duncan, OK; 1675-1989; Letter dtd 18 May 1994; ; copy in poss of Ray Sears, Duncan, OK; Family tradition says he was at the Battle of Bunker Hill, and his great grandson, Henry B Sears, of Toledo, OH possesses the powder horn which he carried on that memorable occasion. It was given to Henry B Sears by his Uncle Walter of Adrian, MI.

! According to the New York census of 1790 A Richard Sears of Montgomery Town, Ulster co, NY was head of family with 2 free white males over 16, 4 free white females inc. head of fam 4 white males under 16 no "all other persons," and no slaves.

!

!DAR # 45575 He served as corporal and sergeant. He was at Bunker Hill and the powder horn he carried is in the possession of his family. His wife suffered through life from hardships endured during the war.

!

!http://freepages.genealogy.rootsweb.com/~jdevlin/ma/hardwick_marr5.htm

!Hardwick VR to the Year 1850 Compiled by Thomas W. Baldwin, Boston, Mass., 1917 ; Richard and Mary Lee, m. Dec. 19, 1771. C.R

From: FaganCJB@aol.com [mailto:FaganCJB@aol.com] Sent: Friday, March 29, 2013 3:39 PMTo: LRsears@gmail.comSubject: Thank You So Much Mr. Sears, I am a Sergt Richard Sears descendant.I want to thank you for all the enormous genealogical work you have put on thousands of members of the Sears Family. I wanted to ask your permission to copy the section on Sergt. Richard Sears for my records and for my genealogical usage. I read in the Sears Catalogue web sight that no photocopying of the book was allowed without your permission.I can certainly understand that request. I, however, I jjust want to copy some information that is already online about the Sears family via the Sears Family Association and I am assuming you gathered most of this info from Mr. Mays, I do already have Mr. Mays book, but you have added a few things about Richard's death that I wanted to print out. May I have your permission to do so? Thanks you so very much for all you have done to help so many of us. Carolyn Fagan Email: fagancjb@aol.com <mailto:fagancjb@aol.com> West Lake Hills, Texas

4. Richard married **Mary Lee**{ XE "Lee:Mary (1748-1790)" \f "Name" \b \i } on Sunday, 29th December 1771, at m. int 19 Dec in Hardwick, Worcester, Massachusetts{ XE "USA, Massachusetts, Worcester, Hardwick:(42.3501° N, 72.1995° W):Sears, Richard (1748-1814)" \f "Place" }.^[14, 16] They had seven children: John (1773-1852), Richard (1775-1830), Orange (1776-1854), Polly (1778-), Silas (1781-1830), Sally (1784-) and Abner (1787-1842).

Mary was born in perh, Hardwick,{ XE "USA, Massachusetts, Worcester, Hardwick, perh: :Lee, Mary (1748-1790)" \f "Place" } in 1748. She was the daughter of Abner Lee{ XE "Lee:Abner (1722-)" \f "Name" \i } (37) and Sarah Merrick{ XE "Merrick:Sarah (1726-)" \f "Name" \i } (38).

Mary died between 1790 and 1792.^[14]

BIRTH: Letter from Carol Aldrich, Tulsa, OK, to Ray Sears, Duncan, OK; 1675-1989; Letter dtd 18 May 1994; ; copy in poss of Ray Sears, Duncan, OK; !showed her surname as Merrick?

Children of Richard Sears and Mary Lee:

- + 5 m I. **John⁴ Sears**{ XE "Sears:John (1773-1852)" \f "Name" } was born in Amherst, Hampshire,{ XE "USA, Massachusetts, Hampshire, Amherst:(42.3804° N, 72.5232°

- W):Sears, John (1773–1852)" \f "Place" } on 22nd February 1773.^[17] He died in Monkton, Addison, Vermont,{ XE "USA, Vermont, Addison, Monkton:(44.2201° N, 73.1254° W):Sears, John (1773–1852)" \f "Place" } on 1st December 1852, at the age of 79.^[17]
- + 7 m II. **Richard Sears**{ XE "Sears:Richard (1775–1830)" \f "Name" } was born on 9th October 1775.^[15, 16] He died in Rome, Oneida, New York,{ XE "USA, New York, Oneida, Rome:(43.2129° N, 75.4557° W):Sears, Richard (1775–1830)" \f "Place" } on 2nd May 1830, at the age of 54.^[16]
- + 9 m III. **Orange Sears**{ XE "Sears:Orange (1776–1854)" \f "Name" } was born in Amherst{ XE "USA, Massachusetts, Hampshire, Amherst:(42.3804° N, 72.5232° W):Sears, Orange (1776–1854)" \f "Place" } on 4th December 1776.^[18] He died in Lyons, Wayne, New York,{ XE "USA, New York, Wayne, Lyons:(43.0642° N, 76.9902° W):Sears, Orange (1776–1854)" \f "Place" } in 1854 at the age of 77.
- + 11 f IV. **Polly Sears**{ XE "Sears:Polly (1778–)" \f "Name" } was born in perh, Amherst,{ XE "USA, Massachusetts, Hampshire, Amherst, perh: :Sears, Polly (1778–)" \f "Place" } in 1778.
- + 13 m V. **Silas Sears**{ XE "Sears:Silas (1781–1830)" \f "Name" } was born in Massachusetts{ XE "USA, Massachusetts:(42.1562° N, 71.5662° W):Sears, Silas (1781–1830)" \f "Place" } on 10th February 1781. He died in Orwell, Bradford, Pennsylvania,{ XE "USA, Pennsylvania, Bradford, Orwell:(41.8839° N, 76.2775° W):Sears, Silas (1781–1830)" \f "Place" } on 1st April 1830, at the age of 49.
- + 15 f VI. **Sally Sears**{ XE "Sears:Sally (1784–)" \f "Name" } was born in Massachusetts{ XE "USA, Massachusetts:(42.1562° N, 71.5662° W):Sears, Sally (1784–)" \f "Place" } in 1784.^[19]
- + 1 m VII. **Abner Sears**{ XE "Sears:Abner (1787–1842)" \f "Name" } was born in Massachusetts{ XE "USA, Massachusetts:(42.1562° N, 71.5662° W):Sears, Abner (1787–1842)" \f "Place" } on 15th June 1787.^[14] He died in near, Naples, Scott, Illinois,{ XE "USA, Illinois, Scott, Naples, near: :Sears, Abner (1787–1842)" \f "Place" } on 22nd August 1842, at the age of 55.^[14, 17]

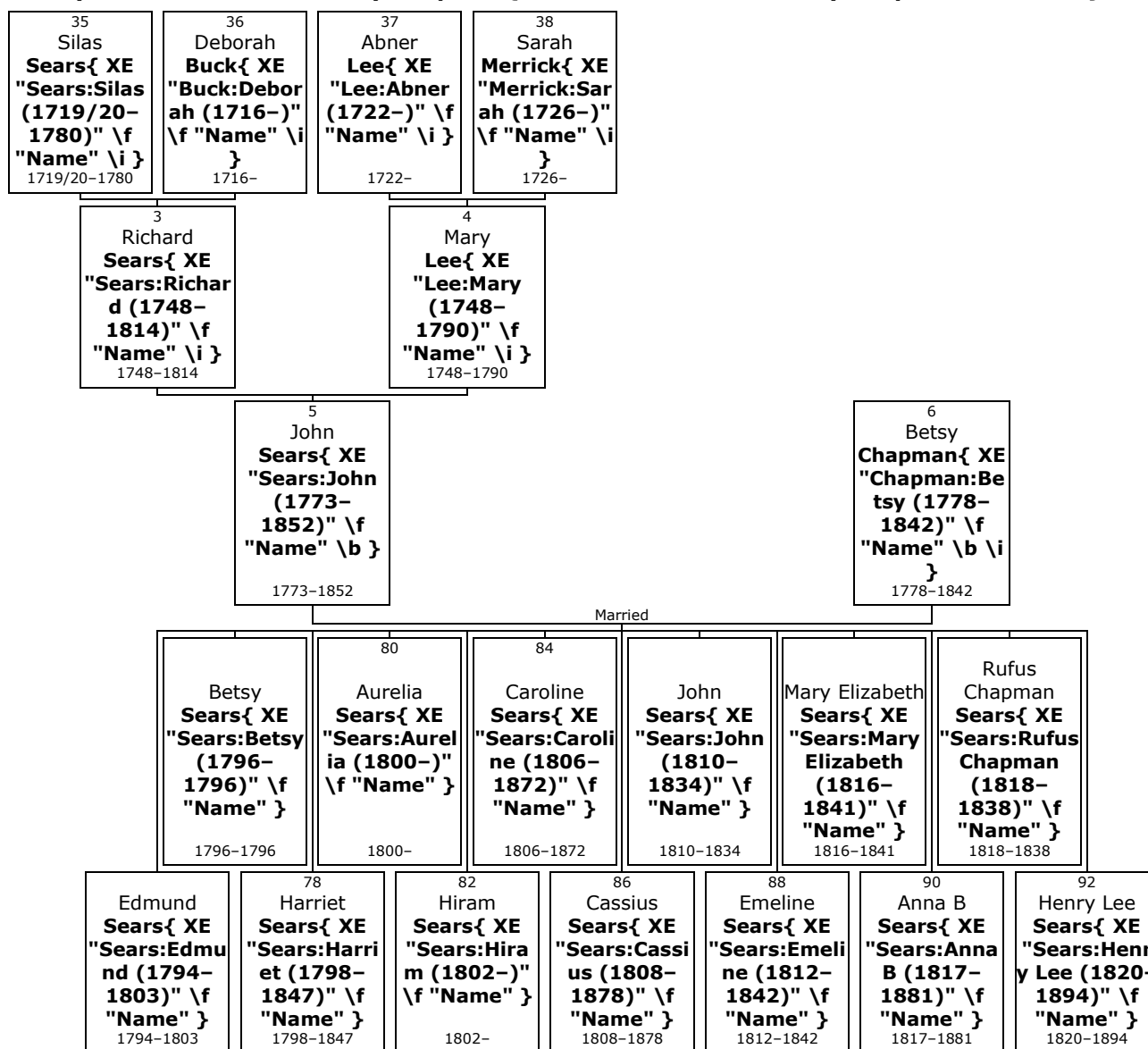
¹⁷ Ancestry.com, U.S., Find A Grave Index, 1600s-Current (Provo, UT, USA, Ancestry.com Operations, Inc., 2012), Ancestry.com.

¹⁸ Ancestry.com, 1850 United States Federal Census (Provo, UT, USA, Ancestry.com Operations, Inc., 2009), Ancestry.com, Year: 1850; Census Place: Butler, Wayne, New York; Roll: M432_613; Page: 319A; Image: 49.

¹⁹ FamilySearch.org, FamilySearch Family Tree, FamilySearch, "Family Tree," database, <i>FamilySearch</i> (http://familysearch.org : modified 29 June 2015, 16:52), entry for Sally Sears(PID https://familysearch.org/ark:/61903/4:1:LK71-WD9); contributed by various users. PersonID LK71-WD9. Sally Sears. https://familysearch.org/ark:/61903/4:1:LK71-WD9.

Siblings{ TC "Siblings" \I 2 \f C}

Family of John Sears and Betsy Chapman{ TC "John Sears and Betsy Chapman" \I 3 \f C}



5. **John⁴ Sears**{ XE "Sears:John (1773-1852)" \f "Name" \b } (*Sergt Richard³, Silas²*) was born on Monday, 22nd February 1773, in Amherst, Hampshire, Massachusetts, USA{ XE "USA, Massachusetts, Hampshire, Amherst:(42.3804° N, 72.5232° W):Sears, John (1773-1852)" \f "Place" }.^[20] He was the son of Richard Sears{ XE "Sears:Richard (1748-1814)" \f "Name" \i } (3) and Mary Lee{ XE "Lee:Mary (1748-1790)" \f "Name" \i } (4).

John died in Monkton, Addison, Vermont,{ XE "USA, Vermont, Addison, Monkton:(44.2201° N, 73.1254° W):Sears, John (1773-1852)" \f "Place" } on 1st December 1852, at the age of 79.^[20] He was buried in Barnumtown{ XE "USA, Vermont, Addison, Barnumtown: :Sears, John (1773-1852)" \f "Place" }.^[20]

!S.P.May p.306 John Sears was apprenticed to Godfrey Stocks, a cordwainer of Schoharie, NY, and after learning his trade returned to VT, and died in Monkton. He was a man of considerable ability, and a great reader. !BIRTH: Letter from Carol Aldrich, Tulsa, OK, to Ray Sears, Duncan, OK; 1675-1989; Letter dtd 18 May 1994; ; copy in poss of Ray Sears, Duncan, OK;

²⁰ Ancestry.com, U.S., Find A Grave Index, 1600s-Current (Provo, UT, USA, Ancestry.com Operations, Inc., 2012), Ancestry.com.

<https://www.wikitree.com/wiki/Sears-4879>

<http://trees.ancestry.com/owt/person.aspx?pid=8786153&st=1>

Robert Lindsay Sutton

Raleigh, Wake, North Carolina, USA

Member since Aug 2002

I have a link between Betsey Chapman and John Sears, through the Wright family

04:04 AM 2 Mar 2020

Hi Robert this is very interesting. can you tell me about Betsy's parents? How is she connected to the Wrights? My Sears line is Richard-Paul-Paul-Edmund-Elkanah-William-Elkanah-Leslie-Les Jr

Regards,

L Ray Sears, III Oklahoma City LRSears@gmail.com

6. He married **Betsy Chapman**{ XE "Chapman:Betsy (1778-1842)" \f "Name" \b \i }.^[20] They had thirteen children: Edmund (1794-1803), Betsy (1796-1796), Harriet (1798-1847), Aurelia (1800-), Hiram (1802-), Caroline (1806-1872), Cassius (1808-1878), John (1810-1834), Emeline (1812-1842), Mary (1816-1841), Anna (1817-1881), Rufus (1818-1838) and Henry (1820-1894).

Betsy was born in perh, Hinesburg, Chittenden,{ XE "USA, Vermont, Chittenden, Hinesburg, perh: :Chapman, Betsy (1778-1842)" \f "Place" } in 1778.^[20] She reached 64 years of age and died in Monkton, Addison,{ XE "USA, Vermont, Addison, Monkton:(44.2201° N, 73.1254° W):Chapman, Betsy (1778-1842)" \f "Place" } on 28th October 1842.^[20] Betsy was buried in Barnumtown{ XE "USA, Vermont, Addison, Barnumtown: :Chapman, Betsy (1778-1842)" \f "Place" }.^[20]

BIRTH: Letter from Carol Aldrich, Tulsa, OK, to Ray Sears, Duncan, OK; 1675-1989; Letter dtd 18 May 1994; ; copy in poss of Ray Sears, Duncan, OK;

Children of John Sears and Betsy Chapman:

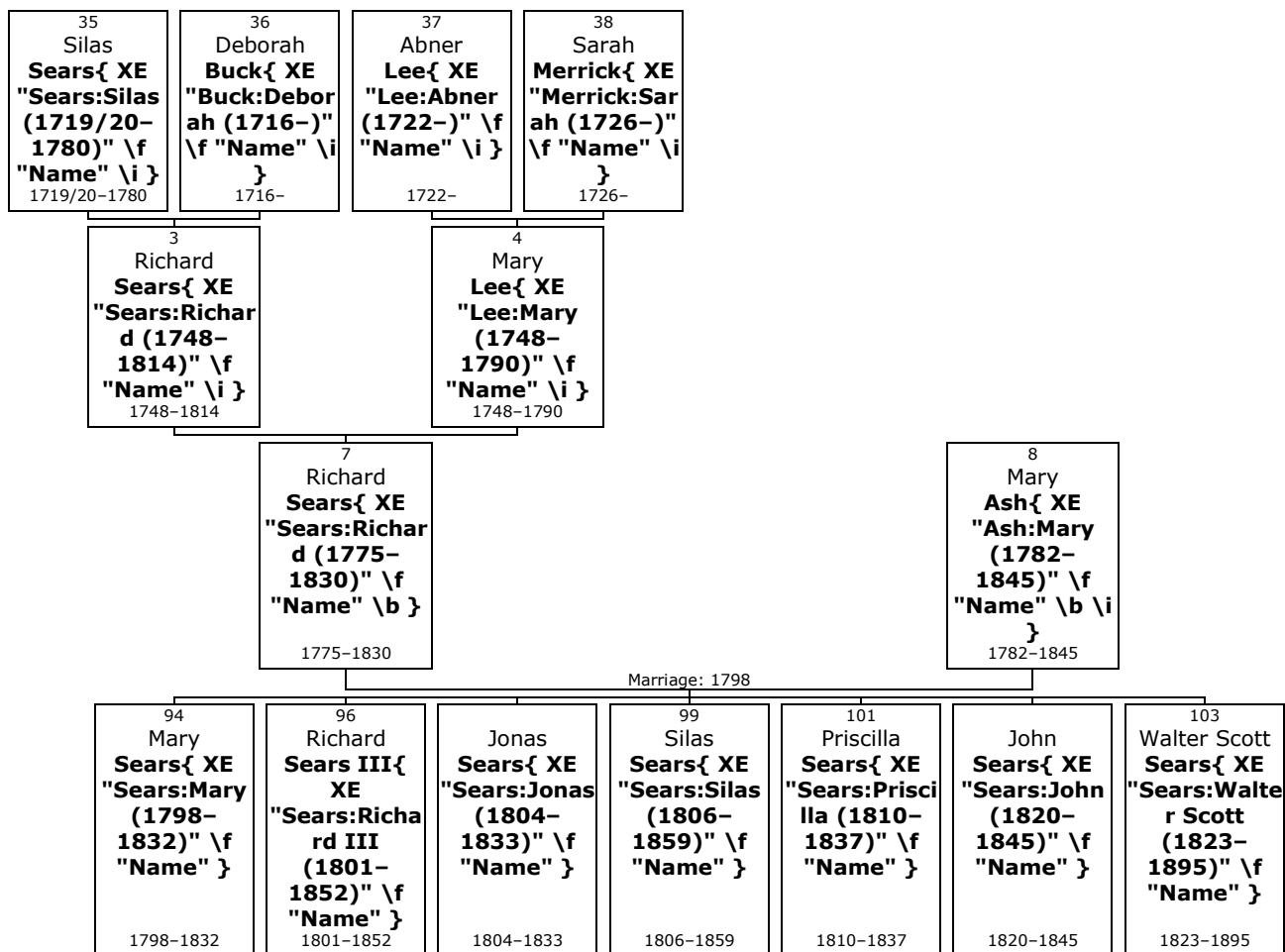
- | | | |
|------|-----|---|
| m | I. | Edmund⁵ Sears { XE "Sears:Edmund (1794-1803)" \f "Name" \b } was born in Hinesburg, Chittenden,{ XE "USA, Vermont, Chittenden, Hinesburg:(44.3292° N, 73.1107° W):Sears, Edmund (1794-1803)" \f "Place" } in 1794. He died in Charlotte{ XE "USA, Vermont, Chittenden, Charlotte:(44.3097° N, 73.2614° W):Sears, Edmund (1794-1803)" \f "Place" } in 1803 at the age of 9. |
| f | II. | Betsy Sears { XE "Sears:Betsy (1796-1796)" \f "Name" \b } was born in Hinesburg{ XE "USA, Vermont, Chittenden, Hinesburg:(44.3292° N, 73.1107° W):Sears, Betsy (1796-1796)" \f "Place" } in 1796. She died in 1796. |
| + 78 | f | III. Harriet Sears { XE "Sears:Harriet (1798-1847)" \f "Name" } was born in Hinesburg{ XE "USA, Vermont, Chittenden, Hinesburg:(44.3292° N, 73.1107° W):Sears, Harriet (1798-1847)" \f "Place" } on 7 th April 1798. She died in Hinesburg{ XE "USA, Vermont, Chittenden, Hinesburg:(44.3292° N, 73.1107° W):Sears, Harriet (1798-1847)" \f "Place" } on 22 nd November 1847, at the age of 49. |
| + 80 | f | IV. Aurelia Sears { XE "Sears:Aurelia (1800-)" \f "Name" } was born in Hinesburg{ XE "USA, Vermont, Chittenden, Hinesburg:(44.3292° N, 73.1107° W):Sears, Aurelia (1800-)" \f "Place" } in 1800. She died in Dickinson, Broome, New York{ XE "USA, New York, Broome, Dickinson:(42.129° N, 75.9086° W):Sears, Aurelia (1800-)" \f "Place" }. |
| + 82 | m | V. Hiram Sears { XE "Sears:Hiram (1802-)" \f "Name" } was born in Hinesburg{ XE "USA, Vermont, Chittenden, Hinesburg:(44.3292° N, 73.1107° W):Sears, Hiram (1802-)" \f "Place" } in 1802. He died in Washington, New York{ XE "USA, New York, Washington:(43.3201° N, 73.4306° W):Sears, Hiram (1802-)" \f "Place" }. |
| + 84 | f | VI. Caroline Sears { XE "Sears:Caroline (1806-1872)" \f "Name" } was born in Charlotte{ XE "USA, Vermont, Chittenden, Charlotte:(44.3097° N, 73.2614° W):Sears, Caroline (1806-1872)" \f "Place" } on 21 st October 1806. She died in Charlotte{ XE "USA, Vermont, Chittenden, Charlotte:(44.3097° N, 73.2614° W):Sears, Caroline (1806-1872)" \f "Place" } on 13 th January 1872, at the age of 65. ^[21] |

²¹ Ancestry.com, U.S., Find A Grave Index, 1600s-Current (Provo, UT, USA, Ancestry.com Operations, Inc., 2012), Record for Rev George Thomas Sutton. <http://search.ancestry.com/cgi-bin/sse.dll?db=60525&h=19256649&indiv=try>.

- + 86 m VII. **Cassius Sears**{ XE "Sears:Cassius (1808–1878)" \f "Name" } was born in Charlotte{ XE "USA, Vermont, Chittenden, Charlotte:(44.3097° N, 73.2614° W):Sears, Cassius (1808–1878)" \f "Place" } in 1808. He died in 1878 at the age of 70.
- m VIII. **John Sears**{ XE "Sears:John (1810–1834)" \f "Name" \b } was born in Charlotte{ XE "USA, Vermont, Chittenden, Charlotte:(44.3097° N, 73.2614° W):Sears, John (1810–1834)" \f "Place" } in 1810.^[20] He died in Monkton, Addison,{ XE "USA, Vermont, Addison, Monkton:(44.2201° N, 73.1254° W):Sears, John (1810–1834)" \f "Place" } on 27th February 1834, at the age of 24.^[20] John was buried in Barnumtown{ XE "USA, Vermont, Addison, Barnumtown: :Sears, John (1810–1834)" \f "Place" }.^[20]
- + 88 f IX. **Emeline Sears**{ XE "Sears:Emeline (1812–1842)" \f "Name" } was born in Hinesburg{ XE "USA, Vermont, Chittenden, Hinesburg:(44.3292° N, 73.1107° W):Sears, Emeline (1812–1842)" \f "Place" } in 1812. She died in Monkton, Addison,{ XE "USA, Vermont, Addison, Monkton:(44.2201° N, 73.1254° W):Sears, Emeline (1812–1842)" \f "Place" } on 9th March 1842, at the age of 30.
- f X. **Mary Elizabeth Sears**{ XE "Sears:Mary Elizabeth (1816–1841)" \f "Name" \b } was born in Hinesburg{ XE "USA, Vermont, Chittenden, Hinesburg:(44.3292° N, 73.1107° W):Sears, Mary Elizabeth (1816–1841)" \f "Place" } in 1816.^[20] She died in Monkton, Addison,{ XE "USA, Vermont, Addison, Monkton:(44.2201° N, 73.1254° W):Sears, Mary Elizabeth (1816–1841)" \f "Place" } on 17th October 1841, at the age of 25.^[20] Mary Elizabeth was buried in Barnumtown{ XE "USA, Vermont, Addison, Barnumtown: :Sears, Mary Elizabeth (1816–1841)" \f "Place" }.^[20]
- + 90 f XI. **Anna B Sears**{ XE "Sears:Anna B (1817–1881)" \f "Name" } was born in Hinesburg{ XE "USA, Vermont, Chittenden, Hinesburg:(44.3292° N, 73.1107° W):Sears, Anna B (1817–1881)" \f "Place" } on 17th February 1817. She died in Columbus, Franklin, Ohio,{ XE "USA, Ohio, Franklin, Columbus:(39.9612° N, 82.9988° W):Sears, Anna B (1817–1881)" \f "Place" } on 11th September 1881, at the age of 64.
- m XII. **Rufus Chapman Sears**{ XE "Sears:Rufus Chapman (1818–1838)" \f "Name" \b } was born in Hinesburg{ XE "USA, Vermont, Chittenden, Hinesburg:(44.3292° N, 73.1107° W):Sears, Rufus Chapman (1818–1838)" \f "Place" } on 15th December 1818.^[20] He died in Monkton, Addison,{ XE "USA, Vermont, Addison, Monkton:(44.2201° N, 73.1254° W):Sears, Rufus Chapman (1818–1838)" \f "Place" } on 29th August 1838, at the age of 19.^[20] Rufus Chapman was buried in Barnumtown{ XE "USA, Vermont, Addison, Barnumtown: :Sears, Rufus Chapman (1818–1838)" \f "Place" }.^[20]
- + 92 m XIII. **Henry Lee Sears**{ XE "Sears:Henry Lee (1820–1894)" \f "Name" } was born in Hinesburg{ XE "USA, Vermont, Chittenden, Hinesburg:(44.3292° N, 73.1107° W):Sears, Henry Lee (1820–1894)" \f "Place" } on 24th March 1820.^[20, 22] He died in Monkton, Addison,{ XE "USA, Vermont, Addison, Monkton:(44.2201° N, 73.1254° W):Sears, Henry Lee (1820–1894)" \f "Place" } on 2nd June 1894, at the age of 74.^[20]

²² Ancestry.com and The Church of Jesus Christ of Latter-day Saints, 1880 United States Federal Census (Provo, UT, USA, Ancestry.com Operations Inc, 2010), Ancestry.com, Year: 1880; Census Place: Monkton, Addison, Vermont; Roll: 1341; Family History Film: 1255341; Page: 164B; Enumeration District: 012.

Family of Richard Sears and Mary Ash{ TC "Richard Sears and Mary Ash" \I 3 \f C}



7. **Richard⁴ Sears**{ XE "Sears:Richard (1775-1830)" \f "Name" \b } (*Sergt Richard³, Silas²*) was born on Monday, 9th October 1775.^[23, 24] perh. Ashfield or Amherst, MA. He was the son of Richard Sears{ XE "Sears:Richard (1748-1814)" \f "Name" \i } (3) and Mary Lee{ XE "Lee:Mary (1748-1790)" \f "Name" \i } (4).

Richard died in Rome, Oneida, New York, USA,{ XE "USA, New York, Oneida, Rome:(43.2129° N, 75.4557° W):Sears, Richard (1775-1830)" \f "Place" } on 2nd May 1830, at the age of 54.^[24] He was buried. Old City Cem.

!S.P. May p.307 Richard removed with his father to the vicinity of Hoosick, Rens co., NY, and later to Rome, Oneida co., NY then known as Fort Stanwix, there being at that time but one house outside the fort; was a farmer, and a Methodist His wife was blind for many years previous to her death.

<https://www.wikitree.com/wiki/Sears-4880>

BIRTH: Letter from Carol Aldrich, Tulsa, OK, to Ray Sears, Duncan, OK; 1675-1989; Letter dtd 18 May 1994; ; copy in poss of Ray Sears, Duncan, OK; CONFLICT: She shows d. date as Nov

Email from jglen@pacifier.com 26 jul 2001 Mr Sears, I am writing on behalf of a prospective member of our DAR chapter. She has all her paperwork done but needs a reference and proof for the

²³ Ancestry.com, U.S., Sons of the American Revolution Membership Applications, 1889-1970 (Provo, UT, USA, Ancestry.com Operations, Inc., 2011), Ancestry.com, Volume: 252. [Source citation includes one media item]

²⁴ Ancestry.com, North America, Family Histories, 1500-2000 (Provo, UT, USA, Ancestry.com Operations, Inc., 2016), Ancestry.com, Book Title: Lineage Book : NSDAR : Volume 096 : 1912. [Source citation includes one media item]

birht/death/marriage of Mary Ash, wife of Richard Sears. Her name is Marion Selfen. Sue Glen 90329 Hawkins Rd Warrenton, OR 97146 Sent reply 6 Oct

8. Richard married **Mary Ash**{ XE "Ash:Mary (1782–1845)" \f "Name" \b \i } in February 1798.^[24] They had seven children: Mary (1798–1832), Richard (1801–1852), Jonas (1804–1833), Silas (1806–1859), Priscilla (1810–1837), John (1820–1845) and Walter (1823–1895).

Mary was born in Connecticut{ XE "USA, Connecticut:(41.5735° N, 72.7383° W):Ash, Mary (1782–1845)" \f "Place" } on Monday, 14th October 1782. She reached 62 years of age and died in Camden, Oneida, New York,{ XE "USA, New York, Oneida, Camden:(43.3345° N, 75.748° W):Ash, Mary (1782–1845)" \f "Place" } on 8th June 1845. Mary was buried. Westmoreland (PA?).

BIRTH: Letter from Carol Aldrich, Tulsa, OK, to Ray Sears, Duncan, OK; 1675-1989; Letter dtd 18 May 1994; ; copy in poss of Ray Sears, Duncan, OK; From: J. Glen [mailto:jglen@pacifier.com] Sent: Tuesday, July 24, 2001 8:53 PM To: LRSEARS@capecod.net Cc: pamc102@aol.com Subject: Mary Ash Dear Mr. Sears..... I am writing on behalf of Marion Selfen. She is an older woman who wishes to join our chapter of DAR and has hit a roadblock with Mary Ash, wife of Richard Sears. I saw in www.genealogy.org that you have her listed and have some information about her. Do you have a proof of her marriage, etc. that we can site as a reference on her DAR paperwork? If so, would you be willing to share it with us? Marion is getting very perplexed and has asked me for help. Being a New Englander myself I volunteered to help. I am a Marble-Staples- Shepard..... You may reach me at jglen@pacifier.com or 90329 Hawkins Rd. Warrenton, OR 97146 503 861-0574 Sue Glen

Children of Richard Sears and Mary Ash:

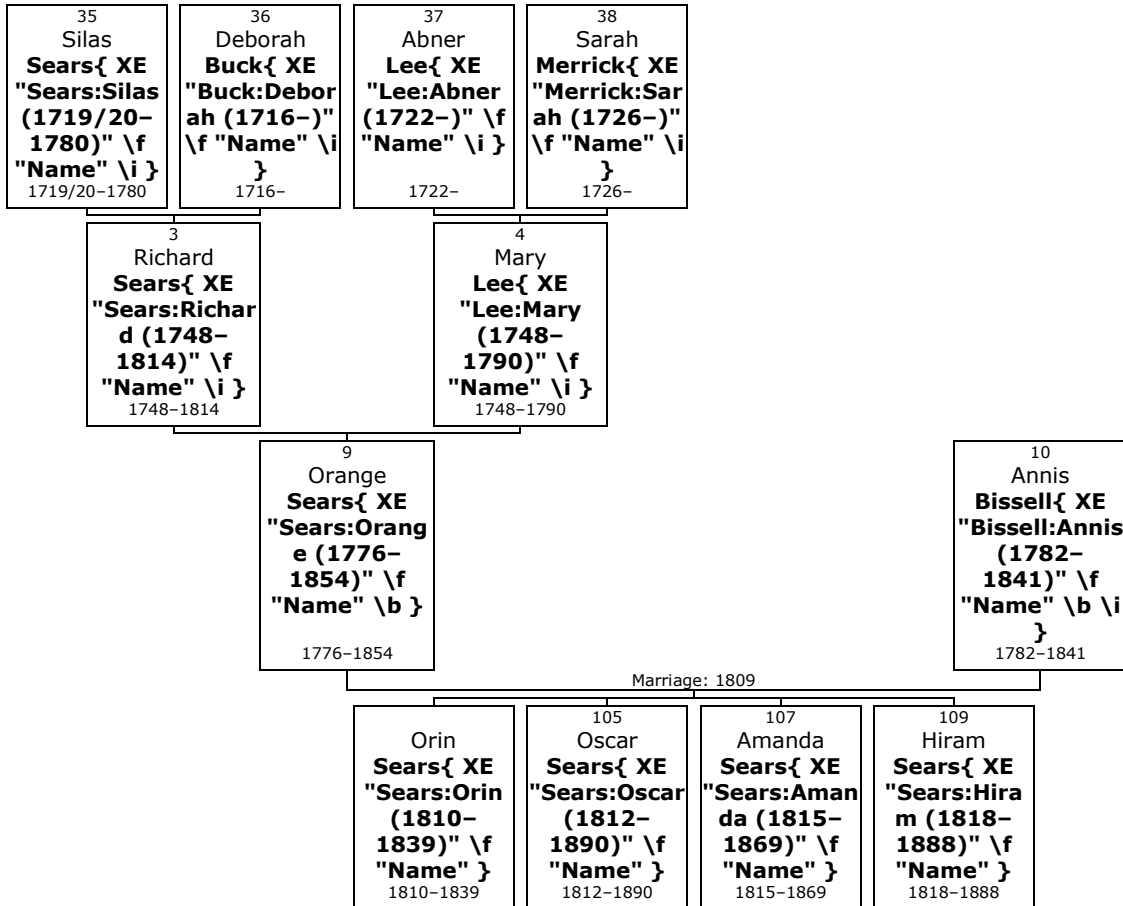
- + 94 f I. **Mary⁵ Sears**{ XE "Sears:Mary (1798–1832)" \f "Name" } was born in Rome{ XE "USA, New York, Oneida, Rome:(43.2129° N, 75.4557° W):Sears, Mary (1798–1832)" \f "Place" } on 25th December 1798. She died in Albany{ XE "USA, New York, Albany:(42.6029° N, 73.9717° W):Sears, Mary (1798–1832)" \f "Place" } on 27th July 1832, at the age of 33.
- + 96 m II. **Richard Sears III**{ XE "Sears:Richard III (1801–1852)" \f "Name" } was born in Rome{ XE "USA, New York, Oneida, Rome:(43.2129° N, 75.4557° W):Sears, Richard III (1801–1852)" \f "Place" } on 21st August 1801.^[23, 25] He died in Dundee, Kane, Illinois,{ XE "USA, Illinois, Kane, Dundee:(42.0976° N, 88.2786° W):Sears, Richard III (1801–1852)" \f "Place" } on 27th January 1852, at the age of 50.^[23]
- m III. **Jonas Sears**{ XE "Sears:Jonas (1804–1833)" \f "Name" \b } was born in Rome{ XE "USA, New York, Oneida, Rome:(43.2129° N, 75.4557° W):Sears, Jonas (1804–1833)" \f "Place" } on 24th February 1804. He died on 20th March 1833, at the age of 29.
- + 99 m IV. **Silas Sears**{ XE "Sears:Silas (1806–1859)" \f "Name" } was born in Rome{ XE "USA, New York, Oneida, Rome:(43.2129° N, 75.4557° W):Sears, Silas (1806–1859)" \f "Place" } on 8th August 1806.^[24] He died in Rome, Jefferson, Wisconsin,{ XE "USA, Wisconsin, Jefferson, Rome:(42.9803° N, 88.6312° W):Sears, Silas (1806–1859)" \f "Place" } on 20th August 1859, at the age of 53.^[24, 26]
- + 101 f V. **Priscilla Sears**{ XE "Sears:Priscilla (1810–1837)" \f "Name" } was born in Rome{ XE "USA, New York, Oneida, Rome:(43.2129° N, 75.4557° W):Sears, Priscilla (1810–1837)" \f "Place" } on 28th January 1810. She died in Henderson, Jefferson,{ XE "USA, New York, Jefferson, Henderson:(43.8469° N, 76.1822° W):Sears, Priscilla (1810–1837)" \f "Place" } on 7th January 1837, at the age of 26.
- m VI. **John Sears**{ XE "Sears:John (1820–1845)" \f "Name" \b } was born in Rome{ XE "USA, New York, Oneida, Rome:(43.2129° N, 75.4557° W):Sears, John (1820–1845)" \f "Place" } on 26th August 1820. He died in Rome{ XE "USA, New York, Oneida, Rome:(43.2129° N, 75.4557° W):Sears, John (1820–1845)" \f "Place" } on 20th August 1845, at the age of 24.
- + 103 m VII. **Walter Scott Sears**{ XE "Sears:Walter Scott (1823–1895)" \f "Name" } was born in Rome{ XE "USA, New York, Oneida, Rome:(43.2129° N, 75.4557° W):Sears, Walter Scott (1823–1895)" \f "Place" } on 19th October 1823. He died in Adrian, Lenawee,

²⁵ Ancestry.com, Iowa, Select Deaths and Burials, 1850-1990 (Provo, UT, USA, Ancestry.com Operations, Inc, 2014), Ancestry.com.

²⁶ Ancestry.com, U.S., Find A Grave Index, 1600s-Current (Provo, UT, USA, Ancestry.com Operations, Inc., 2012), Ancestry.com.

Michigan, { XE "USA, Michigan, Lenawee, Adrian:(41.8976° N, 84.0372° W):Sears, Walter Scott (1823–1895)" \f "Place" } on 29th May 1895, at the age of 71.

Family of Orange Sears and Annis Bissell { TC "Orange Sears and Annis Bissell" \I 3 \f C }



9. **Orange⁴ Sears** { XE "Sears:Orange (1776–1854)" \f "Name" \b } (*Sergt Richard³, Silas²*) was born on Wednesday, 4th December 1776, in Amherst, Hampshire, Massachusetts, USA { XE "USA, Massachusetts, Hampshire, Amherst:(42.3804° N, 72.5232° W):Sears, Orange (1776–1854)" \f "Place" }.^[27] He was the son of Richard Sears { XE "Sears:Richard (1748–1814)" \f "Name" \i } (3) and Mary Lee { XE "Lee:Mary (1748–1790)" \f "Name" \i } (4).

Orange died in Lyons { XE "USA, New York, Wayne, Lyons:(43.0642° N, 76.9902° W):Sears, Orange (1776–1854)" \f "Place" } in 1854 at the age of 77.

!S.P. May p.308 Orange was a wagon builder

!BIRTH: Letter from Carol Aldrich, Tulsa, OK, to Ray Sears, Duncan, OK; 1675-1989; Letter dtd 18 May 1994; ; copy in poss of Ray Sears, Duncan, OK; CONFLICT: shows death as 1804.

Mayflower Index; No. 29,999 Orange; spouse Annis (Bissell) Silliman; mother 21,367

More facts and events for Orange Sears:

Residence: 1850 Butler { XE "USA, New York, Wayne, Butler:(43.1701° N, 76.7661° W):Sears, Orange (1776–1854)" \f "Place" }^[27]

²⁷ Ancestry.com, 1850 United States Federal Census (Provo, UT, USA, Ancestry.com Operations, Inc., 2009), Ancestry.com, Year: 1850; Census Place: Butler, Wayne, New York; Roll: M432_613; Page: 319A; Image: 49. [Source citation includes one media item]

- 10.** Orange married **Annis Bissell**{ XE "Bissell:Annis (1782–1841)" \f "Name" \b \i } in 1809 in Valley Falls, Rensselaer{ XE "USA, New York, Rensselaer, Valley Falls:(42.9034° N, 73.5626° W):Sears, Orange (1776–1854)" \f "Place" }. They had four children: Orin (1810–1839), Oscar (1812–1890), Amanda (1815–1869) and Hiram (1818–1888).

Annis was born in Litchfield, Connecticut,{ XE "USA, Connecticut, Litchfield:(41.7948° N, 73.2446° W):Bissell, Annis (1782–1841)" \f "Place" } on Monday, 29th July 1782.^[28] She reached 59 years of age and died in West Butler, Butler, Wayne, New York,{ XE "USA, New York, Wayne, Butler, West Butler: :Bissell, Annis (1782–1841)" \f "Place" } on 17th September 1841.^[28]

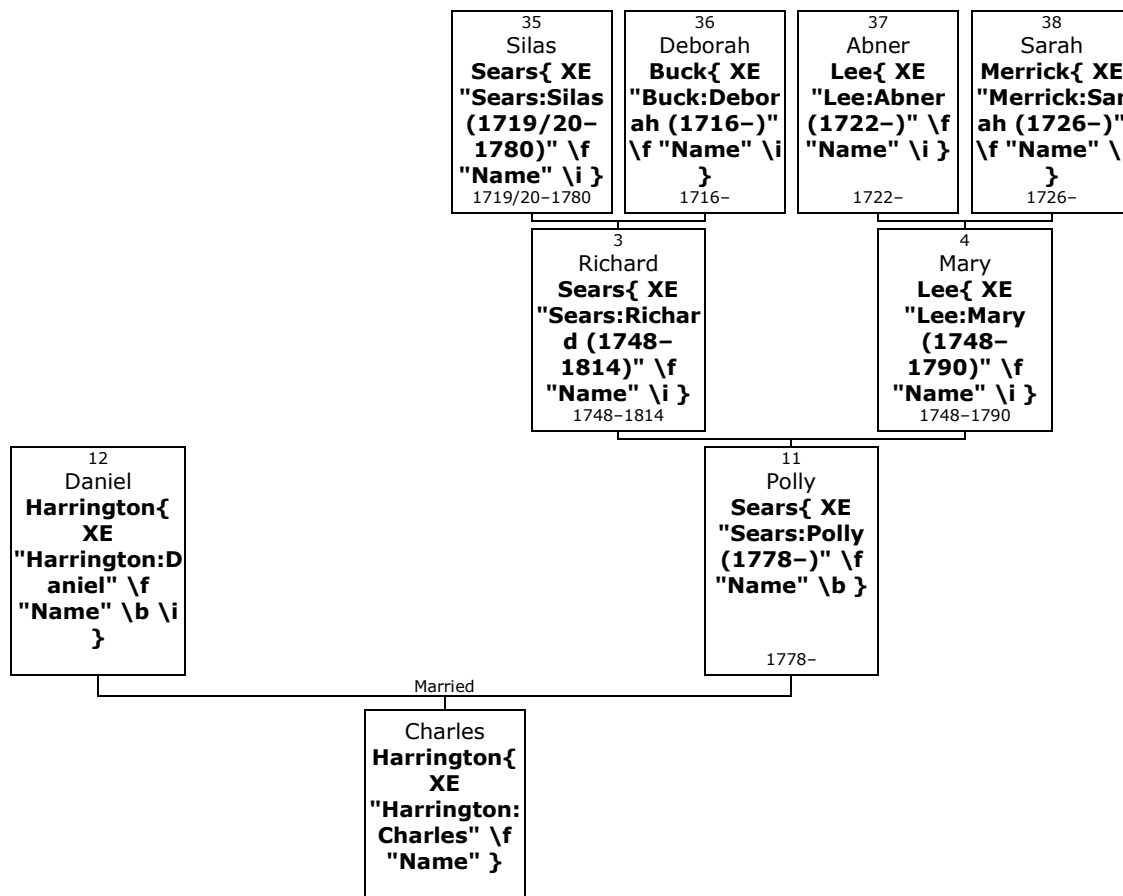
Children of Orange Sears and Annis Bissell:

- | | | | |
|-------|---|------|--|
| | m | I. | Orin⁵ Sears { XE "Sears:Orin (1810–1839)" \f "Name" \b } was born in Valley Falls, Schaghticoke,{ XE "USA, New York, Rensselaer, Schaghticoke, Valley Falls: :Sears, Orin (1810–1839)" \f "Place" } on 27 th November 1810. He died in August 1839 at the age of 28. |
| + 105 | m | II. | Oscar Sears { XE "Sears:Oscar (1812–1890)" \f "Name" } was born in Arlington, Bennington, Vermont,{ XE "USA, Vermont, Bennington, Arlington:(43.0748° N, 73.154° W):Sears, Oscar (1812–1890)" \f "Place" } on 23 rd June 1812. ^[29] He died in Erie, Pennsylvania,{ XE "USA, Pennsylvania, Erie:(42.1034° N, 80.1041° W):Sears, Oscar (1812–1890)" \f "Place" } on 14 th September 1890, at the age of 78. ^[29] |
| + 107 | f | III. | Amanda Sears { XE "Sears:Amanda (1815–1869)" \f "Name" } was born in Valley Falls, Rensselaer, New York,{ XE "USA, New York, Rensselaer, Valley Falls:(42.9034° N, 73.5626° W):Sears, Amanda (1815–1869)" \f "Place" } on 1 st March 1815. She died on 12 th October 1869, at the age of 54. |
| + 109 | m | IV. | Hiram Sears { XE "Sears:Hiram (1818–1888)" \f "Name" } was born in Valley Falls{ XE "USA, New York, Rensselaer, Valley Falls:(42.9034° N, 73.5626° W):Sears, Hiram (1818–1888)" \f "Place" } on 17 th July 1818. He died in 1888 at the age of 69. |

²⁸ "Ancestry Family Tree", Record for Oscar SEARS-<https://www.ancestry.com/family-tree/person/tree/91084582/person/76023619952/facts-tree-of-joy1948>.
<https://familysearch.org/ark:/61903/1:1:FC1M-2CS>.

²⁹ Ancestry.com, U.S., Find A Grave Index, 1600s-Current (Provo, UT, USA, Ancestry.com Operations, Inc., 2012), Ancestry.com.

Family of Polly Sears and Daniel Harrington{ TC "Polly Sears and Daniel Harrington" \i 3 \f C}



- 11.** **Polly⁴ Sears**{ XE "Sears:Polly (1778-)" \f "Name" \b } (*Sergt Richard³, Silas²*) was born in 1778 in perh, Amherst, Hampshire, Massachusetts, USA{ XE "USA, Massachusetts, Hampshire, Amherst, perh: :Sears, Polly (1778-)" \f "Place" }. She was the daughter of Richard Sears{ XE "Sears:Richard (1748-1814)" \f "Name" \i } (3) and Mary Lee{ XE "Lee:Mary (1748-1790)" \f "Name" \i } (4).

!S.P. May p.188 Rem'd to Albany, NY

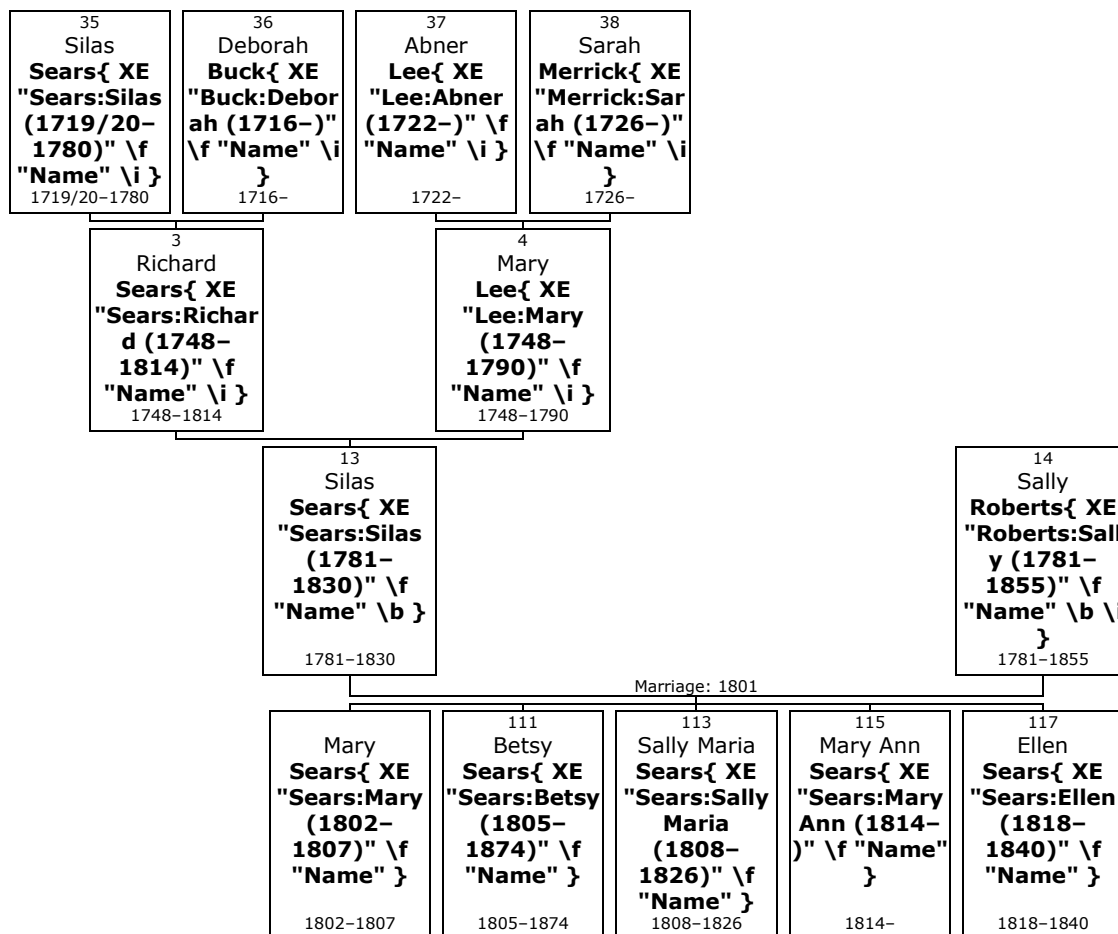
BIRTH: Letter from Carol Aldrich, Tulsa, OK, to Ray Sears, Duncan, OK; 1675-1989; Letter dtd 18 May 1994; ; copy in poss of Ray Sears, Duncan, OK;

- 12.** She married **Daniel Harrington**{ XE "Harrington:Daniel" \f "Name" \b \i }.

Son of Polly Sears and Daniel Harrington:

m I. **Charles⁵ Harrington**{ XE "Harrington:Charles" \f "Name" \b }.

Family of Silas Sears and Sally Roberts{ TC "Silas Sears and Sally Roberts" \I 3 \f C}



13. Silas⁴ Sears{ XE "Sears:Silas (1781-1830)" \f "Name" \b } (*Sergt Richard³, Silas²*) was born on Saturday, 10th February 1781, in Massachusetts, USA{ XE "USA, Massachusetts:(42.1562° N, 71.5662° W):Sears, Silas (1781-1830)" \f "Place" }. He was the son of Richard Sears{ XE "Sears:Richard (1748-1814)" \f "Name" \i } (3) and Mary Lee{ XE "Lee:Mary (1748-1790)" \f "Name" \i } (4).

Silas died in Orwell, Bradford, Pennsylvania,{ XE "USA, Pennsylvania, Bradford, Orwell:(41.8839° N, 76.2775° W):Sears, Silas (1781-1830)" \f "Place" } on 1st April 1830, at the age of 49. He was buried. Town Cem'y, gr-st.

<https://www.wikitree.com/wiki/Sears-3948> fix wikitree

!S.P. May p.188 Silas rem with his parents to Hoosick, was a wagonmaker by trade and a preacher in the Baptist Church. He is said to have removed to South- western OH, married and had a family, but it is believed no sons.

!May handnotes: Silas Sears emigrated with his parents to New York state, and settled near Schoharie, where all his children were born. He removed to Orwell, Bradford co, PA in 1829. He was a wagonmaker by trade, and a Methodist in religion. His residence was near the Presbyterian church in Orwell. His will dated 20 Feb 1830, & proved 30 Apr 1830, names wife Sally, and daus. Mary Ann, Betsy Gray, Elly & Emeline. His heirs preserve some relics, furniture, books, etc., which belonged to their gr-father, Richard Sears.

14. Silas married **Sally Roberts**{ XE "Roberts:Sally (1781-1855)" \f "Name" \b \i } in 1801 in Brunswick, Rensselaer, New York{ XE "USA, New York, Rensselaer, Brunswick:(42.7358° N, 73.5619° W):Sears, Silas (1781-1830)" \f "Place" }. They had five daughters: Mary (1802-1807), Betsy (1805-1874), Sally (1808-1826), Mary (1814-) and Ellen (1818-1840).

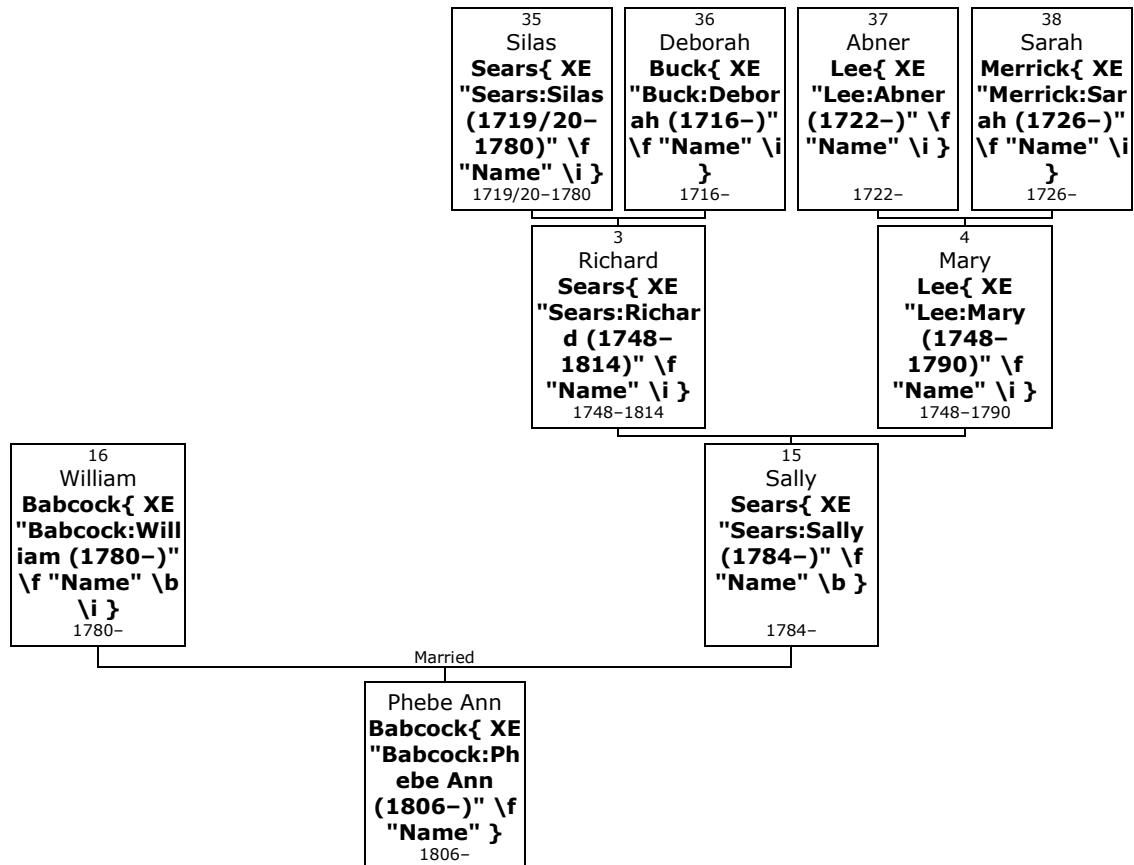
Sally was born in Albany{ XE "USA, New York, Albany:(42.6029° N, 73.9717° W):Roberts, Sally (1781-1855)" \f "Place" } on Saturday, 10th March 1781. She reached 74 years of age and died in Dimock, Susquehanna, Pennsylvania,{ XE "USA, Pennsylvania, Susquehanna, Dimock:(41.7464° N, 75.8986° W):Roberts, Sally (1781-1855)" \f "Place" } on 20th September 1855.

!S.P. May handnote d. at dau. Betsy Gray's residence

Daughters of Silas Sears and Sally Roberts:

- f I. **Mary⁵ Sears**{ XE "Sears:Mary (1802-1807)" \f "Name" \b } was born in perh, Brunswick,{ XE "USA, New York, Rensselaer, Brunswick, perh: :Sears, Mary (1802-1807)" \f "Place" } on 8th August 1802. She died on 5th August 1807, at the age of 4.
- + 111 f II. **Betsy Sears**{ XE "Sears:Betsy (1805-1874)" \f "Name" } was born in Schoharie, Schoharie,{ XE "USA, New York, Schoharie, Schoharie:(42.6659° N, 74.3096° W):Sears, Betsy (1805-1874)" \f "Place" } on 22nd November 1805.^[30] She died in Dimock, Susquehanna, Pennsylvania,{ XE "USA, Pennsylvania, Susquehanna, Dimock:(41.7464° N, 75.8986° W):Sears, Betsy (1805-1874)" \f "Place" } on 4th February 1874, at the age of 68.
- + 113 f III. **Sally Maria Sears**{ XE "Sears:Sally Maria (1808-1826)" \f "Name" } was born in Schoharie{ XE "USA, New York, Schoharie, Schoharie:(42.6659° N, 74.3096° W):Sears, Sally Maria (1808-1826)" \f "Place" } on 4th April 1808. She died in Shelby, Macomb, Michigan,{ XE "USA, Michigan, Macomb, Shelby:(42.6709° N, 83.033° W):Sears, Sally Maria (1808-1826)" \f "Place" } on 9th February 1826, at the age of 17.
- + 115 f IV. **Mary Ann Sears**{ XE "Sears:Mary Ann (1814-)" \f "Name" } was born in Schoharie{ XE "USA, New York, Schoharie, Schoharie:(42.6659° N, 74.3096° W):Sears, Mary Ann (1814-)" \f "Place" } on 30th July 1814.
- + 117 f V. **Ellen Sears**{ XE "Sears:Ellen (1818-1840)" \f "Name" } was born in Schoharie{ XE "USA, New York, Schoharie, Schoharie:(42.6659° N, 74.3096° W):Sears, Ellen (1818-1840)" \f "Place" } on 18th March 1818. She died on 3rd October 1840, at the age of 22.

Family of Sally Sears and William Babcock{ TC "Sally Sears and William Babcock" \I 3 \f C}



³⁰ Ancestry.com, Pennsylvania, Death Certificates, 1906-1963 (Provo, UT, USA, Ancestry.com Operations, Inc., 2014), Ancestry.com, Pennsylvania Historic and Museum Commission; Pennsylvania, USA; Pennsylvania, Death Certificates, 1906-1965; Certificate Number Range: 013880-017234. Record for Jonas A Gray. <http://search.ancestry.com/cgi-bin/sse.dll?db=5164&h=2552583&indiv=try>.

- 15. Sally⁴ Sears**{ XE "Sears:Sally (1784-)" \f "Name" \b } (*Sergt Richard³, Silas²*) was born in 1784 at perhaps in Massachusetts, USA{ XE "USA, Massachusetts:(42.1562° N, 71.5662° W):Sears, Sally (1784-)" \f "Place" }.^[31] She was the daughter of Richard Sears{ XE "Sears:Richard (1748-1814)" \f "Name" \i } (3) and Mary Lee{ XE "Lee:Mary (1748-1790)" \f "Name" \i } (4).

S P May No 868 d. unm. ?? or did she marry Wm Babcock and have a daughter

<https://www.ancestry.com/family-tree/person/tree/50202118/person/13051678080/facts>

- 16.** She married **William Babcock**{ XE "Babcock:William (1780-)" \f "Name" \b \i }. They had one daughter: Phebe (1806-).

William was born in 1780.

!S.P. May hand note p.188 He was a Rev'y soldier, and after his death Sally lived with her daughter until her death.

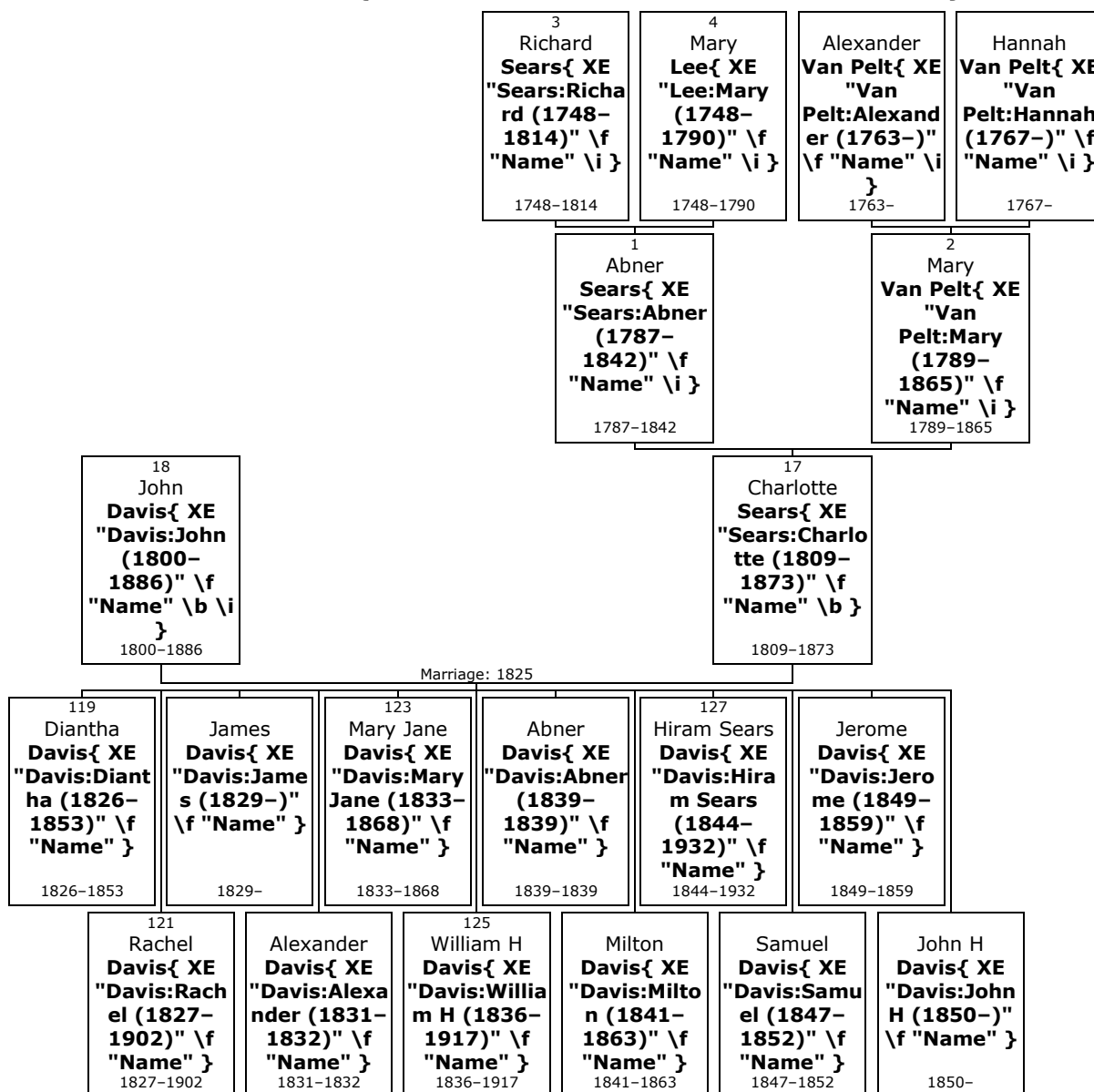
Daughter of Sally Sears and William Babcock:

- f I. **Phebe Ann⁵ Babcock**{ XE "Babcock:Phebe Ann (1806-)" \f "Name" \b } was born at Berus in New York{ XE "USA, New York:(42.7531° N, 74.2224° W):Babcock, Phebe Ann (1806-)" \f "Place" } in 1806.

³¹ FamilySearch.org, FamilySearch Family Tree, FamilySearch, "Family Tree," database, <i>FamilySearch</i> (<http://familysearch.org> : modified 29 June 2015, 16:52), entry for Sally Sears(PID <https://familysearch.org/ark:/61903/4:1:LK71-WD9>); contributed by various users. PersonID LK71-WD9. Sally Sears. <https://familysearch.org/ark:/61903/4:1:LK71-WD9>.

Children{ TC "Children" \I 2 \f C}

Family of Charlotte Sears and John Davis{ TC "Charlotte Sears and John Davis" \I 3 \f C}



17. **Charlotte⁵ Sears**{ XE "Sears:Charlotte (1809-1873)" \f "Name" \b } (*Abner⁴, Sergt Richard³, Silas²*) was born on Sunday, 9th July 1809, in Rensselaer, New York, USA{ XE "USA, New York, Rensselaer:(42.7098° N, 73.5139° W):Sears, Charlotte (1809-1873)" \f "Place" }.^[32, 33, 34-35] She was the daughter of Abner

³² Ancestry.com, Illinois, Deaths and Stillbirths Index, 1916-1947 (Provo, UT, USA, Ancestry.com Operations, Inc., 2011), Ancestry.com, Record for William H. Davis. <http://search.ancestry.com/cgi-bin/sse.dll?db=2542&h=955907&indiv=try>.

³³ Ancestry.com, U.S., Find A Grave Index, 1600s-Current (Provo, UT, USA, Ancestry.com Operations, Inc., 2012), Ancestry.com, Record for Hiram Sears Davis. <http://search.ancestry.com/cgi-bin/sse.dll?db=60525&h=91279155&indiv=try>.

³⁴ Ancestry.com, Web: Illinois, Find A Grave Index, 1809-2012 (Provo, UT, USA, Ancestry.com Operations, Inc., 2012), Ancestry.com.

³⁵ Ancestry.com, Massachusetts, Marriage Records, 1840-1915 (Provo, UT, USA, Ancestry.com Operations, Inc., 2013), Ancestry.com, New England Historic Genealogical Society; Boston, Massachusetts; Massachusetts Vital Records, 1911-1915. Record for Mary Jane Davis. <http://search.ancestry.com/cgi-bin/sse.dll?db=2511&h=16775034&indiv=try>. [Source citation includes one media item]

Sears{ XE "Sears:Abner (1787-1842)" \f "Name" \i } (1) and Mary Van Pelt{ XE "Van Pelt:Mary (1789-1865)" \f "Name" \i } (2).

Charlotte died in Mount Pleasant, Whiteside, Illinois,{ XE "USA, Illinois, Whiteside, Mount Pleasant: :Sears, Charlotte (1809-1873)" \f "Place" } on 16th April 1873, at the age of 63.^[33, 34] She was buried in Fargo, Brown{ XE "USA, Illinois, Brown, Fargo: :Sears, Charlotte (1809-1873)" \f "Place" }.^[33, 34]

!S.P. May No 1930 p.309 rem. with her parents to Yankeetown, OH, in the fall of 1818. Was a member of Meth Ch., Mt Pleasant, IL

<https://www.wikitree.com/wiki/Sears-1323>

From: Davis, Daniel J (Daniel) [mailto:djdavis@avaya.com] Sent: Tuesday, November 04, 2003 9:45 AM
To: LRSEARS@Cox.net

!Subject: Sears Family I was wondering what is on the Sears Family Association cd, specifically if it included the family tree from Richard Sears on down with the sources. I am a descendent of John Davis and Charlotte Sears and have been putting my family tree together when I ran into all the Sears family info. Thanks Dan Davis

Avaya, Inc Office 720-444-5000 x18454 Fax 720-444-5134 djdavis@avaya.com

More facts and events for Charlotte Sears:

Residence: 1850 Brown{ XE "USA, Illinois, Brown:(39.9544° N, 90.7505° W):Sears, Charlotte (1809-1873)" \f "Place" }

Residence: 1860 Lee, Brown{ XE "USA, Illinois, Brown, Lee:(41.7951° N, 88.9409° W):Sears, Charlotte (1809-1873)" \f "Place" }

Residence: 1870 Illinois{ XE "USA, Illinois:(39.7333° N, 88.5° W):Sears, Charlotte (1809-1873)" \f "Place" }

- 18.** At the age of 15, Charlotte married **John Davis**{ XE "Davis:John (1800-1886)" \f "Name" \b \i } on Sunday, 24th April 1825, in Yankeetown, Madison, Fayette, Ohio,{ XE "USA, Ohio, Fayette, Madison, Yankeetown: :Sears, Charlotte (1809-1873)" \f "Place" } when he was 25 years old.^[32, 33, 35] They had twelve children: Diantha (1826-1853), Rachel (1827-1902), James (1829-), Alexander (1831-1832), Mary (1833-1868), William (1836-1917), Abner (1839-1839), Milton (1841-1863), Hiram (1844-1932), Samuel (1847-1852), Jerome (1849-1859) and John (1850-).

John was born in Pickaway{ XE "USA, Ohio, Pickaway:(39.6396° N, 83.0323° W):Davis, John (1800-1886)" \f "Place" } on Friday, 24th January 1800.^[32, 33] He reached 86 years of age and died in Mount Pleasant, Whiteside,{ XE "USA, Illinois, Whiteside, Mount Pleasant: :Davis, John (1800-1886)" \f "Place" } on 21st February 1886.^[33] John was buried at Fargo in Brown{ XE "USA, Illinois, Brown:(39.9544° N, 90.7505° W):Davis, John (1800-1886)" \f "Place" }.^[33]

!S.P. May p.309 A farmer and a Methodist

More facts and events for John Davis:

Residence: 1850 Brown{ XE "USA, Illinois, Brown:(39.9544° N, 90.7505° W):Davis, John (1800-1886)" \f "Place" }

Residence: 1860 Lee, Brown{ XE "USA, Illinois, Brown, Lee:(41.7951° N, 88.9409° W):Davis, John (1800-1886)" \f "Place" }

Residence: 1870 Illinois{ XE "USA, Illinois:(39.7333° N, 88.5° W):Davis, John (1800-1886)" \f "Place" }

Residence: 1880 Lee, Brown, Illinois{ XE "USA, Illinois, Brown, Lee:(41.7951° N, 88.9409° W):Davis, John (1800-1886)" \f "Place" }

Children of Charlotte Sears and John Davis:

- + 119 f I. **Diantha⁶ Davis**{ XE "Davis:Diantha (1826-1853)" \f "Name" } was born on 22nd July 1826. She died on 23rd October 1853, at the age of 27.
- + 121 f II. **Rachel Davis**{ XE "Davis:Rachel (1827-1902)" \f "Name" } was born in Fayette{ XE "USA, Ohio, Fayette:(39.5647° N, 83.4508° W):Davis, Rachel (1827-1902)" \f "Place" }

- on 28th November 1827.^[36, 37-38] She died in Springville, Utah, Utah, { XE "USA, Utah, Utah, Springville:(40.1652° N, 111.6107° W):Davis, Rachel (1827-1902)" \f "Place" } on 16th November 1902, at the age of 74.^[36]
- m III. **James Davis**{ XE "Davis:James (1829-)" \f "Name" \b } was born on 2nd September 1829.
- m IV. **Alexander Davis**{ XE "Davis:Alexander (1831-1832)" \f "Name" \b } was born on 20th November 1831. He died on 20th August 1832.
- + 123 f V. **Mary Jane Davis**{ XE "Davis:Mary Jane (1833-1868)" \f "Name" } was born on 8th September 1833.^[35] She died on 16th June 1868, at the age of 34.
- + 125 m VI. **William H Davis**{ XE "Davis:William H (1836-1917)" \f "Name" } was born in Illinois{ XE "USA, Illinois:(39.7333° N, 88.5° W):Davis, William H (1836-1917)" \f "Place" } on 9th December 1836.^[32] He died in Lee, Brown, Illinois,{ XE "USA, Illinois, Brown, Lee:(41.7951° N, 88.9409° W):Davis, William H (1836-1917)" \f "Place" } on 22nd February 1917, at the age of 80.^[32]
- m VII. **Abner Davis**{ XE "Davis:Abner (1839-1839)" \f "Name" \b } was born on 15th January 1839. He died on 28th January 1839.
- m VIII. **Milton Davis**{ XE "Davis:Milton (1841-1863)" \f "Name" \b } was born on 13th October 1841. He died on 17th August 1863, at the age of 21.
- + 127 m IX. **Hiram Sears Davis**{ XE "Davis:Hiram Sears (1844-1932)" \f "Name" } was born in Mount Sterling, Brown, Illinois,{ XE "USA, Illinois, Brown, Mount Sterling:(39.9873° N, 90.7635° W):Davis, Hiram Sears (1844-1932)" \f "Place" } on 22nd March 1844.^[33, 39] He was also known as **Hiram S Davis**{ XE "Davis:Hiram S (Hiram S. Davis) (1844-1932)" \f "Name" }.^[39]
Hiram Sears died in Joplin, Jasper, Missouri,{ XE "USA, Missouri, Jasper, Joplin:(37.0842° N, 94.5131° W):Davis, Hiram Sears (1844-1932)" \f "Place" } on 19th February 1932, at the age of 87.^[33]
- m X. **Samuel Davis**{ XE "Davis:Samuel (1847-1852)" \f "Name" \b } was born on 28th January 1847. He died on 20th January 1852, at the age of 4.
- m XI. **Jerome Davis**{ XE "Davis:Jerome (1849-1859)" \f "Name" \b } was born on 26th February 1849. He died on 11th March 1859, at the age of 10.
- m XII. **John H Davis**{ XE "Davis:John H (1850-)" \f "Name" \b } was born on 23rd March 1850.

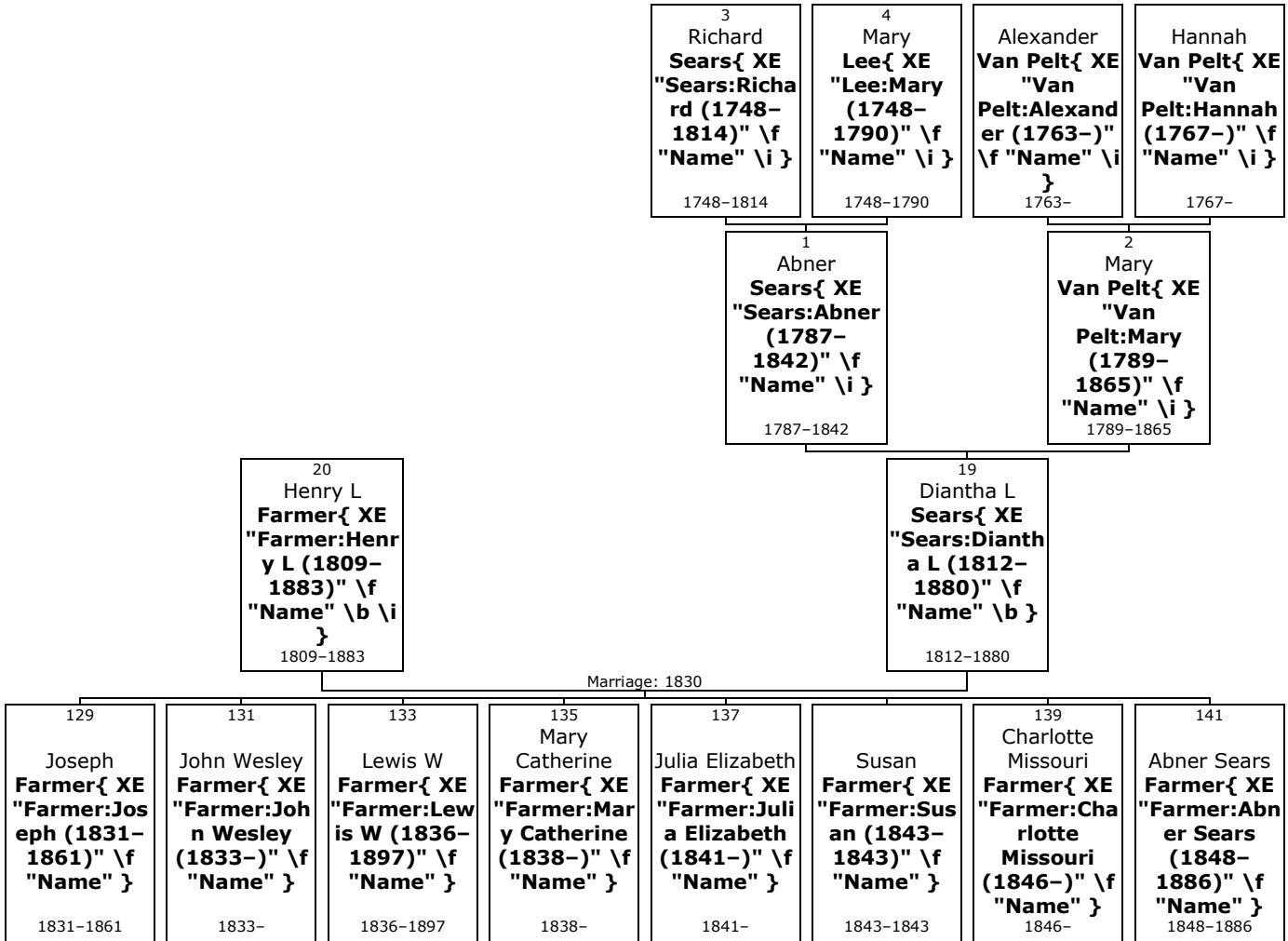
³⁶ FamilySearch.org, FamilySearch Family Tree, FamilySearch, "Family Tree," database, <i>FamilySearch</i> (<http://familysearch.org> : modified 25 November 2018, 03:47), entry for Rachel Davis(PID <https://familysearch.org/ark:/61903/4:1:KCVB-HGY>); contributed by various users. PersonID KCVB-HGY. Rachel Davis. <https://familysearch.org/ark:/61903/4:1:KCVB-HGY>.

³⁷ FamilySearch.org, FamilySearch Family Tree, FamilySearch, Transcription of headstone image from billiongraves.com. Image taken at Marlboro Friends Meeting (New Market, North Carolina, United States) on 08 November 2013. Headstone image of Rachel Davis from billiongraves.com. https://billiongraves.com/grave/Rachel-Davis/5819714?utm_campaign=treeconnect&utm_source=familysearch.org&utm_medium=sourcelink.

³⁸ FamilySearch.org, FamilySearch Family Tree, FamilySearch, "United States Census, 1860," database with images, <i>FamilySearch</i> (<https://familysearch.org/ark:/61903/1:1:MX41-87W> : 13 December 2017), R Beckman in entry for P Beckman, 1860. R Beckman in household of P Beckman, "United States Census, 1860". <https://familysearch.org/ark:/61903/1:1:MX41-87W>.

³⁹ Ancestry.com, 1900 United States Federal Census (Provo, UT, USA, Ancestry.com Operations Inc, 2004), Ancestry.com, Year: 1900; Census Place: Galena Ward 1, Cherokee, Kansas; Page: 6; Enumeration District: 0019; FHL microfilm: 1240473. Record for H T Davis. <http://search.ancestry.com/cgi-bin/sse.dll?db=7602&h=4607324&indiv=try>.

Family of Diantha Sears and Henry Farmer{ TC "Diantha Sears and Henry Farmer" \I 3 \f C}



19. Diantha L⁵ Sears{ XE "Sears:Diantha L (1812-1880)" \f "Name" \b } (*Abner⁴, Sergt Richard³, Silas²*) was born on Monday, 30th March 1812, in Duanesburg, Schenectady, New York, USA{ XE "USA, New York, Schenectady, Duanesburg:(42.762° N, 74.1337° W):Sears, Diantha L (1812-1880)" \f "Place" }.^[40, 41] She was the daughter of Abner Sears{ XE "Sears:Abner (1787-1842)" \f "Name" \i } (1) and Mary Van Pelt{ XE "Van Pelt:Mary (1789-1865)" \f "Name" \i } (2).

Diantha L died at Ewart in Pleasant Twp{ XE "USA, Iowa, Poweshiek, Pleasant Twp:(40.6328° N, 92.9256° W):Sears, Diantha L (1812-1880)" \f "Place" } in 1880 at the age of 67.^[41]

!S.P. May No 1932 p.310 rem. with her parents to Madison, OH, in 1818. rem. to Warsaw, IN, 1837; to Montezuma, IA, in 1856; lives near Montezuma, and is a faithful member of United Brethren Ch.

From: Tracie Breidenthal [mailto:tbreidenthal@yahoo.com] Sent: Sunday, January 21, 2007 9:47 PMTO: lrsears@capecod.net

!Subject: sears ancestry Hi Ray,I saw your e-mail address on the list of Richard Sears descendants page. I am a descendant through Diantha Sears (daughter of Abner and Mary Van Pelt), and am curious !how the founder of Sears Roebuck Co. fits into this whole Sears line. I can't find him in your list anywhere. He is the son of James Warren Sears, but I don't see him either. Is he related to this line? Also, I noticed that Silas

⁴⁰ Ancestry.com, 1870 United States Federal Census (Provo, UT, USA, Ancestry.com Operations, Inc., 2009), Ancestry.com, Year: 1870; Census Place: Union, Poweshiek, Iowa; Roll: M593_417; Page: 408B; Family History Library Film: 545916. Record for Abner S Farmer. <http://search.ancestry.com/cgi-bin/sse.dll?db=7163&h=21379032&indiv=try>. [Source citation includes one media item]

⁴¹ "Ancestry Family Tree", Record for Lewis W Farmer. <http://search.ancestry.com/cgi-bin/sse.dll?db=1030&h=150024926140&indiv=try>.

(born 1719) Sears' wife, Deborah Buck, was the daughter of John Buck and Phebe Sears. How does Phebe fit into this line? Who was she the daughter of? Is there a Mayflower connection anywhere in the Sears family that you know of? What ship did Richard Sears come on to Massachusetts? Thanks.

<https://www.wikitree.com/wiki/Sears-1325>

* Van Pelt Genealogy by Ella E. Van Pelt Tilden

* {{Find A Grave|159028600}}

More facts and events for Diantha L Sears:

Residence: 1870 Montezuma{ XE "USA, Iowa, Poweshiek, Montezuma:(41.5858° N, 92.5274° W):Sears, Diantha L (1812–1880)" \f "Place" }^[40]
Age: 58; CannotRead: Y; CannotWrite: Y; Occupation: House Wife/Union

- 20.** At the age of 18, Diantha L married **Henry L Farmer**{ XE "Farmer:Henry L (1809–1883)" \f "Name" \b \i } on Thursday, 14th October 1830, in Yankeetown, Madison, Fayette, Ohio,{ XE "USA, Ohio, Fayette, Madison, Yankeetown: :Sears, Diantha L (1812–1880)" \f "Place" } when he was 21 years old.^[40, 41] They had eight children: Joseph (1831–1861), John (1833–), Lewis (1836–1897), Mary (1838–), Julia (1841–), Susan (1843–1843), Charlotte (1846–) and Abner (1848–1886).

Henry L was born in Chillicothe, Ross,{ XE "USA, Ohio, Ross, Chillicothe:(39.3331° N, 82.9824° W):Farmer, Henry L (1809–1883)" \f "Place" } on Wednesday, 19th July 1809.^[40, 41] He reached 74 years of age and died at Ewart in Pleasant Twp{ XE "USA, Iowa, Poweshiek, Pleasant Twp:(40.6328° N, 92.9256° W):Farmer, Henry L (1809–1883)" \f "Place" } on 25th July 1883.^[41]

!S.P. May p.310 Rem to Warsaw, IN, 1837; to Montezuma, IA, in 1856; he was a farmer, and an honored member and officer of the United Brethren Church

More facts and events for Henry L Farmer:

Residence: 1870 Montezuma{ XE "USA, Iowa, Poweshiek, Montezuma:(41.5858° N, 92.5274° W):Farmer, Henry L (1809–1883)" \f "Place" }^[40]
Age: 61; CannotRead: Y; CannotWrite: Y; MaleCitizenOverTwentyone: Y; PersonalEstateValue: 600; RealEstateValue: 3500; Occupation: Farmer/Union

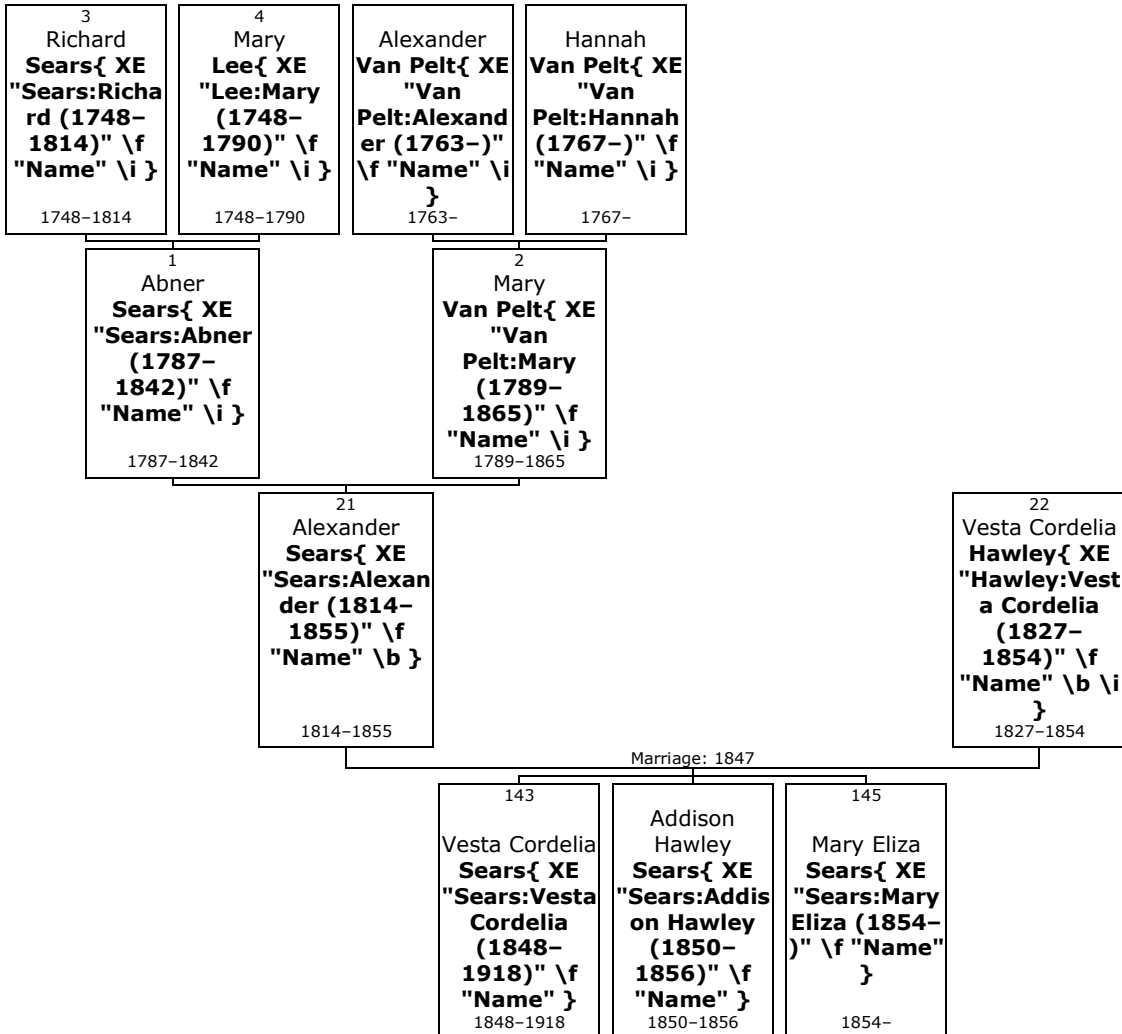
Children of Diantha L Sears and Henry L Farmer:

- + 129 m I. **Joseph⁶ Farmer**{ XE "Farmer:Joseph (1831–1861)" \f "Name" } was born on 4th October 1831. He died on 15th February 1861, at the age of 29.
- + 131 m II. **John Wesley Farmer**{ XE "Farmer:John Wesley (1833–)" \f "Name" } was born on 22nd December 1833.
- + 133 m III. **Lewis W Farmer**{ XE "Farmer:Lewis W (1836–1897)" \f "Name" } was born in Ohio{ XE "USA, Ohio:(40.2083° N, 81.325° W):Farmer, Lewis W (1836–1897)" \f "Place" } on 30th January 1836.^[41] He died in Pleasant Twp, Poweshiek, Iowa,{ XE "USA, Iowa, Poweshiek, Pleasant Twp:(40.6328° N, 92.9256° W):Farmer, Lewis W (1836–1897)" \f "Place" } on 9th January 1897, at the age of 60.^[41]
- + 135 f IV. **Mary Catherine Farmer**{ XE "Farmer:Mary Catherine (1838–)" \f "Name" } was born on 25th July 1838.
- + 137 f V. **Julia Elizabeth Farmer**{ XE "Farmer:Julia Elizabeth (1841–)" \f "Name" } was born on 22nd June 1841.
- f VI. **Susan Farmer**{ XE "Farmer:Susan (1843–1843)" \f "Name" \b } was born on 23rd March 1843. She died on 22nd November 1843.
- + 139 f VII. **Charlotte Missouri Farmer**{ XE "Farmer:Charlotte Missouri (1846–)" \f "Name" } was born in Terre Haute, Vigo, Indiana,{ XE "USA, Indiana, Vigo, Terre Haute:(39.4667° N, 87.4139° W):Farmer, Charlotte Missouri (1846–)" \f "Place" } on 27th May 1846.^[42]

⁴² Ancestry.com, Texas, Death Certificates, 1903-1982 (Provo, UT, USA, Ancestry.com Operations, Inc., 2013), Texas Department of State Health Services; Austin Texas, USA. Record for Charlotte Missouri Farmer. <http://search.ancestry.com/cgi-bin/sse.dll?db=2272&h=773599610&indiv=try>.

+ 141 m VIII. **Abner Sears Farmer**{ XE "Farmer:Abner Sears (1848–1886)" \f "Name" } was born on 30th August 1848.^[40] He died on 7th April 1886, at the age of 37.

Family of Alexander Sears and Vesta Hawley{ TC "Alexander Sears and Vesta Hawley" \I 3 \f C}



21. Dr Alexander⁵ Sears{ XE "Sears:Alexander (1814–1855)" \f "Name" \b } (*Abner⁴, Sergt Richard³, Silas²*) was born on Wednesday, 16th March 1814, in Cherry Valley, Otsego, New York, USA{ XE "USA, New York, Otsego, Cherry Valley:(42.7956° N, 74.7532° W):Sears, Alexander (1814–1855)" \f "Place" }. He was the son of Abner Sears{ XE "Sears:Abner (1787–1842)" \f "Name" \i } (1) and Mary Van Pelt{ XE "Van Pelt:Mary (1789–1865)" \f "Name" \i } (2).

Alexander died in Marshall, Harrison, Texas,{ XE "USA, Texas, Harrison, Marshall:(32.5449° N, 94.3674° W):Sears, Alexander (1814–1855)" \f "Place" } on 6th February 1855, at the age of 40.

!S.P. May No 1933 p.459 Dr Sears removed with his parents to Yankeetown, Madison township, Fayette co., OH, in fall of 1818; studied medicine with Dr Eleazar Martin of Bloomingburg, OH; removed to Leesburg, IN, and thence to Naples, IL, practising for a while at Meredocia, IL; graduated medicine, Louisville, KY, and finally settled in Marshall, TX, where he became eminent as a physician and surgeon.

<https://www.wikitree.com/wiki/Sears-1326>

22. At the age of 33, Alexander married **Vesta Cordelia Hawley**{ XE "Hawley:Vesta Cordelia (1827–1854)" \f "Name" \b \i } on Wednesday, 15th December 1847, in Texas{ XE "USA, Texas:(31.1667° N, 98.925° W):Sears, Alexander (1814–1855)" \f "Place" } when she was 20 years old. They had three children: Vesta (1848–1918), Addison (1850–1856) and Mary (1854–).

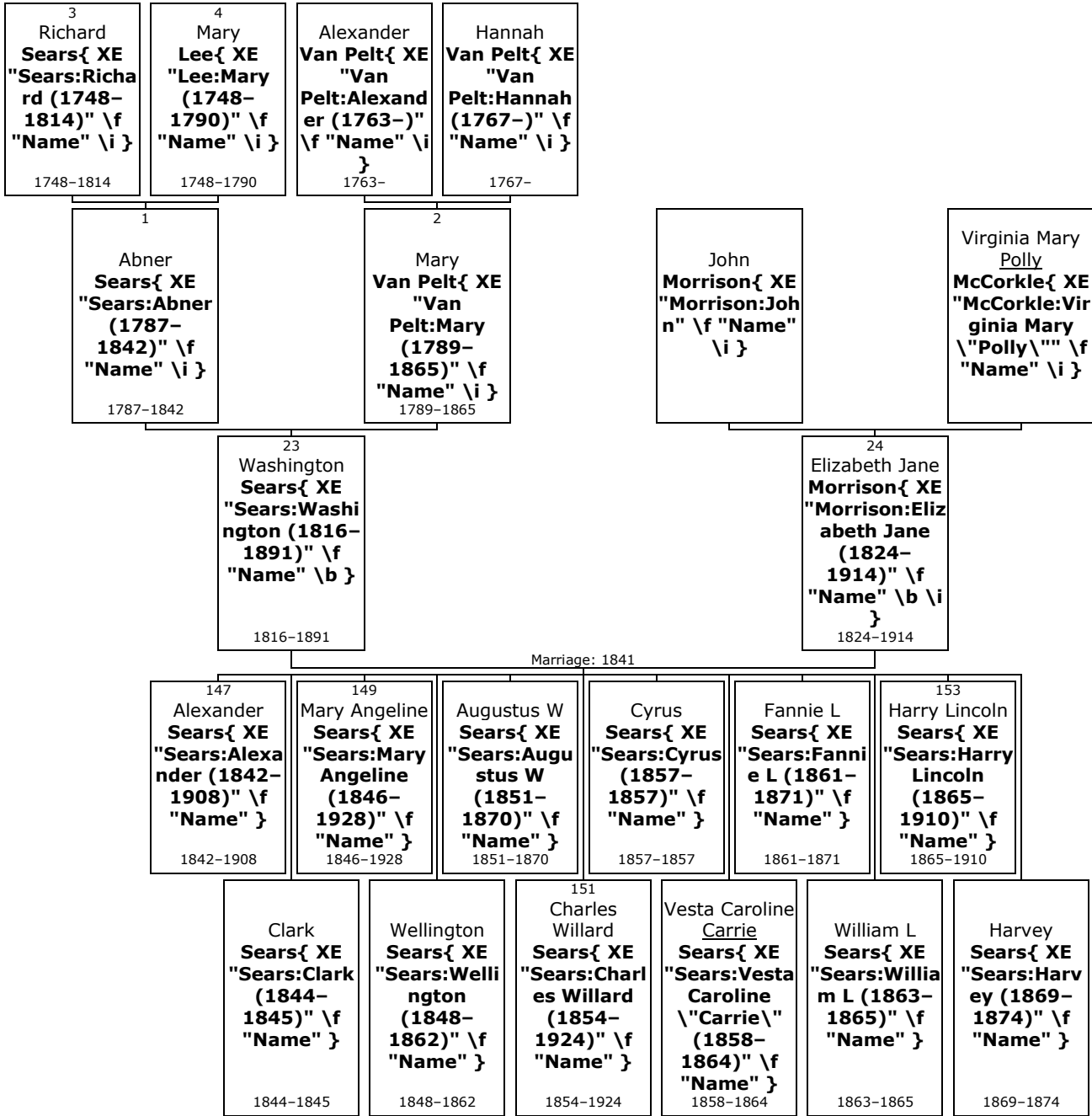
Vesta Cordelia was born in perh, Texas,{ XE "USA, Texas, perh: :Hawley, Vesta Cordelia (1827–1854)" \f "Place" } on Wednesday, 6th June 1827. She reached 27 years of age and died in Marshall, Harrison,{ XE

"USA, Texas, Harrison, Marshall:(32.5449° N, 94.3674° W):Hawley, Vesta Cordelia (1827–1854)" \f "Place" } on 1st October 1854.

Children of Alexander Sears and Vesta Cordelia Hawley:

- + 143 f I. **Vesta Cordelia⁶ Sears**{ XE "Sears:Vesta Cordelia (1848–1918)" \f "Name" } was born in Marshall, Harrison, Texas,{ XE "USA, Texas, Harrison, Marshall:(32.5449° N, 94.3674° W):Sears, Vesta Cordelia (1848–1918)" \f "Place" } on 21st August 1848. She died in 1918 at the age of 69.
- m II. **Addison Hawley Sears**{ XE "Sears:Addison Hawley (1850–1856)" \f "Name" \b } was born in Marshall{ XE "USA, Texas, Harrison, Marshall:(32.5449° N, 94.3674° W):Sears, Addison Hawley (1850–1856)" \f "Place" } on 19th September 1850. He died on 8th July 1856, at the age of 5.
- + 145 f III. **Mary Eliza Sears**{ XE "Sears:Mary Eliza (1854–)" \f "Name" } was born in Marshall{ XE "USA, Texas, Harrison, Marshall:(32.5449° N, 94.3674° W):Sears, Mary Eliza (1854–)" \f "Place" } on 23rd September 1854.

Family of Washington Sears and Elizabeth Morrison{ TC "Washington Sears and Elizabeth Morrison" \ 3 \f C}



23. Washington⁵ Sears{ XE "Sears:Washington (1816-1891)" \f "Name" \b } (Abner⁴, Sergt Richard³, Silas²) was born on Monday, 3rd June 1816, in Cherry Valley, Otsego, New York, USA{ XE "USA, New York, Otsego, Cherry Valley:(42.7956° N, 74.7532° W):Sears, Washington (1816-1891)" \f "Place" }.^[43, 44, 45]

⁴³ Ancestry.com, North America, Family Histories, 1500-2000 (Provo, UT, USA, Ancestry.com Operations, Inc., 2016), Ancestry.com, Book Title: Lineage Book : NSDAR : Volume 149 : 1919. [Source citation includes one media item]

⁴⁴ Ancestry.com, Web: Illinois, Find A Grave Index, 1809-2012 (Provo, UT, USA, Ancestry.com Operations, Inc., 2012), Ancestry.com.

⁴⁵ Ancestry.com and The Church of Jesus Christ of Latter-day Saints, 1880 United States Federal Census (Provo, UT, USA, Ancestry.com Operations Inc, 2010), Ancestry.com, Year: 1880; Census Place: Scott, Illinois; Roll: 250; Family History Film: 1254250; Page: 585A; Enumeration District: 240. [Source citation includes one media item]

[46, 47, 48, 49, 50, 51-52] He was the son of Abner Sears{ XE "Sears:Abner (1787-1842)" \f "Name" \i } (1) and Mary Van Pelt{ XE "Van Pelt:Mary (1789-1865)" \f "Name" \i } (2).

Washington died in Oxville, Scott,{ XE "USA, Illinois, Scott, Oxville:(39.7047° N, 90.5611° W):Sears, Washington (1816-1891)" \f "Place" } on 11th May 1891, at the age of 74.^[43, 44, 46] He was buried in Bluffs{ XE "USA, Illinois, Scott, Bluffs:(39.752° N, 90.5351° W):Sears, Washington (1816-1891)" \f "Place" }.^[44, 46]

!S.P.May No 1934 p459 also, Mrs. Betty Jane Clausen, 8911 Northeastern NE, Apt B-102 Albuquerque, NM 87112

!
! <https://www.wikitree.com/wiki/Sears-1327>

! Ellen M O'Dell, letter 27 Mar 97, CONFLICT: B. year 1815

!
! 1850 United States Federal Census <http://www.ancestry.com/search/db.aspx?dbid=8054>
Name: Washington Sears

Age: 34

Estimated birth year: abt 1816

Birth Place: New York

Gender: Male

Home in 1850 (City,County,State): Naples, Scott, Illinois

Family Number: 396

Household Members: Name Age

Washington Sears 34

Elisabeth Sears 26

Alexander Sears 8

Mary A Sears 4

Nellinton Sears 1

Angeline Sears 28

Mary Barton 22

George Fowler 23

Jesse Cannon 28

More facts and events for Washington Sears:

Residence: 1850 Naples{ XE "USA, Illinois, Scott, Naples:(39.7573° N, 90.6074° W):Sears, Washington (1816-1891)" \f "Place" }^[49]

Residence: 1860 Township 15 Range 13{ XE "USA, Illinois, Scott, Township 15 Range 13: :Sears, Washington (1816-1891)" \f "Place" }^[47]

Residence: 1870 Township 15 Range 13{ XE "USA, Illinois, Scott, Township 15 Range 13: :Sears, Washington (1816-1891)" \f "Place" }^[48]

Residence: 1880 Scott{ XE "USA, Illinois, Scott:(39.6479° N, 90.4783° W):Sears, Washington (1816-1891)" \f "Place" }^[45]

⁴⁶ Ancestry.com, U.S., Find A Grave Index, 1600s-Current (Provo, UT, USA, Ancestry.com Operations, Inc., 2012), Ancestry.com.

⁴⁷ Ancestry.com, 1860 United States Federal Census (Provo, UT, USA, Ancestry.com Operations, Inc., 2009), Ancestry.com, Year: 1860; Census Place: Township 15 Range 13, Scott, Illinois; Roll: M653_227; Page: 889; Image: 65; Family History Library Film: 803227.
[Source citation includes one media item]

⁴⁸ Ancestry.com, 1870 United States Federal Census (Provo, UT, USA, Ancestry.com Operations, Inc., 2009), Ancestry.com, Year: 1870; Census Place: Township 15 Range 13, Scott, Illinois; Roll: M593_276; Page: 361A; Image: 729; Family History Library Film: 545775.
[Source citation includes one media item]

⁴⁹ Ancestry.com, 1850 United States Federal Census (Provo, UT, USA, Ancestry.com Operations, Inc., 2009), Ancestry.com, Year: 1850; Census Place: Naples, Scott, Illinois; Roll: M432_128; Page: 30A; Image: 338.
[Source citation includes one media item]

⁵⁰ Dodd, Jordan, Illinois Marriages to 1850 (Provo, UT, USA, Ancestry.com Operations Inc, 1997), Ancestry.com.

⁵¹ Dodd, Jordan, Liahona Research, comp, Illinois Marriages, 1790-1860 (Provo, UT, USA, Ancestry.com Operations Inc, 2004), Ancestry.com.

⁵² Ancestry.com, Illinois, County Marriages, 1800-1940 (Lehi, UT, USA, Ancestry.com Operations, Inc., 2016), Ancestry.com.

Marital Status: Married; Relation to Head of House: Self

24. At the age of 25, Washington married **Elizabeth Jane Morrison**{ XE "Morrison:Elizabeth Jane (1824–1914)" \f "Name" \b \i } on Sunday, 7th November 1841, in Oxville, Scott,{ XE "USA, Illinois, Scott, Oxville:(39.7047° N, 90.5611° W):Sears, Washington (1816–1891)" \f "Place" } when she was 17 years old.^[45, 50–52] They had twelve children: Alexander (1842–1908), Clark (1844–1845), Mary (1846–1928), Wellington (1848–1862), Augustus (1851–1870), Charles (1854–1924), Cyrus (1857–1857), Carrie (1858–1864), Fannie (1861–1871), William (1863–1865), Harry (1865–1910) and Harvey (1869–1874). Elizabeth Jane was born in Piketon{ XE "USA, Illinois, Piketon: :Morrison, Elizabeth Jane (1824–1914)" \f "Place" } on Thursday, 22nd January 1824.^[45] She was the daughter of John Morrison{ XE "Morrison:John" \f "Name" \i } and Virginia Mary Polly McCorkle{ XE "McCorkle:Virginia Mary \\"Polly\\"" \f "Name" \i }. Elizabeth Jane reached 89 years of age and died in Oxville, Scott,{ XE "USA, Illinois, Scott, Oxville:(39.7047° N, 90.5611° W):Morrison, Elizabeth Jane (1824–1914)" \f "Place" } on 18th January 1914. She was buried. Sears Cemetery.


Ellen M O'Dell, letter 27 Mar 97, b., d., children

More facts and events for Elizabeth Jane Morrison:

Residence: 1880 Scott{ XE "USA, Illinois, Scott:(39.6479° N, 90.4783° W):Morrison, Elizabeth Jane (1824–1914)" \f "Place" }^[45]

Marital Status: Married; Relation to Head of House: Wife

Children of Washington Sears and Elizabeth Jane Morrison:

- + 147 m I. **Alexander⁶ Sears**{ XE "Sears:Alexander (1842–1908)" \f "Name" } was born in Naples{ XE "USA, Illinois, Scott, Naples:(39.7573° N, 90.6074° W):Sears, Alexander (1842–1908)" \f "Place" } on 20th August 1842.^[46, 53, 54–55] He died in Illinois{ XE "USA, Illinois:(39.7333° N, 88.5° W):Sears, Alexander (1842–1908)" \f "Place" } on 10th March 1908, at the age of 65.^[46, 56]
- m II. **Clark Sears**{ XE "Sears:Clark (1844–1845)" \f "Name" \b } was born in Naples{ XE "USA, Illinois, Scott, Naples:(39.7573° N, 90.6074° W):Sears, Clark (1844–1845)" \f "Place" } on 22nd April 1844. He died in Naples{ XE "USA, Illinois, Scott, Naples:(39.7573° N, 90.6074° W):Sears, Clark (1844–1845)" \f "Place" } on 23rd September 1845, at the age of 1.  Clark
- + 149 f III. **Mary Angeline Sears**{ XE "Sears:Mary Angeline (1846–1928)" \f "Name" } was born in Naples{ XE "USA, Illinois, Scott, Naples:(39.7573° N, 90.6074° W):Sears, Mary Angeline (1846–1928)" \f "Place" } on 29th August 1846.^[45, 57, 58, 59–60] She died in Road Dist #7{ XE "USA, Illinois, Scott, Road Dist #7: :Sears, Mary Angeline (1846–1928)" \f "Place" } on 26th November 1928, at the age of 82.^[59]

⁵³ Ancestry.com, Texas, Death Certificates, 1903–1982 (Provo, UT, USA, Ancestry.com Operations, Inc., 2013), Ancestry.com, Texas Department of State Health Services; Austin Texas, USA; Texas Death Certificates, 1903–1982.

⁵⁴ Ancestry.com, Pennsylvania, Death Certificates, 1906–1963 (Provo, UT, USA, Ancestry.com Operations, Inc., 2014), Ancestry.com, Pennsylvania Historic and Museum Commission; Pennsylvania, USA; Certificate Number Range: 068301–070850.

⁵⁵ Ancestry.com and The Church of Jesus Christ of Latter-day Saints, 1880 United States Federal Census (Provo, UT, USA, Ancestry.com Operations Inc, 2010), Ancestry.com, Year: 1880; Census Place: Naples, Scott, Illinois; Roll: 250; Family History Film: 1254250; Page: 602A; Enumeration District: 241.





⁵⁶ Historical Data Systems, comp, U.S., Civil War Soldier Records and Profiles, 1861–1865 (Provo, UT, USA, Ancestry.com Operations Inc, 2009), Ancestry.com.

⁵⁷ Ancestry.com, 1920 United States Federal Census (Provo, UT, USA, Ancestry.com Operations Inc, 2010), Ancestry.com, Year: 1920; Census Place: Oxville, Scott, Illinois; Roll: T625_408; Page: 4A; Enumeration District: 184; Image: 458.

⁵⁸ Ancestry.com, 1910 United States Federal Census (Provo, UT, USA, Ancestry.com Operations Inc, 2006), Ancestry.com, Year: 1910; Census Place: Oxville, Scott, Illinois; Roll: T624_317; Page: 4B; Enumeration District: 0146; FHL microfilm: 1374330.

⁵⁹ Ancestry.com, Illinois, Deaths and Stillbirths Index, 1916–1947 (Provo, UT, USA, Ancestry.com Operations, Inc., 2011), Ancestry.com.

⁶⁰ Ancestry.com, 1900 United States Federal Census (Provo, UT, USA, Ancestry.com Operations Inc, 2004), Ancestry.com, Year: 1900; Census Place: Oxville, Scott, Illinois; Roll: 344; Page: 9B; Enumeration District: 0137; FHL microfilm: 1240344.

- m IV. **Wellington Sears**{ XE "Sears:Wellington (1848–1862)" \f "Name" \b } was born in Naples{ XE "USA, Illinois, Scott, Naples:(39.7573° N, 90.6074° W):Sears, Wellington (1848–1862)" \f "Place" } on 15th December 1848. He died in Naples{ XE "USA, Illinois, Scott, Naples:(39.7573° N, 90.6074° W):Sears, Wellington (1848–1862)" \f "Place" } on 25th July 1862, at the age of 13.  Wellington
- m V. **Augustus W Sears**{ XE "Sears:Augustus W (1851–1870)" \f "Name" \b } was born in Naples{ XE "USA, Illinois, Scott, Naples:(39.7573° N, 90.6074° W):Sears, Augustus W (1851–1870)" \f "Place" } on 16th December 1851. He died in Naples{ XE "USA, Illinois, Scott, Naples:(39.7573° N, 90.6074° W):Sears, Augustus W (1851–1870)" \f "Place" } on 22nd January 1870, at the age of 18.  Augustus
- + 151 m VI. **Charles Willard Sears**{ XE "Sears:Charles Willard (1854–1924)" \f "Name" } was born in Naples{ XE "USA, Illinois, Scott, Naples:(39.7573° N, 90.6074° W):Sears, Charles Willard (1854–1924)" \f "Place" } on 1st December 1854.^[59, 61, 62–63] He died in Jerseyville, Jersey,{ XE "USA, Illinois, Jersey, Jerseyville:(39.12° N, 90.3285° W):Sears, Charles Willard (1854–1924)" \f "Place" } on 25th April 1924, at the age of 69.^[59]
- m VII. **Cyrus Sears**{ XE "Sears:Cyrus (1857–1857)" \f "Name" \b } was born in Naples{ XE "USA, Illinois, Scott, Naples:(39.7573° N, 90.6074° W):Sears, Cyrus (1857–1857)" \f "Place" } on 1st March 1857. He died in Naples{ XE "USA, Illinois, Scott, Naples:(39.7573° N, 90.6074° W):Sears, Cyrus (1857–1857)" \f "Place" } on 15th March 1857.  Cyrus
- f VIII. **Vesta Caroline Carrie Sears**{ XE "Sears:Vesta Caroline \"Carrie\" (1858–1864)" \f "Name" \b } was born in Naples{ XE "USA, Illinois, Scott, Naples:(39.7573° N, 90.6074° W):Sears, Vesta Caroline \"Carrie\" (1858–1864)" \f "Place" } on 13th March 1858.^[64] She died in Naples{ XE "USA, Illinois, Scott, Naples:(39.7573° N, 90.6074° W):Sears, Vesta Caroline \"Carrie\" (1858–1864)" \f "Place" } on 13th March 1864, at the age of 6.
- More facts and events for Vesta Caroline Carrie Sears:
- Residence: 1860 Township 15 Range 13{ XE "USA, Illinois, Scott, Township 15 Range 13: :Sears, Vesta Caroline \"Carrie\" (1858–1864)" \f "Place" }^[64]
- f IX. **Fannie L Sears**{ XE "Sears:Fannie L (1861–1871)" \f "Name" \b } was born in Naples{ XE "USA, Illinois, Scott, Naples:(39.7573° N, 90.6074° W):Sears, Fannie L (1861–1871)" \f "Place" } on 6th February 1861. She died in Naples{ XE "USA, Illinois, Scott, Naples:(39.7573° N, 90.6074° W):Sears, Fannie L (1861–1871)" \f "Place" } on 24th August 1871, at the age of 10.  Fannie
- m X. **William L Sears**{ XE "Sears:William L (1863–1865)" \f "Name" \b } was born in Naples{ XE "USA, Illinois, Scott, Naples:(39.7573° N, 90.6074° W):Sears, William L (1863–1865)" \f "Place" } on 1st February 1863. He died in Naples{ XE "USA, Illinois, Scott, Naples:(39.7573° N, 90.6074° W):Sears, William L (1863–1865)" \f "Place" } on 27th July 1865, at the age of 2.
- + 153 m XI. **Harry Lincoln Sears**{ XE "Sears:Harry Lincoln (1865–1910)" \f "Name" } was born in Naples{ XE "USA, Illinois, Scott, Naples:(39.7573° N, 90.6074° W):Sears, Harry Lincoln

⁶¹ Ancestry.com, 1900 United States Federal Census (Provo, UT, USA, Ancestry.com Operations Inc, 2004), Ancestry.com, Year: 1900; Census Place: Mississippi, Jersey, Illinois; Roll: 309; Page: 3A; Enumeration District: 0039; FHL microfilm: 1240309.

⁶² Ancestry.com, 1920 United States Federal Census (Provo, UT, USA, Ancestry.com Operations Inc, 2010), Ancestry.com, Year: 1920; Census Place: Jersey, Jersey, Illinois; Roll: T625_368; Page: 7A; Enumeration District: 66; Image: 1016.

⁶³ Ancestry.com, 1860 United States Federal Census (Provo, UT, USA, Ancestry.com Operations, Inc., 2009), Ancestry.com, Year: 1860; Census Place: Township 15 Range 13, Scott, Illinois; Roll: M653_227; Page: 890; Family History Library Film: 803227.

⁶⁴ Ancestry.com, 1860 United States Federal Census (Provo, UT, USA, Ancestry.com Operations, Inc., 2009), Ancestry.com, Year: 1860; Census Place: Township 15 Range 13, Scott, Illinois; Roll: M653_227; Page: 890; Image: 66; Family History Library Film: 803227.

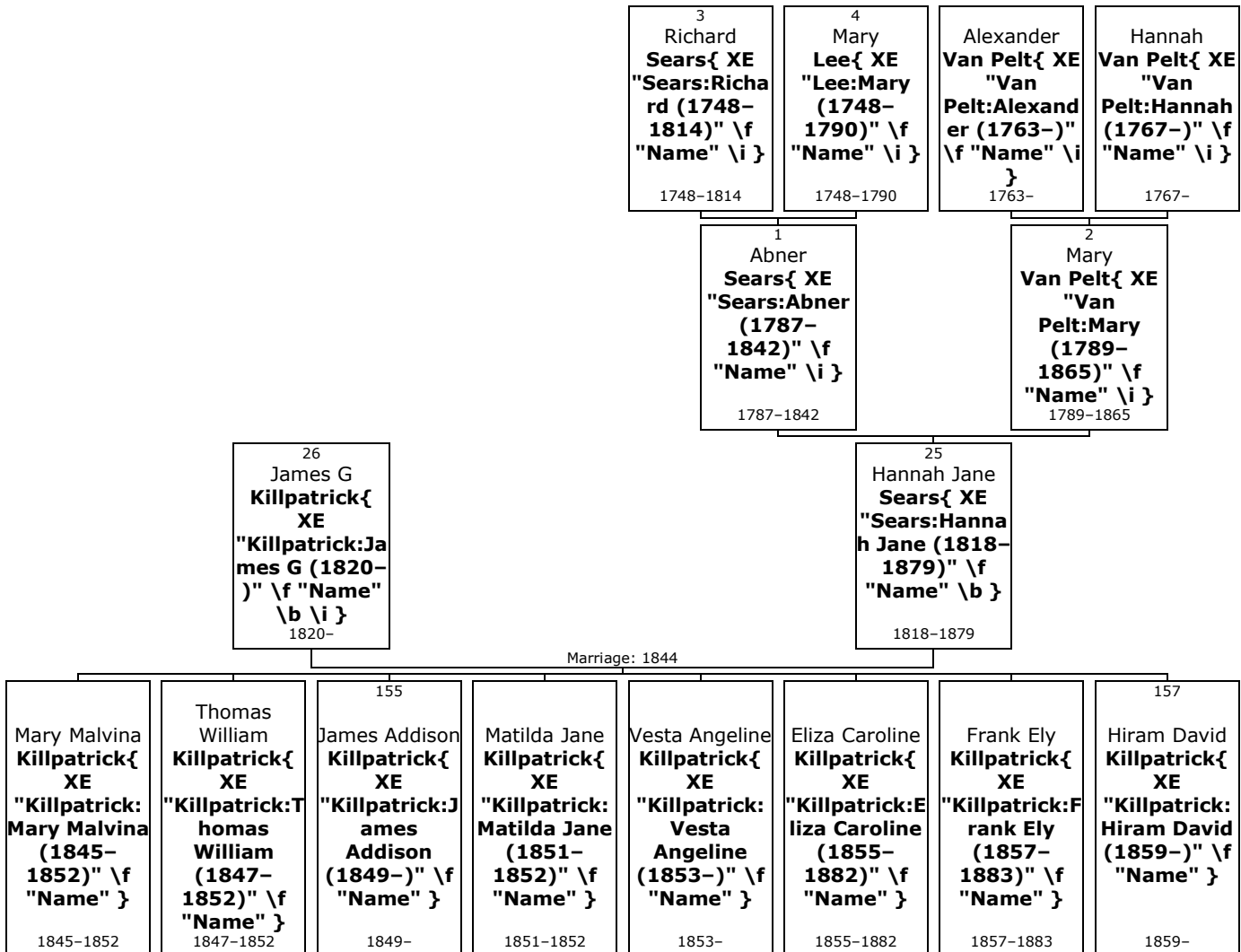
(1865–1910)" \f "Place" } on 17th December 1865.^[45] He died in Scott{ XE "USA, Illinois, Scott:(39.6479° N, 90.4783° W):Sears, Harry Lincoln (1865–1910)" \f "Place" } on 10th January 1910, at the age of 44.

- m XII. **Harvey Sears**{ XE "Sears:Harvey (1869–1874)" \f "Name" \b } was born in Naples{ XE "USA, Illinois, Scott, Naples:(39.7573° N, 90.6074° W):Sears, Harvey (1869–1874)" \f "Place" } on 26th April 1869. He died in Naples{ XE "USA, Illinois, Scott, Naples:(39.7573° N, 90.6074° W):Sears, Harvey (1869–1874)" \f "Place" } on 21st September 1874, at the age of 5.



Harvey

Family of Hannah Sears and James Killpatrick{ TC "Hannah Sears and James Killpatrick" \I 3 \f C }



- 25. Hannah Jane⁵ Sears**{ XE "Sears:Hannah Jane (1818–1879)" \f "Name" \b } (*Abner⁴, Sergt Richard³, Silas²*) was born on Sunday, 1st March 1818, in Cherry Valley, Otsego, New York, USA{ XE "USA, New York, Otsego, Cherry Valley:(42.7956° N, 74.7532° W):Sears, Hannah Jane (1818–1879)" \f "Place" }.^[65] She was the daughter of Abner Sears{ XE "Sears:Abner (1787–1842)" \f "Name" \i } (1) and Mary Van Pelt{ XE "Van Pelt:Mary (1789–1865)" \f "Name" \i } (2).

Hannah Jane died on 30th November 1879, at the age of 61.^[65] She was buried in Winchester, Scott, Illinois{ XE "USA, Illinois, Scott, Winchester:(39.6298° N, 90.4562° W):Sears, Hannah Jane (1818–1879)" \f "Place" }.^[65]

⁶⁵ Ancestry.com, U.S., Find A Grave Index, 1600s-Current (Provo, UT, USA, Ancestry.com Operations, Inc., 2012), Record for Hannah J. Killpatrick-<https://www.findagrave.com/memorial/177448986>.
<http://search.ancestry.com/cgi-bin/sse.dll?db=2495&h=47426821&indiv=try>.

!S.P. May No 1935 p.311 She was a noble Christian woman and was buried with her husband in Winchester.

<https://www.wikitree.com/wiki/Sears-1328>

26. At the age of 26, Hannah Jane married **James G Killpatrick**{ XE "Killpatrick:James G (1820-)" \f "Name" \b \i } on Thursday, 8th August 1844, in Naples{ XE "USA, Illinois, Scott, Naples:(39.7573° N, 90.6074° W):Sears, Hannah Jane (1818-1879)" \f "Place" } when he was 23 years old. They had eight children: Mary (1845-1852), Thomas (1847-1852), James (1849-), Matilda (1851-1852), Vesta (1853-), Eliza (1855-1882), Frank (1857-1883) and Hiram (1859-).

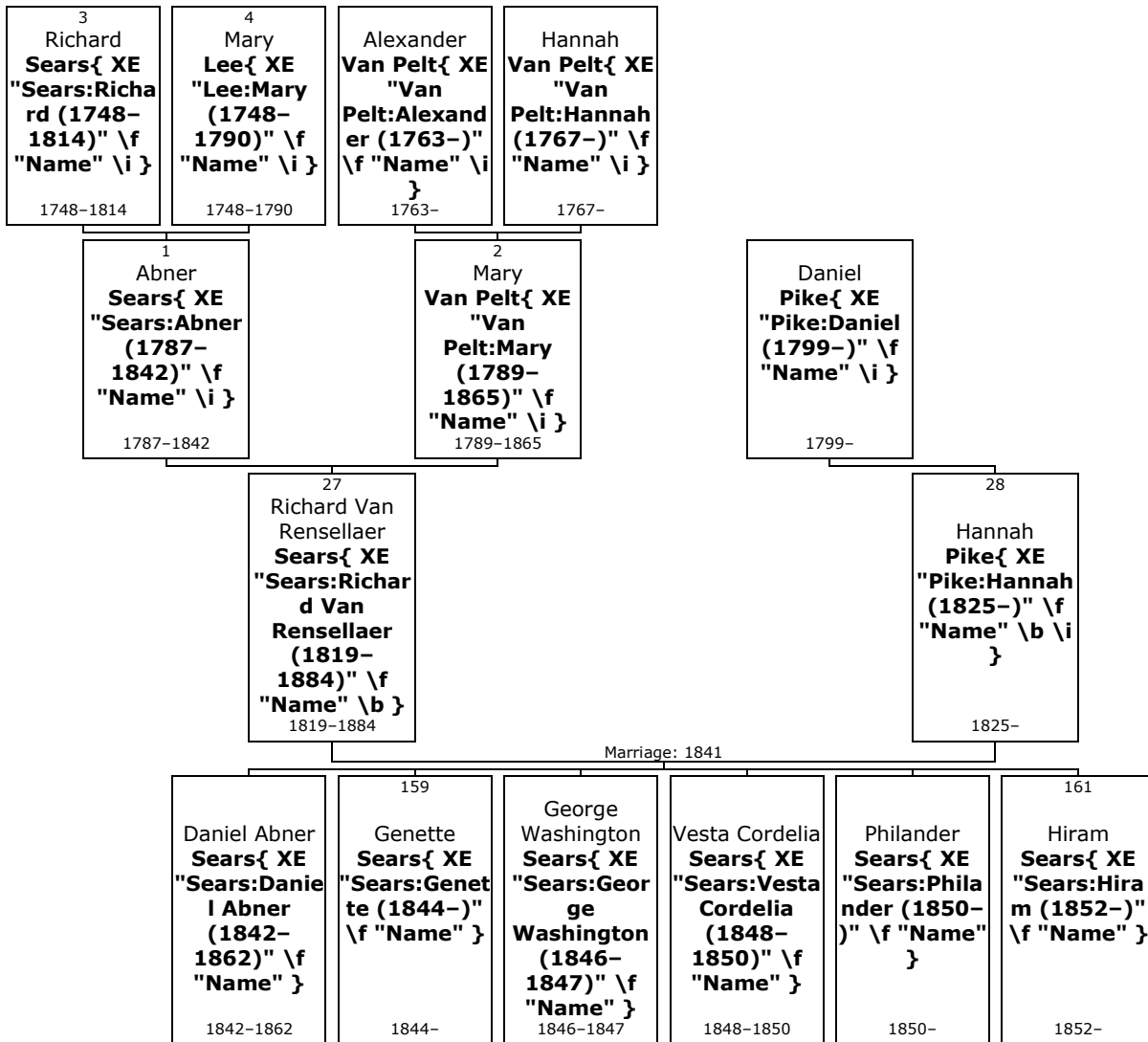
James G was born in Franklin, Ohio,{ XE "USA, Ohio, Franklin:(39.9697° N, 83.0098° W):Killpatrick, James G (1820-)" \f "Place" } on Saturday, 2nd September 1820. He was buried in Winchester, Scott, Illinois{ XE "USA, Illinois, Scott, Winchester:(39.6298° N, 90.4562° W):Killpatrick, James G (1820-)" \f "Place" }.

!S.P. May p.311 Was a red potter by trade; removed to the vicinity of Maroa, IL and became a farmer. He was bro. to Lt Col Thos M Killpatrick of IL, and a relative of Gen K., US Army; was a devoted member of Meth Ch

Children of Hannah Jane Sears and James G Killpatrick:

- | | | |
|-------|------|--|
| f | I. | Mary Malvina⁶ Killpatrick { XE "Killpatrick:Mary Malvina (1845-1852)" \f "Name" \b } was born in perh,{ XE "USA, Illinois, Scott, Naples, perh: :Killpatrick, Mary Malvina (1845-1852)" \f "Place" } on 12 th July 1845. She died on 2 nd September 1852, at the age of 7. |
| m | II. | Thomas William Killpatrick { XE "Killpatrick:Thomas William (1847-1852)" \f "Name" \b } was born in perh{ XE "USA, Illinois, Scott, Naples, perh: :Killpatrick, Thomas William (1847-1852)" \f "Place" } on 18 th October 1847. He died on 8 th September 1852, at the age of 4. |
| + 155 | m | III. James Addison Killpatrick { XE "Killpatrick:James Addison (1849-)" \f "Name" } was born in perh{ XE "USA, Illinois, Scott, Naples, perh: :Killpatrick, James Addison (1849-)" \f "Place" } on 26 th December 1849. |
| f | IV. | Matilda Jane Killpatrick { XE "Killpatrick:Matilda Jane (1851-1852)" \f "Name" \b } was born in perh{ XE "USA, Illinois, Scott, Naples, perh: :Killpatrick, Matilda Jane (1851-1852)" \f "Place" } on 19 th February 1851. She died on 3 rd April 1852, at the age of 1. |
| f | V. | Vesta Angeline Killpatrick { XE "Killpatrick:Vesta Angeline (1853-)" \f "Name" \b } was born in perh{ XE "USA, Illinois, Scott, Naples, perh: :Killpatrick, Vesta Angeline (1853-)" \f "Place" } on 18 th April 1853. |
| f | VI. | Eliza Caroline Killpatrick { XE "Killpatrick:Eliza Caroline (1855-1882)" \f "Name" \b } was born in perh{ XE "USA, Illinois, Scott, Naples, perh: :Killpatrick, Eliza Caroline (1855-1882)" \f "Place" } on 16 th January 1855. She died on 15 th April 1882, at the age of 27. |
| m | VII. | Frank Ely Killpatrick { XE "Killpatrick:Frank Ely (1857-1883)" \f "Name" \b } was born in perh{ XE "USA, Illinois, Scott, Naples, perh: :Killpatrick, Frank Ely (1857-1883)" \f "Place" } on 12 th March 1857. He died on 30 th July 1883, at the age of 26. |
| + 157 | m | VIII. Hiram David Killpatrick { XE "Killpatrick:Hiram David (1859-)" \f "Name" } was born in perh{ XE "USA, Illinois, Scott, Naples, perh: :Killpatrick, Hiram David (1859-)" \f "Place" } on 27 th August 1859. |

Family of Richard Sears and Hannah Pike{ TC "Richard Sears and Hannah Pike" \I 3 \f C}



- 27. Richard Van Rensellaer⁵ Sears**{ XE "Sears:Richard Van Rensellaer (1819-1884)" \f "Name" \b } (*Abner⁴, Sergt Richard³, Silas²*) was born on Friday, 5th November 1819, in Yankeetown, Fayette, Ohio, USA{ XE "USA, Ohio, Fayette, Yankeetown":Sears, Richard Van Rensellaer (1819-1884)" \f "Place" }.^[66] He was the son of Abner Sears{ XE "Sears:Abner (1787-1842)" \f "Name" \i } (1) and Mary Van Pelt{ XE "Van Pelt:Mary (1789-1865)" \f "Name" \i } (2).

Richard Van Rensellaer died in Oxville, Scott, Illinois,{ XE "USA, Illinois, Scott, Oxville:(39.7047° N, 90.5611° W):Sears, Richard Van Rensellaer (1819-1884)" \f "Place" } on 23rd February 1884, at the age of 64.^[66] He was buried in Bluffs{ XE "USA, Illinois, Scott, Bluffs:(39.752° N, 90.5351° W):Sears, Richard Van Rensellaer (1819-1884)" \f "Place" }.^[66]

!S.P. May p.461 Richard Sears removed with his parents to the vicinity of Naples, IL, settling later at Oxville, Scott co., IL, as a blacksmith; was of inventive mind and congenial disposition; he subsequently became a farmer d. p. 491

- 28.** At the age of 22, Richard Van Rensellaer married **Hannah Pike**{ XE "Pike:Hannah (1825-)" \f "Name" \b \i } on Thursday, 2nd December 1841, in Oxville{ XE "USA, Illinois, Scott, Oxville:(39.7047° N, 90.5611° W):Sears, Richard Van Rensellaer (1819-1884)" \f "Place" } when she was 16 years old. They had six children: Daniel (1842-1862), Genette (1844-), George (1846-1847), Vesta (1848-1850), Philander (1850-) and Hiram (1852-).

⁶⁶ Ancestry.com, U.S., Find A Grave Index, 1600s-Current (Provo, UT, USA, Ancestry.com Operations, Inc., 2012), Record for Richard V. Sears-<https://www.findagrave.com/memorial/141990901/richard-v.-sears>.
<http://search.ancestry.com/cgi-bin/sse.dll?db=2495&h=47426821&indiv=try>.

Hannah was born in Exeter{ XE "USA, Illinois, Scott, Exeter:(39.7209° N, 90.4965° W):Pike, Hannah (1825-)" \f "Place" } on Tuesday, 11th October 1825. She was the daughter of Daniel Pike{ XE "Pike:Daniel (1799-)" \f "Name" \i }.

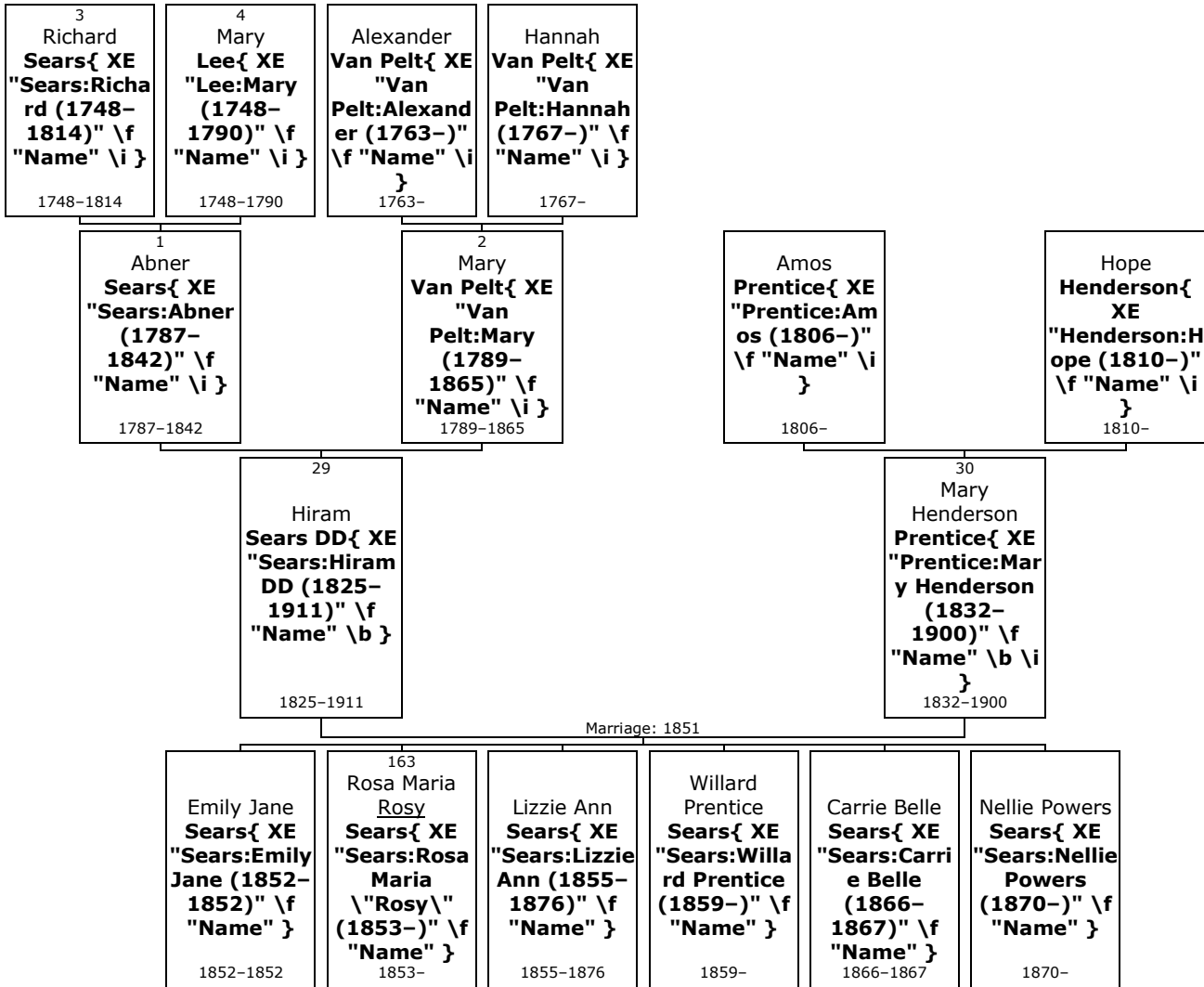
!S.P. May p.460 lives on the homestead

Children of Richard Van Rensselaer Sears and Hannah Pike:

- m I. **Daniel Abner⁶ Sears**{ XE "Sears:Daniel Abner (1842-1862)" \f "Name" \b } was born in Oxville{ XE "USA, Illinois, Scott, Oxville:(39.7047° N, 90.5611° W):Sears, Daniel Abner (1842-1862)" \f "Place" } on 11th November 1842. He died in Mitchellville, Sumner, Tennessee,{ XE "USA, Tennessee, Sumner, Mitchellville:(36.632° N, 86.5408° W):Sears, Daniel Abner (1842-1862)" \f "Place" } on 9th December 1862, at the age of 20.
- + 159 f II. **Genette Sears**{ XE "Sears:Genette (1844-)" \f "Name" } was born in Oxville{ XE "USA, Illinois, Scott, Oxville:(39.7047° N, 90.5611° W):Sears, Genette (1844-)" \f "Place" } on 5th May 1844.^[67]
- m III. **George Washington Sears**{ XE "Sears:George Washington (1846-1847)" \f "Name" \b } was born in Oxville{ XE "USA, Illinois, Scott, Oxville:(39.7047° N, 90.5611° W):Sears, George Washington (1846-1847)" \f "Place" } on 6th March 1846. He died on 7th March 1847, at the age of 1.
- f IV. **Vesta Cordelia Sears**{ XE "Sears:Vesta Cordelia (1848-1850)" \f "Name" \b } was born in Naples{ XE "USA, Illinois, Scott, Naples:(39.7573° N, 90.6074° W):Sears, Vesta Cordelia (1848-1850)" \f "Place" } on 7th March 1848. She died in Scott{ XE "USA, Illinois, Scott:(39.6479° N, 90.4783° W):Sears, Vesta Cordelia (1848-1850)" \f "Place" } on 9th March 1850, at the age of 2.
- m V. **Philander Sears**{ XE "Sears:Philander (1850-)" \f "Name" \b } was born in Naples{ XE "USA, Illinois, Scott, Naples:(39.7573° N, 90.6074° W):Sears, Philander (1850-)" \f "Place" } on 16th June 1850.
- + 161 m VI. **Hiram Sears**{ XE "Sears:Hiram (1852-)" \f "Name" } was born in Naples{ XE "USA, Illinois, Scott, Naples:(39.7573° N, 90.6074° W):Sears, Hiram (1852-)" \f "Place" } on 15th February 1852.

⁶⁷ Ancestry.com and The Church of Jesus Christ of Latter-day Saints, 1880 United States Federal Census (Provo, UT, USA, Ancestry.com Operations Inc, 2010), Ancestry.com, Year: 1880; Census Place: Scott, Illinois; Roll: 250; Page: 581A; Enumeration District: 240. Record for Jennette Wills.
<http://search.ancestry.com/cgi-bin/sse.dll?db=6742&h=21802212&indiv=try>.

Family of Hiram Sears and Mary Prentice{ TC "Hiram Sears and Mary Prentice" \I 3 \f C}



29. **Rev Hiram⁵ Sears DD**{ XE "Sears:Hiram DD (1825-1911)" \f "Name" \b } (*Abner⁴, Sergt Richard³, Silas²*) was born on Sunday, 10th April 1825, in Yankeetown, Madison, Fayette, Ohio, USA{ XE "USA, Ohio, Fayette, Madison, Yankeetown: :Sears, Hiram DD (1825-1911)" \f "Place" }. He was the son of Abner Sears{ XE "Sears:Abner (1787-1842)" \f "Name" \i } (1) and Mary Van Pelt{ XE "Van Pelt:Mary (1789-1865)" \f "Name" \i } (2).

Hiram died in Berea, Cuyahoga,{ XE "USA, Ohio, Cuyahoga, Berea:(41.3662° N, 81.8543° W):Sears, Hiram DD (1825-1911)" \f "Place" } on 10th April 1911, at the age of 86.

!S.P. May No 1938 p.462 Hiram Sears emigrated with his parents to the vicinity of Naples, IL, in the fall of 1836; attended the Illinois College at Jacksonville for some time, and graduated from McKENDREN College, Lebanon, IL, in summer of 1849. He united with the IL Conference of the Methodist Episcopal Church at Jacksonville, in fall of 1851, and by a division of that conference fell into the Southern IL Conference, of which he has been a member ever since.

He resided in Effingham, IL, and since 1886 has been a missionary superintendent of the Western Seaman's Friend Society, address, Seaman's Bethel Home, Cleveland, OH.

Mr Sears has for years taken much interest in the family history, and has collected much data regarding different branches in the North-West, which he has kindly placed at my disposal for this work.

!
<https://www.wikitree.com/wiki/Sears-1331>

Obit lists a son William T- confusion with Willard P??

!1860 United States Federal Census <http://www.ancestry.com/search/db.aspx?dbid=7667>

Name: Hiram Sears
Age in 1860: 35
Birth Year: abt 1825
Birthplace: Illinois
Home in 1860: Township 6 Range 10, Madison, Illinois
Gender: Male
Post Office: Godfrey
Household Members: Name Age
Hiram Sears 35
Mary A Sears 28
Rosy M Sears 7
Lizzie Sears 5
Willard Sears 10/12
Vestus C Sears 12
Ida E Sears 6
Minnie MacRel 19

!
! 1870 United States Federal Census <http://www.ancestry.com/search/db.aspx?dbid=7163>

Name: Hiram Sears
Birth Year: abt 1825
Age in 1870: 45
Birthplace: Ohio
Home in 1870: Douglas, Effingham, Illinois
Race: White
Gender: Male
Post Office: Effingham
Household Members: Name Age
Hiram Sears 45
Mary H Sears 37
Rosa Sears 17
Lizzie A Sears 14
Willard P Sears 10
Carrie M Printice 24

!
! 1880 United States Federal Census <http://www.ancestry.com/search/db.aspx?dbid=6742>

Name: Hiram Sears
Home in 1880: Collinsville, Madison, Illinois
Age: 55
Estimated birth year: abt 1825
Birthplace: Ohio
Relation to Head of Household: Self (Head)
Spouse's name: Mary H.
Father's birthplace: New York
Mother's birthplace: New Jersey
Occupation: Clergyman
Marital Status: Married
Race: White
Gender: Male

Household Members: Name Age
Hiram Sears 55
Mary H. Sears 47
Nellie P. Sears 9

!
! 1900 United States Federal Census <http://www.ancestry.com/search/db.aspx?dbid=7602>

Name: Hiram Sears [Hiram Gears]
Home in 1900: Berea, Cuyahoga, Ohio
Age: 75
Birth Date: Apr 1825
Birthplace: Ohio
Race: White
Ethnicity: American

Gender: Male
 Relationship to Head of House: Head
 Father's Birthplace: Massachusetts
 Mother's Birthplace: New Jersey
 Marital Status: Widowed
 Residence : Berea Village, Cuyahoga, Ohio
 Household Members: Name Age
 Hiram Sears 75
 Nellie C Sears 29

!
 !Ohio 1910 Census Miracode Index <http://www.ancestry.com/search/db.aspx?dbid=5135>

Name: Hiram Sears
 Birthplace: Ohio
 State: OH
 Age: 85
 Color: W
 Enumeration District: 0025
 Visit: 0538
 County: Cuyahoga, Berea
 Relation: Head of Household
 Other Residents: .navbar { font-size: 8pt }
 Relation Name Color Age Birth Place
 Daughter Nellie P 39 Illinois
 Daughter Rosa Reisehart 56 Illinois

!
 ! 1910 United States Federal Census <http://www.ancestry.com/search/db.aspx?dbid=7884>

Name: Hiram Sears
 Age in 1910: 85
 Estimated birth year: abt 1825
 Birthplace: Ohio
 Relation to Head of House: Head
 Father's Birth Place: Massachusetts
 Mother's Birth Place: New Jersey
 Home in 1910: Middleburg, Cuyahoga, Ohio
 Marital Status: Widowed
 Race: White
 Gender: Male
 Household Members: Name Age
 Hiram Sears 85
 Nellie P Sears 39
 Ross Reischart 56

30. At the age of 26, Hiram married **Mary Henderson Prentice**{ XE "Prentice:Mary Henderson (1832-1900)" \f "Name" \b \i } on Sunday, 25th May 1851, in White Hall, Greene, Illinois,{ XE "USA, Illinois, Greene, White Hall:(39.437° N, 90.4032° W):Sears, Hiram DD (1825-1911)" \f "Place" } when she was 18 years old. They had six children: Emily (1852-1852), Rosy (1853-), Lizzie (1855-1876), Willard (1859-), Carrie (1866-1867) and Nellie (1870-).

Mary Henderson was born in White Hall{ XE "USA, Illinois, Greene, White Hall:(39.437° N, 90.4032° W):Prentice, Mary Henderson (1832-1900)" \f "Place" } on Monday, 30th July 1832. She was the daughter of Amos Prentice{ XE "Prentice:Amos (1806-)" \f "Name" \i } and Hope Henderson{ XE "Henderson:Hope (1810-)" \f "Name" \i }.

Mary Henderson reached 67 years of age and died in 1900.

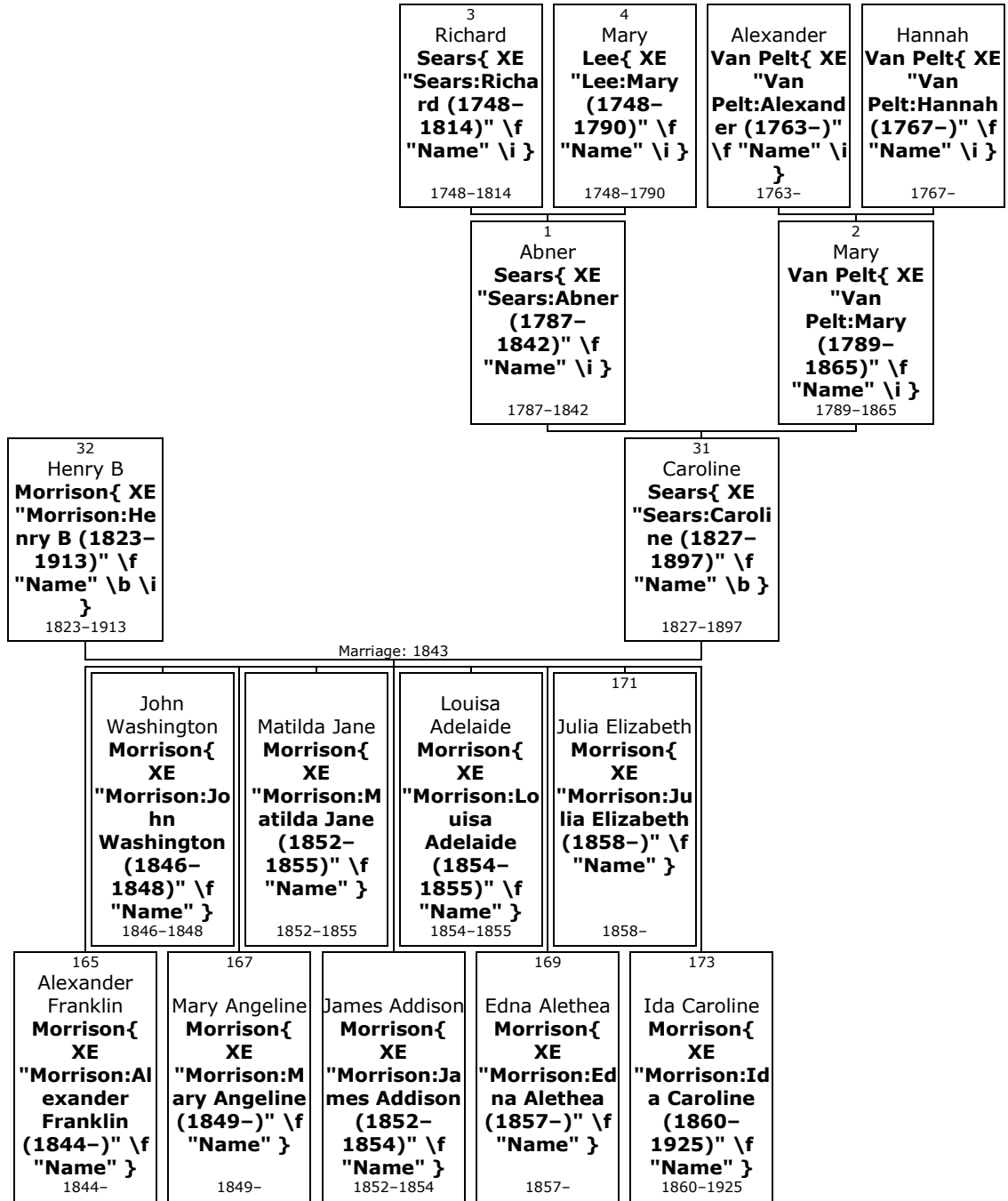
!S.P. May p.461 She is a niece of Rev Dr Wm. S Prentice of the IL Conf., and a relative of Miss Dr Clara A Swain, the first lady physician sent out by the Mission Society of the Meth Ep Church to India

Children of Hiram Sears DD and Mary Henderson Prentice:

- f I. **Emily Jane⁶ Sears**{ XE "Sears:Emily Jane (1852-1852)" \f "Name" \b } was born in Benton, Franklin,{ XE "USA, Illinois, Franklin, Benton:(37.9967° N, 88.92° W):Sears, Emily Jane (1852-1852)" \f "Place" } on 14th February 1852. She died on 13th September 1852.

- + 163 f II. **Rosa Maria Rosy Sears**{ XE "Sears:Rosa Maria \"Rosy\" (1853-)" \f "Name" \b } was born in Fairfield, Bureau,{ XE "USA, Illinois, Bureau, Fairfield:(38.3789° N, 88.3598° W):Sears, Rosa Maria \"Rosy\" (1853-)" \f "Place" } on 19th June 1853.
- f III. **Lizzie Ann Sears**{ XE "Sears:Lizzie Ann (1855-1876)" \f "Name" \b } was born in Sullivan, Livingston,{ XE "USA, Illinois, Livingston, Sullivan:(39.5995° N, 88.6079° W):Sears, Lizzie Ann (1855-1876)" \f "Place" } on 21st September 1855. She died in Carbondale, Jackson,{ XE "USA, Illinois, Jackson, Carbondale:(37.7273° N, 89.2168° W):Sears, Lizzie Ann (1855-1876)" \f "Place" } on 22nd June 1876, at the age of 20.
- m IV. **Willard Prentice Sears**{ XE "Sears:Willard Prentice (1859-)" \f "Name" \b } was born in Godfrey, Madison,{ XE "USA, Illinois, Madison, Godfrey:(38.9556° N, 90.1868° W):Sears, Willard Prentice (1859-)" \f "Place" } on 4th November 1859.
- f V. **Carrie Belle Sears**{ XE "Sears:Carrie Belle (1866-1867)" \f "Name" \b } was born in Cairo, Alexander,{ XE "USA, Illinois, Alexander, Cairo:(37.0053° N, 89.1765° W):Sears, Carrie Belle (1866-1867)" \f "Place" } on 4th March 1866. She died in Vandalia, Fayette,{ XE "USA, Illinois, Fayette, Vandalia:(38.9606° N, 89.0937° W):Sears, Carrie Belle (1866-1867)" \f "Place" } on 3rd April 1867, at the age of 1.
- f VI. **Nellie Powers Sears**{ XE "Sears:Nellie Powers (1870-)" \f "Name" \b } was born in Effingham{ XE "USA, Illinois, Effingham:(39.0645° N, 88.5883° W):Sears, Nellie Powers (1870-)" \f "Place" } on 24th November 1870.

Family of Caroline Sears and Henry Morrison{ TC "Caroline Sears and Henry Morrison" \I 3 \f C}



31. **Caroline⁵ Sears**{ XE "Sears:Caroline (1827-1897)" \f "Name" \b } (*Abner⁴, Sergt Richard³, Silas²*) was born on Monday, 30th April 1827, in Yankeetown, Madison, Fayette, Ohio, USA{ XE "USA, Ohio, Fayette, Madison, Yankeetown: :Sears, Caroline (1827-1897)" \f "Place" }. She was the daughter of Abner Sears{ XE "Sears:Abner (1787-1842)" \f "Name" \i } (1) and Mary Van Pelt{ XE "Van Pelt:Mary (1789-1865)" \f "Name" \i } (2).

Caroline died in Coin, Page, Iowa,{ XE "USA, Iowa, Page, Coin:(40.6544° N, 95.2303° W):Sears, Caroline (1827-1897)" \f "Place" } in 1897 at the age of 69. She was buried in Iowa{ XE "USA, Iowa:(42.05° N, 92.2° W):Sears, Caroline (1827-1897)" \f "Place" }.

!S.P. May No 1939 p.312 removed with her parents to near Naples, IL, with her parents in the fall of 1836. Both she and husband are devoted members of Meth Ch and live in Monticello,IL.

More facts and events for Caroline Sears:

Residence: 17th December 1910 Ohio{ XE "USA, Ohio:(40.2083° N, 81.325° W):Sears, Caroline (1827-1897)" \f "Place" }

- 32.** Caroline married **Henry B Morrison**{ XE "Morrison:Henry B (1823-1913)" \f "Name" \b \i } on Thursday, 10th August 1843, in Naples, Scott, Illinois{ XE "USA, Illinois, Scott, Naples:(39.7573° N, 90.6074° W):Sears, Caroline (1827-1897)" \f "Place" }. They had nine children: Alexander (1844-), John (1846-1848), Mary (1849-), Matilda (1852-1855), James (1852-1854), Louisa (1854-1855), Edna (1857-), Julia (1858-) and Ida (1860-1925).

Henry B was born in 1823. He reached 90 years of age and died in St Louis, Missouri,{ XE "USA, Missouri, St Louis:(38.6794° N, 90.3916° W):Morrison, Henry B (1823-1913)" \f "Place" } on 5th March 1913. Henry B was buried at Locust Grove Cemetery in Shenandoah, Page, Iowa{ XE "USA, Iowa, Page, Shenandoah:(40.7656° N, 95.3722° W):Morrison, Henry B (1823-1913)" \f "Place" }.

!S.P. May p.312 A farmer.

Children of Caroline Sears and Henry B Morrison:

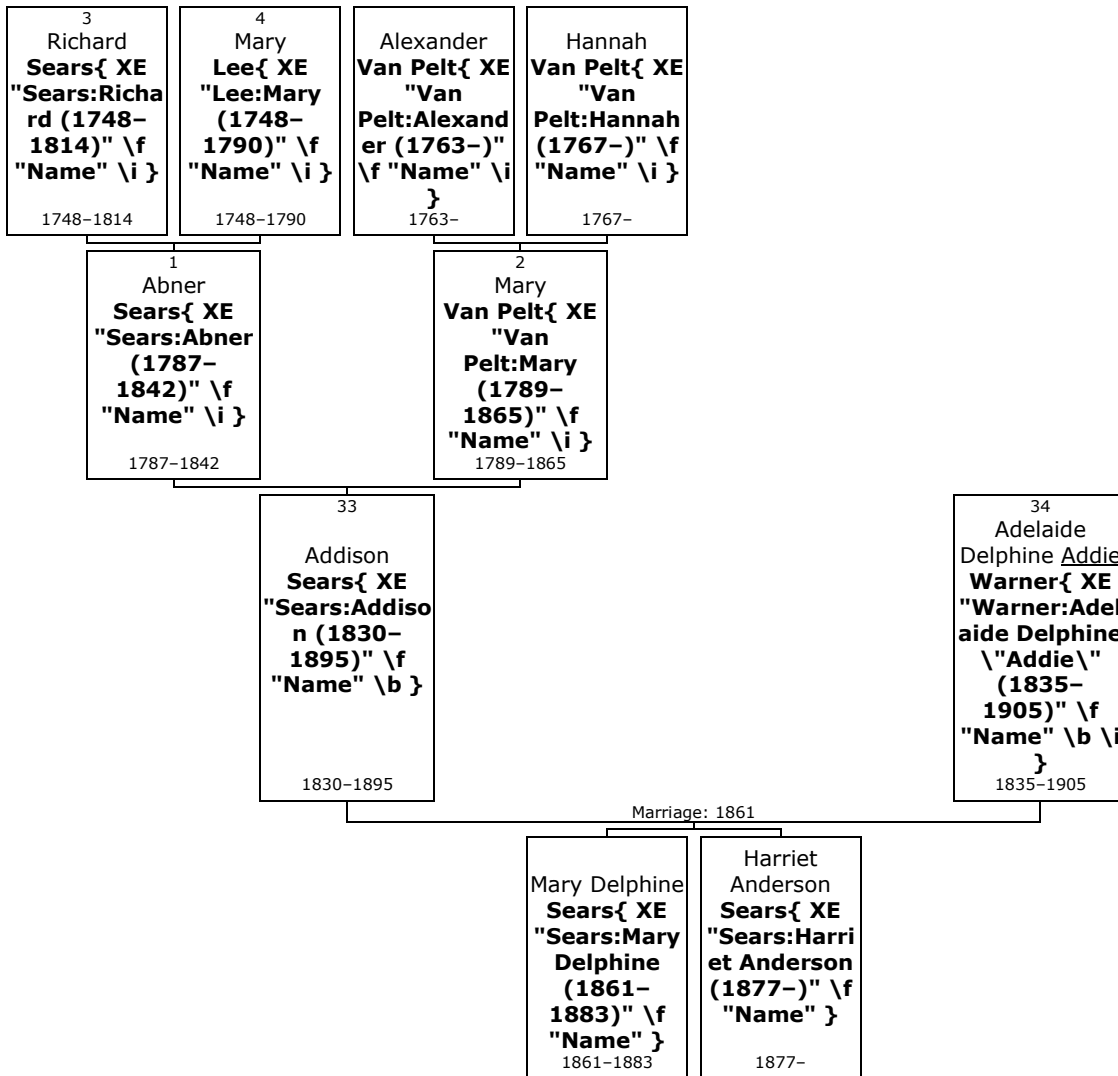
- | | | | |
|---|-----|---|--|
| + | 165 | m | I. Alexander Franklin⁶ Morrison { XE "Morrison:Alexander Franklin (1844-)" \f "Name" } was born in perh, Naples,{ XE "USA, Illinois, Scott, Naples, perh: :Morrison, Alexander Franklin (1844-)" \f "Place" } on 24 th December 1844. |
| | | m | II. John Washington Morrison { XE "Morrison:John Washington (1846-1848)" \f "Name" \b } was born on 16 th November 1846. He died on 17 th October 1848, at the age of 1. |
| + | 167 | f | III. Mary Angeline Morrison { XE "Morrison:Mary Angeline (1849-)" \f "Name" } was born in Illinois{ XE "USA, Illinois:(39.7333° N, 88.5° W):Morrison, Mary Angeline (1849-)" \f "Place" } on 26 th February 1849. ^[68] She died in Scott, Illinois{ XE "USA, Illinois, Scott:(39.6479° N, 90.4783° W):Morrison, Mary Angeline (1849-)" \f "Place" }. ^[68] |
| | | f | IV. Matilda Jane Morrison { XE "Morrison:Matilda Jane (1852-1855)" \f "Name" \b } was born on 3 rd April 1852. She died on 1 st October 1855, at the age of 3. |
| | | m | V. James Addison Morrison { XE "Morrison:James Addison (1852-1854)" \f "Name" \b } was born on 3 rd April 1852. He died on 4 th July 1854, at the age of 2. |
| | | f | VI. Louisa Adelaide Morrison { XE "Morrison:Louisa Adelaide (1854-1855)" \f "Name" \b } was born on 16 th January 1854. She died on 20 th February 1855, at the age of 1. |
| + | 169 | f | VII. Edna Alethea Morrison { XE "Morrison:Edna Alethea (1857-)" \f "Name" } was born on 3 rd August 1857. ^[69] She was also known as Edna Morrison { XE "Morrison:Edna (Edna A. Morrison) (1857-)" \f "Name" }. ^[69] |
| + | 171 | f | VIII. Julia Elizabeth Morrison { XE "Morrison:Julia Elizabeth (1858-)" \f "Name" } was born on 21 st October 1858. |
| + | 173 | f | IX. Ida Caroline Morrison { XE "Morrison:Ida Caroline (1860-1925)" \f "Name" } was born on 18 th September 1860. ^[70] She died in St Louis, Independent Cities, Missouri,{ XE "USA, Missouri, Independent Cities, St Louis:(38.6277° N, 90.1995° W):Morrison, Ida Caroline (1860-1925)" \f "Place" } on 12 th July 1925, at the age of 64. ^[70] |

⁶⁸ FamilySearch.org, FamilySearch Family Tree, FamilySearch, "Family Tree," database, <i>FamilySearch</i> (<http://familysearch.org> : modified 13 September 2017, 19:25), entry for Mary Angeline Morrison(PID <https://familysearch.org/ark:/61903/4:1:K4J9-VQ5>); contributed by various users. PersonID K4J9-VQ5. Mary Angeline Morrison. <https://familysearch.org/ark:/61903/4:1:K4J9-VQ5>.

⁶⁹ Ancestry.com and The Church of Jesus Christ of Latter-day Saints, 1880 United States Federal Census (Provo, UT, USA, Ancestry.com Operations Inc, 2010), Ancestry.com, Year: 1880; Census Place: Des Moines, Jackson, Minnesota; Roll: 624; Page: 507C; Enumeration District: 122. Record for Edna Cornish. <http://search.ancestry.com/cgi-bin/sse.dll?db=6742&h=33148012&indiv=try>.

⁷⁰ Ancestry.com, U.S., Find A Grave Index, 1600s-Current (Provo, UT, USA, Ancestry.com Operations, Inc., 2012), Record for Ida Caroline Battell. <http://search.ancestry.com/cgi-bin/sse.dll?db=60525&h=30632995&indiv=try>.

Family of Addison Sears and Addie Warner{ TC "Addison Sears and Addie Warner" \I 3 \f C}



- 33. Dr Addison⁵ Sears**{ XE "Sears:Addison (1830-1895)" \f "Name" \b } (*Abner⁴, Sergt Richard³, Silas²*) was born on Friday, 1st January 1830, in Yankeetown, Madison, Fayette, Ohio, USA{ XE "USA, Ohio, Fayette, Madison, Yankeetown: :Sears, Addison (1830-1895)" \f "Place" }. He was the son of Abner Sears{ XE "Sears:Abner (1787-1842)" \f "Name" \i } (1) and Mary Van Pelt{ XE "Van Pelt:Mary (1789-1865)" \f "Name" \i } (2).

Addison died in Marshall, Harrison, Texas,{ XE "USA, Texas, Harrison, Marshall:(32.5449° N, 94.3674° W):Sears, Addison (1830-1895)" \f "Place" } on 13th June 1895, at the age of 65.

!S.P. May No 1940 p.462 Dr Sears rem with his parents in the fall of 1836 to the vicinity of Naples,IL; studied medicine with his brother Dr Alexander Sears, in Marshall, TX; grad. Louisville, KY, 3 mar 1853, and setteld in Marshall, where he has been successful as a physician and druggist. He has been an honored elder in the Cumberland Presby Ch. for many years, of which his wife is also a member.

<https://www.wikitree.com/wiki/Sears-1333>

* Van Pelt Genealogy by Ella E. Van Pelt Tilden

<https://www.findagrave.com/memorial/24299685/sea>

Photo added by Andrea Maloney

Dr Addison Sears

BIRTH 1830

DEATH 1895 (aged 64-65)

BURIAL

Greenwood Cemetery

Marshall, Harrison County, Texas, USA
PLOT Section 4B

<https://www.ancestry.com/family-tree/person/tree/15417454/person/731948325/facts> tree of karenmcclellan150 accessed 27 Sep 2020

- 34.** At the age of 31, Addison married **Adelaide Delphine Addie Warner**{ XE "Warner:Adelaide Delphine \"Addie\" (1835-1905)" \f "Name" \b \i } on Wednesday, 27th February 1861, in Marion{ XE "USA, Texas, Marion:(32.7983° N, 94.3575° W):Sears, Addison (1830-1895)" \f "Place" } when she was 25 years old. They had two daughters: Mary (1861-1883) and Harriet (1877-).

Addie was born in Bradford, McKean, Pennsylvania,{ XE "USA, Pennsylvania, McKean, Bradford:(41.9559° N, 78.6439° W):Warner, Adelaide Delphine \"Addie\" (1835-1905)" \f "Place" } on Sunday, 5th April 1835. She reached 69 years of age and died in Marshall, Harrison, Texas,{ XE "USA, Texas, Harrison, Marshall:(32.5449° N, 94.3674° W):Warner, Adelaide Delphine \"Addie\" (1835-1905)" \f "Place" } in 1905.

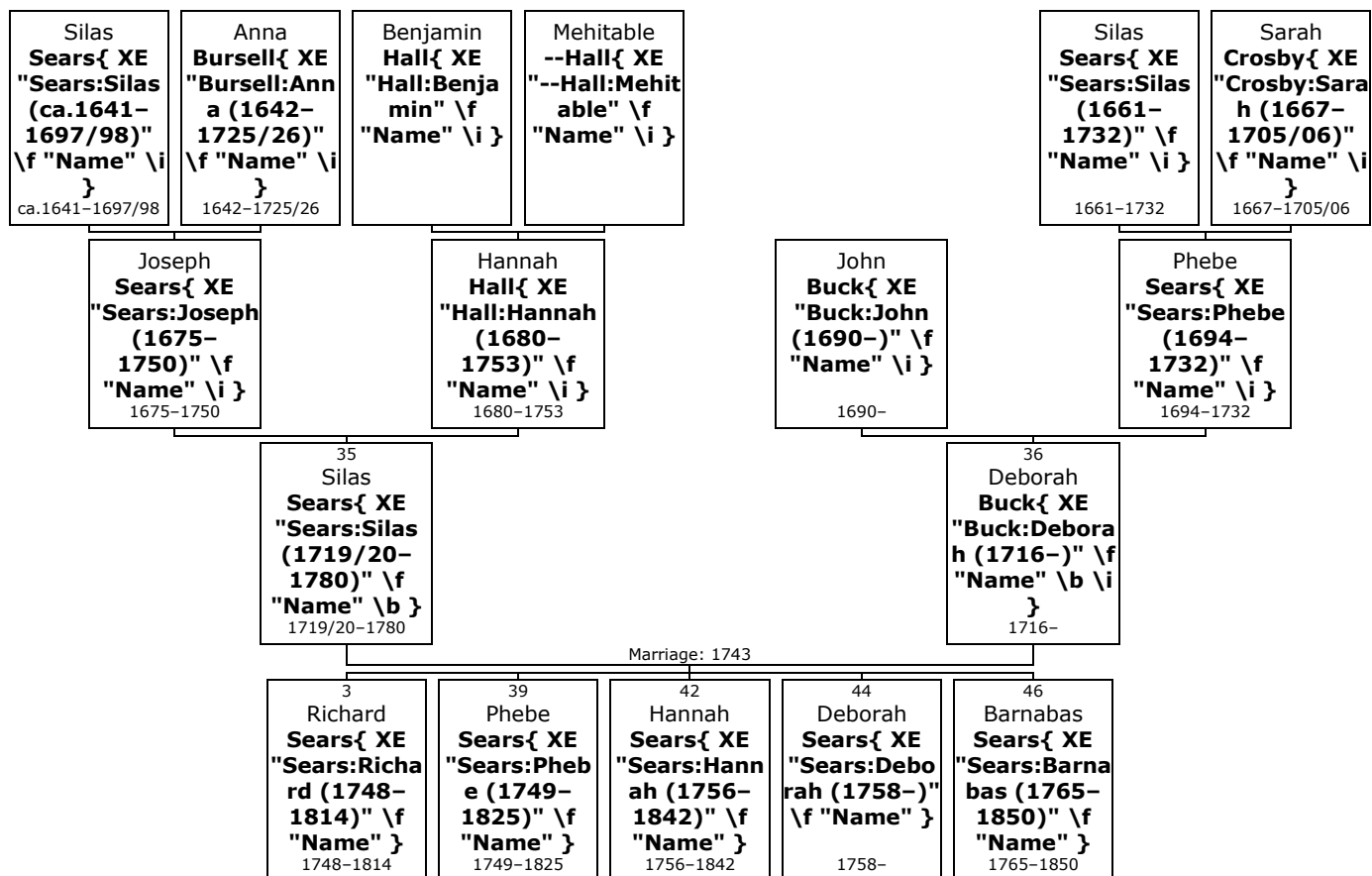
Daughters of Addison Sears and Adelaide Delphine Addie Warner:

- f I. **Mary Delphine⁶ Sears**{ XE "Sears:Mary Delphine (1861-1883)" \f "Name" \b } was born in Marshall, Harrison,{ XE "USA, Texas, Harrison, Marshall:(32.5449° N, 94.3674° W):Sears, Mary Delphine (1861-1883)" \f "Place" } on 25th December 1861. She died on 17th August 1883, at the age of 21.
- f II. **Harriet Anderson Sears**{ XE "Sears:Harriet Anderson (1877-)" \f "Name" \b } was born in Marshall{ XE "USA, Texas, Harrison, Marshall:(32.5449° N, 94.3674° W):Sears, Harriet Anderson (1877-)" \f "Place" } on 10th May 1877.

Related 2 Steps Removed{ TC "Related 2 Steps Removed" \f C}

Grandparents{ TC "Grandparents" \I 2 \f C}

Family of Silas Sears and Deborah Buck{ TC "Silas Sears and Deborah Buck" \I 3 \f C}



35. **Silas² Sears**{ XE "Sears:Silas (1719/20-1780)" \f "Name" \b } was born on 11th February 1719/20, in Yarmouth, Barnstable, Massachusetts, USA{ XE "USA, Massachusetts, Barnstable, Yarmouth:(41.7057° N, 70.2286° W):Sears, Silas (1719/20-1780)" \f "Place" }. He was the son of Joseph Sears{ XE "Sears:Joseph (1675-1750)" \f "Name" \i } and Hannah Hall{ XE "Hall:Hannah (1680-1753)" \f "Name" \i }.

Silas died in Greenwich, Hampshire,{ XE "USA, Massachusetts, Hampshire, Greenwich:(42.3351° N, 72.2699° W):Sears, Silas (1719/20-1780)" \f "Place" } on 29th February 1780, at the age of 60.

<https://www.wikitree.com/wiki/Sears-3951>

!S P May p.106 No. 90- Rev. E.H. Sears says Silas Sears removed to Rochester, Mass., but his name is not found in town or church records there, (prob. means No. 501)

!

! He was in Hardwick in 1765, and with his wife was admitted to church there, May 6,1770; he died in the adjoining town of Greenwich in 1780; was in Capt. Joseph Hooker's Co., Col. Ruggles Woodbury's Regt., Aug. 19 to Nov. 30, 1777, 175 miles travel, wages L 3 8 7; called "of Greenwich."

!

! His will, dated Feb. 22, 1780, was filed June 6 following by wife Deborah, Execx., and mentions children in above order, which is not, perhaps, that of their births.

!

!Har VR p. 88 m. int. Silas Sears Junr of Yarmouth & Deberough Buck of Harwich

!

!MD 24, p.153 Harwich VR p.32 These are to Enter ye Intention of Marriage bewtween Silas Sears Junr of Yarmouth & Deberough Buck of Harwich Februy 5th AD 1742

!
!MD 25, p.64, Harwich VR p.34 Married by Revd Nathl Stone
!
!DAR # 45575 fought in the early wars, served from Greenwich in the Revolution.
!
!Yar VR p. 89 Silas Sears of Yarmouth and Deborah Buck of Harwich pub Feb 6 1742

BIRTH: Letter from Carol Aldrich, Tulsa, OK, to Ray Sears, Duncan, OK; 1675-1989; Letter dtd 18 May 1994; ; copy in poss of Ray Sears, Duncan, OK; He had a total of 2 sons and 3 daughters. He died in Greenwich, MA 29 Feb 1780.

- 36.** Silas married **Deborah Buck**{ XE "Buck:Deborah (1716-)" \f "Name" \b \i } on 9th June 1743, in Harwich, Barnstable{ XE "USA, Massachusetts, Barnstable, Harwich:(41.6862° N, 70.0758° W):Sears, Silas (1719/20-1780)" \f "Place" }. They had five children: Richard (1748-1814), Phebe (1749-1825), Hannah (1756-1842), Deborah (1758-) and Barnabas (1765-1850).

Deborah was born in perh, Yarmouth,{ XE "USA, Massachusetts, Barnstable, Yarmouth, perh: :Buck, Deborah (1716-)" \f "Place" } in 1716. She was the daughter of John Buck{ XE "Buck:John (1690-)" \f "Name" \i } and Phebe Sears{ XE "Sears:Phebe (1694-1732)" \f "Name" \i }.

Children of Silas Sears and Deborah Buck:

- + 3 m I. **Richard³ Sears**{ XE "Sears:Richard (1748-1814)" \f "Name" } was born in Hardwick, Worcester,{ XE "USA, Massachusetts, Worcester, Hardwick:(42.3501° N, 72.1995° W):Sears, Richard (1748-1814)" \f "Place" } in 1748.^[71, 72-73] He died in perh, Hoosick, Rensselaer, New York,{ XE "USA, New York, Rensselaer, Hoosick, perh: :Sears, Richard (1748-1814)" \f "Place" } on 1st June 1814, at the age of 66.^[71, 73]
- + 39 f II. **Phebe Sears**{ XE "Sears:Phebe (1749-1825)" \f "Name" } was born in perh, Harwich, Barnstable,{ XE "USA, Massachusetts, Barnstable, Harwich, perh: :Sears, Phebe (1749-1825)" \f "Place" } in 1749. She died on 7th June 1825, at the age of 76.
- + 42 f III. **Hannah Sears**{ XE "Sears:Hannah (1756-1842)" \f "Name" } was born in perh, Hardwick, Worcester,{ XE "USA, Massachusetts, Worcester, Hardwick, perh: :Sears, Hannah (1756-1842)" \f "Place" } in 1756. She died in Barre{ XE "USA, Massachusetts, Worcester, Barre:(42.4229° N, 72.1051° W):Sears, Hannah (1756-1842)" \f "Place" } on 20th October 1842, at the age of 86.
- + 44 f IV. **Deborah Sears**{ XE "Sears:Deborah (1758-)" \f "Name" } was born in perh{ XE "USA, Massachusetts, Worcester, Hardwick, perh: :Sears, Deborah (1758-)" \f "Place" } in 1758.
- + 46 m V. **Barnabas Sears**{ XE "Sears:Barnabas (1765-1850)" \f "Name" } was born in Hardwick{ XE "USA, Massachusetts, Worcester, Hardwick:(42.3501° N, 72.1995° W):Sears, Barnabas (1765-1850)" \f "Place" } on 21st March 1765.^[74] He died in Amherst, Hampshire,{ XE "USA, Massachusetts, Hampshire, Amherst:(42.3804° N, 72.5232° W):Sears, Barnabas (1765-1850)" \f "Place" } on 26th February 1850, at the age of 84.^[74]

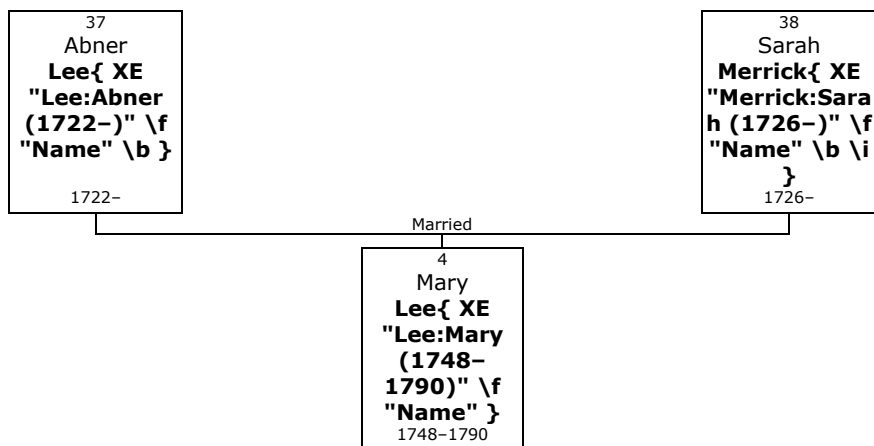
⁷¹ Ancestry.com, North America, Family Histories, 1500-2000 (Provo, UT, USA, Ancestry.com Operations, Inc., 2016), Ancestry.com, Book Title: Lineage Book : NSDAR : Volume 149 : 1919.

⁷² Ancestry.com, U.S., Sons of the American Revolution Membership Applications, 1889-1970 (Provo, UT, USA, Ancestry.com Operations, Inc., 2011), Ancestry.com, Volume: 252.

⁷³ Ancestry.com, North America, Family Histories, 1500-2000 (Provo, UT, USA, Ancestry.com Operations, Inc., 2016), Ancestry.com, Book Title: Lineage Book : NSDAR : Volume 096 : 1912.

⁷⁴ "Ancestry Family Tree", Record for Simeon W Sears-<https://www.ancestry.com/family-tree/tree/764436/person/240043036168>.
<http://search.ancestry.com/cgi-bin/sse.dll?db=2495&h=47426821&indiv=try>.

Family of Abner Lee and Sarah Merrick{ TC "Abner Lee and Sarah Merrick" \I 3 \f C}



37. **Abner² Lee**{ XE "Lee:Abner (1722-)" \f "Name" \b } was born in 1722 in Hardwick, Worcester, Massachusetts, USA{ XE "USA, Massachusetts, Worcester, Hardwick:(42.3501° N, 72.1995° W):Lee, Abner (1722-)" \f "Place" }.

!S.P. may hand note p.188 (of the Ipswich, Concord & Worcester family of Lees, and Harwich Merricks)
This is a Mayflower line

38. He married **Sarah Merrick**{ XE "Merrick:Sarah (1726-)" \f "Name" \b \i }. They had one daughter: Mary (1748-1790).

Sarah was born in perh, Hardwick,{ XE "USA, Massachusetts, Worcester, Hardwick, perh: :Merrick, Sarah (1726-)" \f "Place" } in 1726.

Daughter of Abner Lee and Sarah Merrick:

+ 4 f I. **Mary³ Lee**{ XE "Lee:Mary (1748-1790)" \f "Name" } was born in perh{ XE "USA, Massachusetts, Worcester, Hardwick, perh: :Lee, Mary (1748-1790)" \f "Place" } in 1748. She died between 1790 and 1792.^[75]

⁷⁵ Ancestry.com, North America, Family Histories, 1500-2000 (Provo, UT, USA, Ancestry.com Operations, Inc., 2016), Ancestry.com, Book Title: Lineage Book : NSDAR : Volume 149 : 1919.

Uncles/aunts{ TC "Uncles/aunts" \I 2 \f C}

Phebe Sears{ TC "Phebe Sears" \I 3 \f C}

39. Phebe³ Sears{ XE "Sears:Phebe (1749–1825)" \f "Name" \b } (*Silas*²) was born in 1749 in perh, Harwich, Barnstable, Massachusetts, USA{ XE "USA, Massachusetts, Barnstable, Harwich, perh: :Sears, Phebe (1749–1825)" \f "Place" }. She was the daughter of Silas Sears{ XE "Sears:Silas (1719/20–1780)" \f "Name" \i } (35) and Deborah Buck{ XE "Buck:Deborah (1716–)" \f "Name" \i } (36).

Phebe died on 7th June 1825, at the age of 76.

!S P May (No 335)

!http://www.rays-place.com/marrage/rutland-ma.htm

!Michah Boyden & Mar. Phebe Sears - May 17, 1774-Rutland marriages

!Barre BOYDEN Micah and Phebe Sears,m. Nov. 1, 1764.

<https://www.wikitree.com/wiki/Sears-2378>

From Thomas Boyden and His Descendants Pg. 43:

63. Micah, son of Joshua (26) and Mrs. Sarah (Smith) Chenery Boyden, b. Sept. 17, 1744, in Medfield; d. 1770 in Barre; m. Nov. 1, 1764, Phebe Sears, in Barre, to which he moved with his father about 1762: she survived him and m. Oct. 7, 1773, John Partridge, of Barre.

Children:

i. Katherine 6, b. _____; m.Mar. 8, 1787, James Underwood, of Barre.

ii. 145. Eli 6, b. Sept. 4, 1768.

iii. Mary 6, Bap. Sept. 23, 1770; m. Jan. 28, 1796, Cyrus Varney, of Barre, and d. there Oct. 14, 1841.

From appended version by John K. Boyden, Pg. 25.:

66. Micah Boyden (Joshua 4, Jonathon 3, Jonathon 2, Thomas 1) was born October 12, 1751 in Medfield, Massachusetts, and died 1770 in Barre, Vermont[2]. He married Phebe Sears November 01, 1762 in Barre., Vermont[2].

Children of Micah Boyden and Phebe Sears are:

i. Katherine (6) Boyden, m. Jonas Underwood, March 08, 1787, Barre, Vermont[2].

ii. 157. Eli Boyden, b. 1768; d. 1840, Chesterfield, New Hampshire.

iii. Mary Moyden, b. Barre, Vermont[2]; d. October 14, 1841, Barre, Vermont[2]; m. Cyrus Varney, January 28, 1796, Barre, Vermont[2].

This profile is a collaborative work-in-progress. Can you contribute information or sources?

Sources

Thomas Boyden and His Descendants, compiled by Wallace C. Boyden, A.M., Merrill N. Boyden, and Amos J. Boyden, privately printed by T. R. Marvin & Son, Boston MA, 1901. Appended by John K. Boyden (1936-2002). Phebe Sears is the wife of Micah Boyden, Record 63, Pg. 43. In the appended version, Micah is Record #66, Pg. 25.[3]

See also:

Famous Kin [1]

Add sources here.

Footnotes

↑ Profile created by Stephanie Ledbetter, 19 Jul 2016. Added information from Sharon, Massachusetts, history and genealogy researcher Nick Dann, 8 Dec 2017.

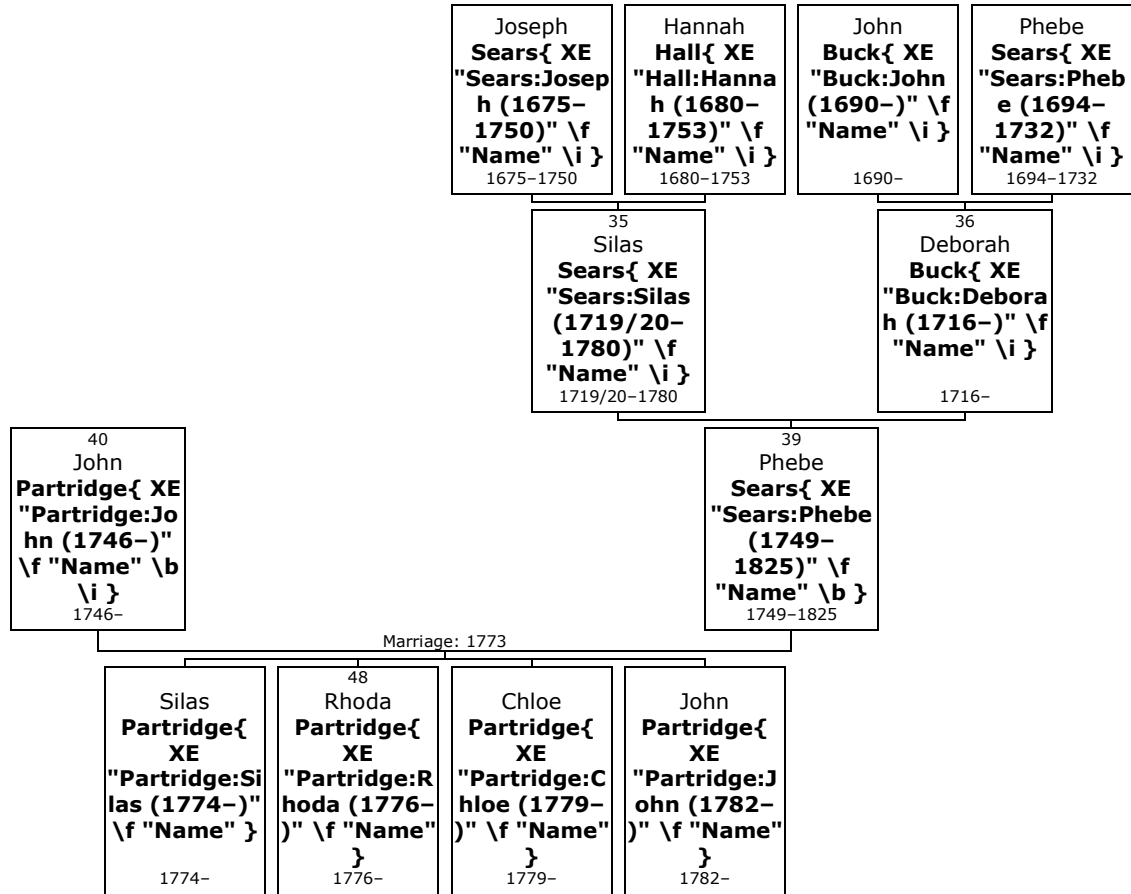
↑ 2.0 2.1 2.2 2.3 2.4 2.5 sic. Probably Barre, Massachusetts.

↑ Original manuscript, Record #63, Pg. 43

Boyden, Wallace C., et. al., Thomas Boyden and His Descendants, Boston, Massachusetts: Privately Printed (1901), 42, Internet Archive (Digital Library) [2].

Marriages with John Partridge and Micah Boydin (Page 61) are known.

Family of Phebe Sears and John Partridge{ TC "Phebe Sears and John Partridge" \l 4 \f C}



Here are the details about **Phebe Sears**{ XE "Sears:Phebe (1749-1825)" \f "Name" \b } first marriage, with John Partridge. You can read more about Phebe on page 59.

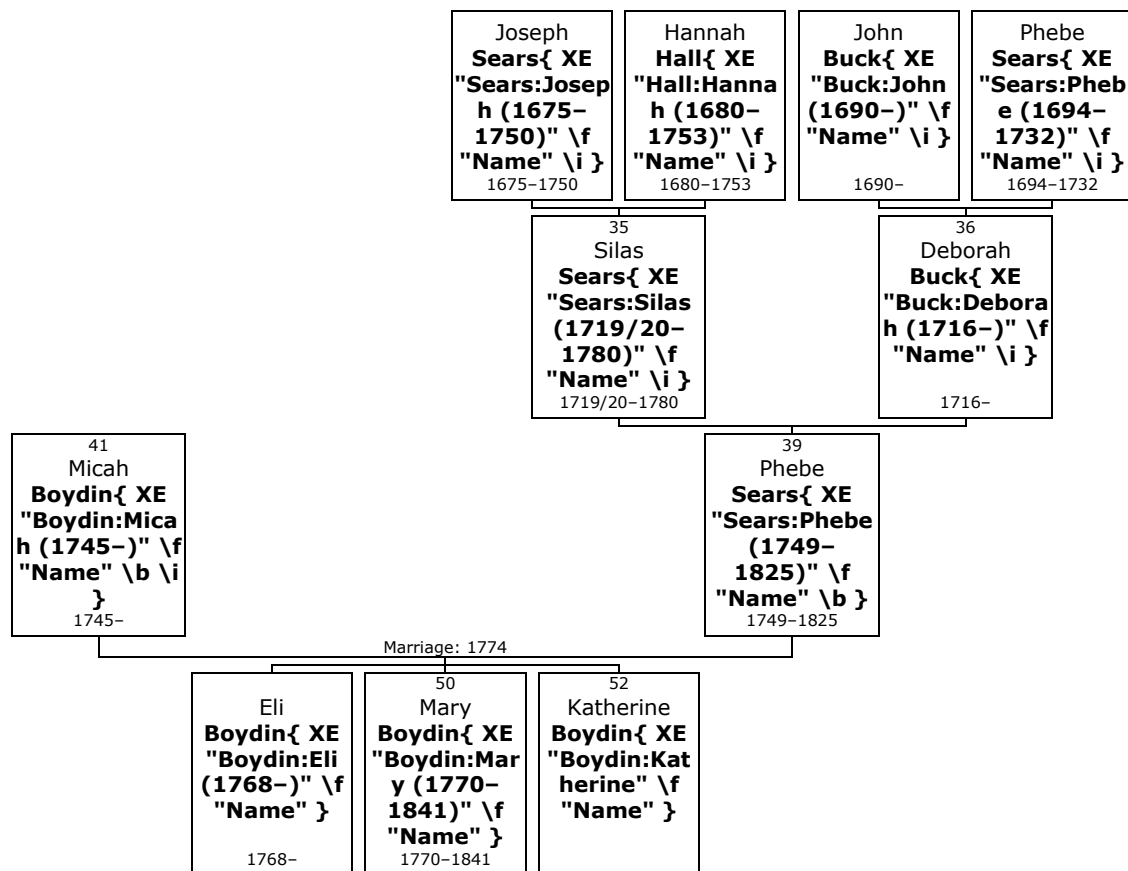
40. At the age of 24, Phebe Sears married **John Partridge**{ XE "Partridge:John (1746-)" \f "Name" \b \i } on Thursday, 7th October 1773, when he was 26 years old. They had four children: Silas (1774-), Rhoda (1776-), Chloe (1779-) and John (1782-).

John was born on 28th October 1746. Sherbor.

Children of Phebe Sears and John Partridge:

- m I. **Silas⁴ Partridge**{ XE "Partridge:Silas (1774-)" \f "Name" \b } was born on 5th June 1774.
- + 48 f II. **Rhoda Partridge**{ XE "Partridge:Rhoda (1776-)" \f "Name" } was born on 10th July 1776.
- f III. **Chloe Partridge**{ XE "Partridge:Chloe (1779-)" \f "Name" \b } was born on 20th September 1779.
- m IV. **John Partridge**{ XE "Partridge:John (1782-)" \f "Name" \b } was born on 27th March 1782.

Family of Phebe Sears and Micah Boydin{ TC "Phebe Sears and Micah Boydin" \I 4 \f C}



Here are the details about **Phebe Sears**{ XE "Sears:Phebe (1749-1825)" \f "Name" \b } second marriage, with Micah Boydin. You can read more about Phebe on page 59.

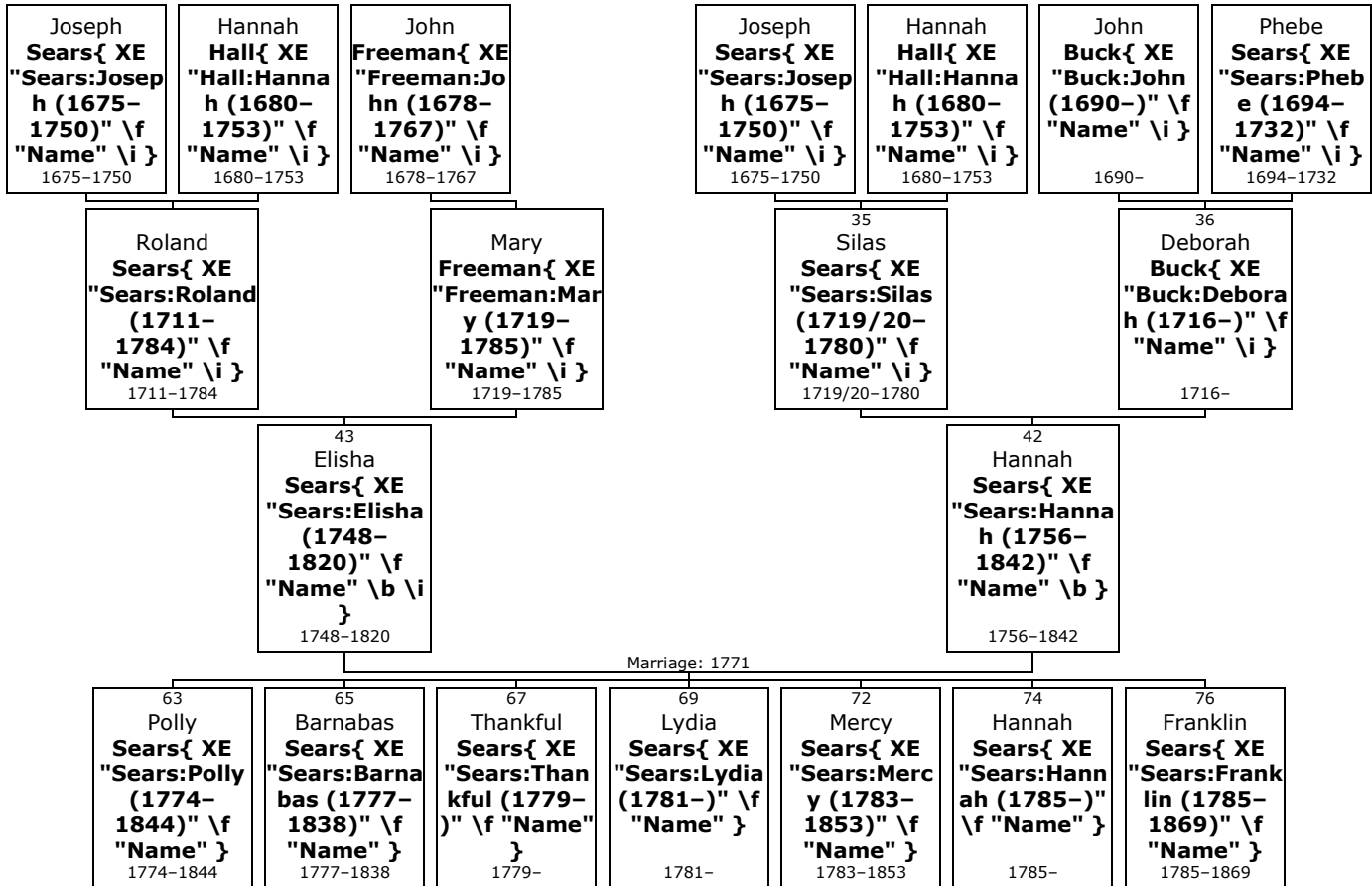
41. Phebe Sears married **Micah Boydin**{ XE "Boydin:Micah (1745-)" \f "Name" \b \i } on Tuesday, 17th May 1774. They had three children: Eli (1768-), Mary (1770-1841) and Katherine.

Micah was born in 1745.

Children of Phebe Sears and Micah Boydin:

- m I. **Eli^d Boydin**{ XE "Boydin:Eli (1768-)" \f "Name" \b } was born on 4th September 1768.
- + 50 f II. **Mary Boydin**{ XE "Boydin:Mary (1770-1841)" \f "Name" } was born on 23rd September 1770. She died on 14th October 1841, at the age of 71.
- + 52 f III. **Katherine Boydin**{ XE "Boydin:Katherine" \f "Name" }.

Family of Hannah Sears and Elisha Sears{ TC "Hannah Sears and Elisha Sears" \I 3 \f C}



42. **Hannah³ Sears**{ XE "Sears:Hannah (1756-1842)" \f "Name" \b \i } (*Silas*²) was born in 1756 in perh, Hardwick, Worcester, Massachusetts, USA{ XE "USA, Massachusetts, Worcester, Hardwick, perh: :Sears, Hannah (1756-1842)" \f "Place" \i }. She was the daughter of Silas Sears{ XE "Sears:Silas (1719/20-1780)" \f "Name" \i } (35) and Deborah Buck{ XE "Buck:Deborah (1716-)" \f "Name" \i } (36).

Hannah died in Barre{ XE "USA, Massachusetts, Worcester, Barre:(42.4229° N, 72.1051° W):Sears, Hannah (1756-1842)" \f "Place" \i } on 20th October 1842, at the age of 86.

!S P May (No 337) p.106

<https://www.wikitree.com/index.php?title=Sears-4245>

43. At the age of 15, Hannah married **Sergt Elisha Sears**{ XE "Sears:Elisha (1748-1820)" \f "Name" \b \i } on Thursday, 31st October 1771, in Hardwick{ XE "USA, Massachusetts, Worcester, Hardwick:(42.3501° N, 72.1995° W):Sears, Hannah (1756-1842)" \f "Place" \i } when he was 23 years old. They had seven children: Polly (1774-1844), Barnabas (1777-1838), Thankful (1779-), Lydia (1781-), Mercy (1783-1853), Hannah (1785-) and Franklin (1785-1869).

Elisha was born in Hardwick{ XE "USA, Massachusetts, Worcester, Hardwick:(42.3501° N, 72.1995° W):Sears, Elisha (1748-1820)" \f "Place" \i } on 6th June 1748. He was the son of Roland Sears{ XE "Sears:Roland (1711-1784)" \f "Name" \i } and Mary Freeman{ XE "Freeman:Mary (1719-1785)" \f "Name" \i }.

Elisha died in Barre{ XE "USA, Massachusetts, Worcester, Barre:(42.4229° N, 72.1051° W):Sears, Elisha (1748-1820)" \f "Place" \i } between 1820 and 1821.

<https://www.wikitree.com/wiki/Sears-3200>

!S.P. May p.186, No 328, Elisha Sears of Hutchison, now Barre, MA, marched on Lexington alarm, in Capt John Black's Co., 20 Apr 1775, 180 miles, and 11 days' service, £1.6.6 1/2; served in Capt Benj. Nye's Co. for assistance to Northern army, 26 Sep 1777; 29 days' service and 128 miles' travel; 27 Mar to 29 Jul 1778, he was in Capt Mareau's Co., in Col. Stearns' Regt of Guards at Cambridge, "guarding troops of the Convention," and was Sergeant in Lt Wm Muzzy's Co., Col Nathan Sparhawk's Regt., from 5-15 Jul 1778,

at the barracks in Rutland; 10 miles travel.

!

!History of Barre, p. 276 An interesting episode concerned a Barre resident, Henry Sibley, who was a veteran of several campaigns which included a march to Ticonderoga. Sibley enlisted as a sergeant in a Mass regiment of artillery for three years. When it became apparent that this organization was about to leave Boston and participate in action in other colonies, Sibley and several others signed a statement that they would not leave their home colony unless their pay was increased to a level commensurate with that of the artillery of the Continental Army. The signers found themselves in Boston city jail. History does not record how these men regained the good graces of their officer. But they obviously did. Sibley is recorded as Quartermaster Sergeant of Lt Col Paul Revere's Artillery in 1780."

! He was blind for many years previous to his death.

! His widow resided with her daughter Polly, and her name appears as a US pensioner in 1840, then of Barre, ae. 84. ! They were worthy, industrious people.

! The children are perhaps not placed in order of birth.

!

!Vital Records of Hardwick, Massachusetts, to the Year 1850 Compiled by Thomas W. Baldwin ,Boston, Mass., 1917 ; Elisha and Hannah Sears, m. Oct. 31, 1771. C.R.

!

!History of Barre, Windows into the Past, Connington, Helen W, 1992, Barre Hist Comm. Map of Barre showing Original Division of Town into Great Farms and House Lots in 1734 and its present Inhabitants with the RailRoads, Highways, Rivers, Streams &c 1875 Hardwick borders Barre on the West, New Braintree SW, Oakham S, Rutland, SE, Hubbardston E, Petersham N First known deed of land 1726. J. Sanderson in block 24 N of Barre Centre S.[Sumner? Elisha's grandson] Sears is in section 10 just 300 rods west of Barre Centre on South St with S E Bates to the west of him and G. Lowe to the east. Just a little west of Dick's Brook which flows into Prince River.

Children of Hannah Sears and Elisha Sears:

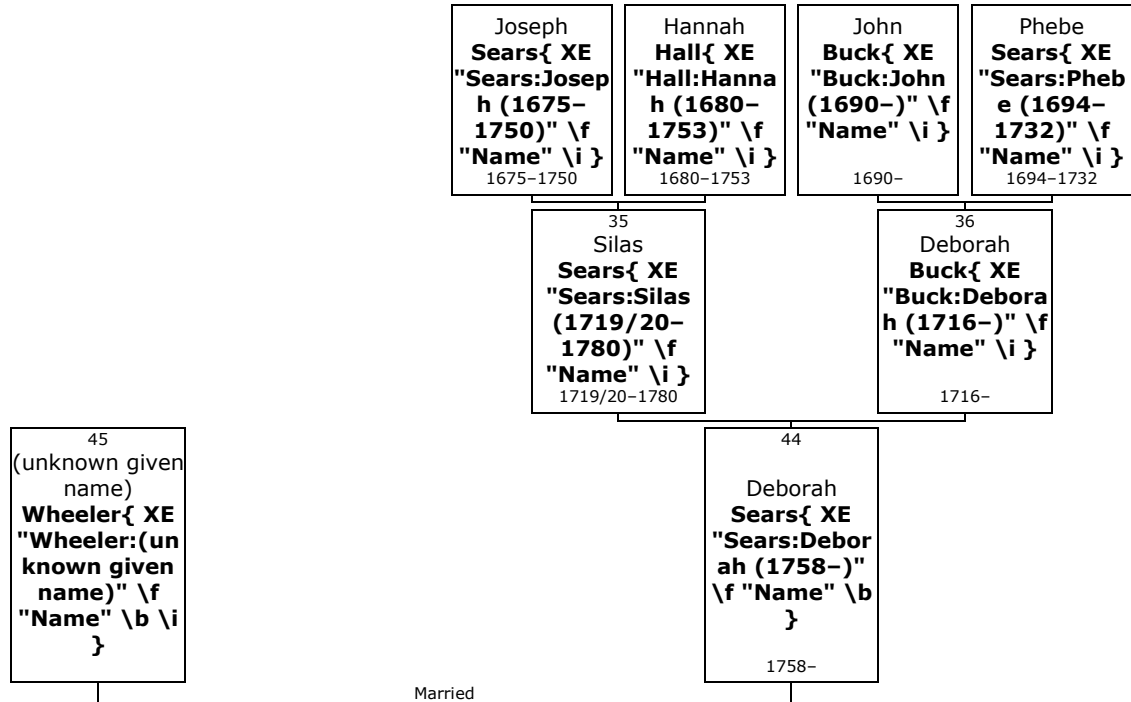
- + 63 f I. **Polly^d Sears**{ XE "Sears:Polly (1774-1844)" \f "Name" } was born in Barre{ XE "USA, Massachusetts, Worcester, Barre:(42.4229° N, 72.1051° W):Sears, Polly (1774-1844)" \f "Place" } in 1774.^[76, 77] She died in Barre{ XE "USA, Massachusetts, Worcester, Barre:(42.4229° N, 72.1051° W):Sears, Polly (1774-1844)" \f "Place" } on 29th January 1844, at the age of 70.^[76, 77]
- + 65 m II. **Barnabas Sears**{ XE "Sears:Barnabas (1777-1838)" \f "Name" } was born in Barre{ XE "USA, Massachusetts, Worcester, Barre:(42.4229° N, 72.1051° W):Sears, Barnabas (1777-1838)" \f "Place" } on 11th June 1777. He died in Hardwick{ XE "USA, Massachusetts, Worcester, Hardwick:(42.3501° N, 72.1995° W):Sears, Barnabas (1777-1838)" \f "Place" } on 3rd October 1838, at the age of 61.
- + 67 f III. **Thankful Sears**{ XE "Sears:Thankful (1779-)" \f "Name" } was born in Barre{ XE "USA, Massachusetts, Worcester, Barre:(42.4229° N, 72.1051° W):Sears, Thankful (1779-)" \f "Place" } in 1779.
- + 69 f IV. **Lydia Sears**{ XE "Sears:Lydia (1781-)" \f "Name" } was born in Barre{ XE "USA, Massachusetts, Worcester, Barre:(42.4229° N, 72.1051° W):Sears, Lydia (1781-)" \f "Place" } in 1781.
- + 72 f V. **Mercy Sears**{ XE "Sears:Mercy (1783-1853)" \f "Name" } was born in Barre{ XE "USA, Massachusetts, Worcester, Barre:(42.4229° N, 72.1051° W):Sears, Mercy (1783-1853)" \f "Place" } in 1783. She died in 1853 at the age of 70.
- + 74 f VI. **Hannah Sears**{ XE "Sears:Hannah (1785-)" \f "Name" } was born in Barre{ XE "USA, Massachusetts, Worcester, Barre:(42.4229° N, 72.1051° W):Sears, Hannah (1785-)" \f "Place" } in 1785. She died in Albion, Orleans, New York{ XE "USA, New York, Orleans, Albion:(43.2464° N, 78.1939° W):Sears, Hannah (1785-)" \f "Place" }.
- + 76 m VII. **Franklin Sears**{ XE "Sears:Franklin (1785-1869)" \f "Name" } was born in Barre{ XE "USA, Massachusetts, Worcester, Barre:(42.4229° N, 72.1051° W):Sears, Franklin (1785-1869)" \f "Place" } on 3rd October 1785.^[76] He died in Leicester, Livingston, New

⁷⁶ Ancestry.com, U.S., Find A Grave Index, 1600s-Current (Provo, UT, USA, Ancestry.com Operations, Inc., 2012), Ancestry.com.

⁷⁷ Ancestry.com, Massachusetts, Town and Vital Records, 1620-1988 (Provo, UT, USA, Ancestry.com Operations, Inc., 2011), Ancestry.com.

York, { XE "USA, New York, Livingston, Leicester:(42.772° N, 77.8966° W):Sears, Franklin (1785-1869)" \f "Place" } on 4th January 1869, at the age of 83.^[76]

Family of Deborah Sears and Wheeler{ TC "Deborah Sears and Wheeler" \I 3 \f C}



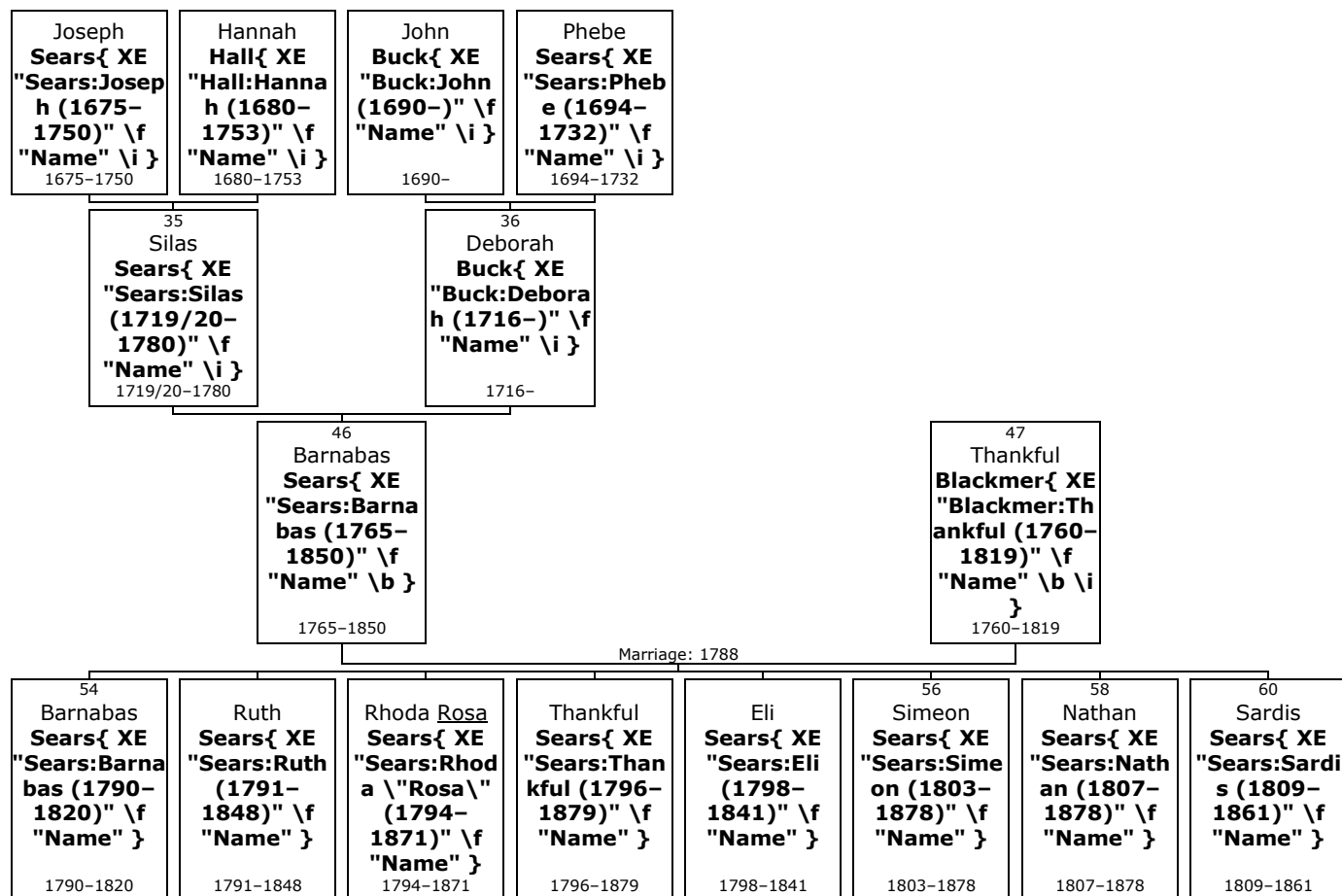
- 44.** **Deborah³ Sears**{ XE "Sears:Deborah (1758-)" \f "Name" \b } (*Silas*²) was born in 1758 in perh, Hardwick, Worcester, Massachusetts, USA{ XE "USA, Massachusetts, Worcester, Hardwick, perh: :Sears, Deborah (1758-)" \f "Place" }. She was the daughter of Silas Sears{ XE "Sears:Silas (1719/20-1780)" \f "Name" \i } (35) and Deborah Buck{ XE "Buck:Deborah (1716-)" \f "Name" \i } (36).

!S P May No 338

<https://www.wikitree.com/index.php?title=Sears-4247>

- 45.** She married **(unknown given name) Wheeler**{ XE "Wheeler:(unknown given name)" \f "Name" \b \i }.

Family of Barnabas Sears and Thankful Blackmer{ TC "Barnabas Sears and Thankful Blackmer" \I 3 \f C}



46. Barnabas³ Sears{ XE "Sears:Barnabas (1765-1850)" \f "Name" \b } (Silas²) was born on Thursday, 21st March 1765, in Hardwick, Worcester, Massachusetts, USA{ XE "USA, Massachusetts, Worcester, Hardwick:(42.3501° N, 72.1995° W):Sears, Barnabas (1765-1850)" \f "Place" }.^[78] He was the son of Silas Sears{ XE "Sears:Silas (1719/20-1780)" \f "Name" \i } (35) and Deborah Buck{ XE "Buck:Deborah (1716-)" \f "Name" \i } (36).

Barnabas died in Amherst, Hampshire,{ XE "USA, Massachusetts, Hampshire, Amherst:(42.3804° N, 72.5232° W):Sears, Barnabas (1765-1850)" \f "Place" } on 26th February 1850, at the age of 84.^[78] He was buried in Amherst{ XE "USA, Massachusetts, Hampshire, Amherst:(42.3804° N, 72.5232° W):Sears, Barnabas (1765-1850)" \f "Place" }.^[78]

<https://www.wikitree.com/index.php?title=Sears-4246>

<https://www.ancestry.com/family-tree/person/tree/631475/person/1047924323> tree of Meadow56

!S P May No 339 p.189 Barnabas Sears was drafted Jul 1779, to serve 9 months in Continental Army, under act of 9 Jun 1779; was in Capt Power's Co., age 16; 5 ft in height; brown complexion. In his later days he resided in Amherst with his three unmarried daughters, and drew a pension.

!

!Hardwick VR SEARS Barnabus, s. of Silas and Deborah, b. Mar. 21, 1763.

!

!Mass death records Sears Barnabas Amherst 1850 vol 49 p1 Death Amherst VR-642 - Barnabas, s. Silas & Deborah (Buck), March 21, 1763, at Hardwick, drafted July 1779 for 9 months into Cont. Army, resident of Greenwich 1780 through 1809, resident of Pelham 1822, of Amh. by 1835, farmer at Amh. 1840,

⁷⁸ "Ancestry Family Tree", Record for Simeon W Sears-<https://www.ancestry.com/family-tree/tree/764436/person/240043036168>. <http://search.ancestry.com/cgi-bin/sse.dll?db=2495&h=47426821&indiv=try>.

pensioner at Amh., farmer at Amh. 1850, also owned land at Shutesbury. [JAS]-J. A. Smith's "Families of Amherst, Hampshire County". http://dunhamwilcox.net/ma/0-index_amherst.htm

!

!Amherst VR Marriages 197 - Barnabas Silas, and Thankful Blackmer, ____ ____, ____, 8 ch., 1790-1809. [VR1] 642 - Barnabas, s. Silas & Deborah (Buck), and Thankful Blackmer, of Greenwich, January 24, 1788, at Greenwich. [JAS] 165 - Barnabas, d. Feb. 26, 1850, ? 85. [GR2]-North Cemetery Inscriptions, 1823-1935. 642 - Barnabas, h. Thankful (Blackmer), s. Silas & Deborah (Buck), February 26, 1850, of old age, at Amh. [JAS] 197 - Barnabas Silas, and Thankful Blackmer, m. ____ ____, ____, 8 ch., 1790-1809. [VR1]-Vital Records Book A, 1745-1855. 642 - Barnabas, s. Silas & Deborah (Buck), and Thankful Blackmer, of Greenwich, m. January 24, 1788, at Greenwich. [JAS]

- 47.** At the age of 22, Barnabas married **Thankful Blackmer**{ XE "Blackmer:Thankful (1760-1819)" \f "Name" \b \i } on Thursday, 24th January 1788, when she was 27 years old. They had eight children: Barnabas (1790-1820), Ruth (1791-1848), Rosa (1794-1871), Thankful (1796-1879), Eli (1798-1841), Simeon (1803-1878), Nathan (1807-1878) and Sardis (1809-1861).

Thankful was born in Greenwich, Hampshire County,{ XE "USA, Massachusetts, Hampshire County, Greenwich:(42.3351° N, 72.2699° W):Blackmer, Thankful (1760-1819)" \f "Place" } on Wednesday, 15th October 1760. She reached 58 years of age and died on 15th April 1819. Thankful was buried in Amherst, Hampshire,{ XE "USA, Massachusetts, Hampshire, Amherst:(42.3804° N, 72.5232° W):Blackmer, Thankful (1760-1819)" \f "Place" }.

had Thankful Sears for some reason 642 - Thankful (Blackmer), w. Barnabas, April 15, 1819, perhaps at Pelham. [JAS][6238] 165 - Thankful, April 15, 1819, ? 52. [GR2]-North Cemetery Inscriptions, 1823-1935.

Children of Barnabas Sears and Thankful Blackmer:

- + 54 m I. **Barnabas⁴ Sears**{ XE "Sears:Barnabas (1790-1820)" \f "Name" } was born in Hardwick, Worcester,{ XE "USA, Massachusetts, Worcester, Hardwick:(42.3501° N, 72.1995° W):Sears, Barnabas (1790-1820)" \f "Place" } in September 1790.^[79] He died in Savannah, Chatham, Georgia,{ XE "USA, Georgia, Chatham, Savannah:(32.0833° N, 81.1° W):Sears, Barnabas (1790-1820)" \f "Place" } on 20th September 1820, at the age of 30.^[79]
- f II. **Ruth Sears**{ XE "Sears:Ruth (1791-1848)" \f "Name" \b } was born in Hardwick{ XE "USA, Massachusetts, Worcester, Hardwick:(42.3501° N, 72.1995° W):Sears, Ruth (1791-1848)" \f "Place" } on 22nd September 1791. She died in Amherst, Hampshire,{ XE "USA, Massachusetts, Hampshire, Amherst:(42.3804° N, 72.5232° W):Sears, Ruth (1791-1848)" \f "Place" } on 5th October 1848, at the age of 57.
- f III. **Rhoda Rosa Sears**{ XE "Sears:Rhoda \"Rosa\" (1794-1871)" \f "Name" \b } was born in Hardwick{ XE "USA, Massachusetts, Worcester, Hardwick:(42.3501° N, 72.1995° W):Sears, Rhoda \"Rosa\" (1794-1871)" \f "Place" } on 28th February 1794. was 29 Feb? She died on 17th August 1871, at the age of 77.
- f IV. **Thankful Sears**{ XE "Sears:Thankful (1796-1879)" \f "Name" \b } was born in Hardwick{ XE "USA, Massachusetts, Worcester, Hardwick:(42.3501° N, 72.1995° W):Sears, Thankful (1796-1879)" \f "Place" } on 23rd September 1796. She died on 9th October 1879, at the age of 83.
- m V. **Eli Sears**{ XE "Sears:Eli (1798-1841)" \f "Name" \b } was born in Greenwich, Hampshire,{ XE "USA, Massachusetts, Hampshire, Greenwich:(42.3351° N, 72.2699° W):Sears, Eli (1798-1841)" \f "Place" } in June 1798. He died on 6th October 1841, at the age of 43.
- + 56 m VI. **Simeon Sears**{ XE "Sears:Simeon (1803-1878)" \f "Name" } was born in Hardwick, Worcester,{ XE "USA, Massachusetts, Worcester, Hardwick:(42.3501° N, 72.1995° W):Sears, Simeon (1803-1878)" \f "Place" } on 13th June 1803. He was also known as **Simon W Sears**{ XE "Sears:Simon (Simeon Sears) (1803-1878)" \f "Name" }.

⁷⁹ Ancestry.com, Savannah, Georgia Vital Records, 1803-1966 (Provo, UT, USA, Ancestry.com Operations, Inc., 2011), Ancestry.com.

Simeon died in Batavia, Genesee, New York, { XE "USA, New York, Genesee, Batavia:(42.9981° N, 78.1875° W):Sears, Simeon (1803–1878)" \f "Place" } on 11th October 1878, at the age of 75.^[80]

+ 58 m VII. **Nathan Sears**{ XE "Sears:Nathan (1807–1878)" \f "Name" } was born in Hardwick{ XE "USA, Massachusetts, Worcester, Hardwick:(42.3501° N, 72.1995° W):Sears, Nathan (1807–1878)" \f "Place" } on 31st May 1807.^[81, 82] He died in Amherst, Hampshire,{ XE "USA, Massachusetts, Hampshire, Amherst:(42.3804° N, 72.5232° W):Sears, Nathan (1807–1878)" \f "Place" } on 20th January 1878, at the age of 70.^[81, 82]

+ 60 m VIII. **Sardis Sears**{ XE "Sears:Sardis (1809–1861)" \f "Name" } was born in Greenwich, Hampshire,{ XE "USA, Massachusetts, Hampshire, Greenwich:(42.3351° N, 72.2699° W):Sears, Sardis (1809–1861)" \f "Place" } on 5th September 1809.^[81] He died in Amherst{ XE "USA, Massachusetts, Hampshire, Amherst:(42.3804° N, 72.5232° W):Sears, Sardis (1809–1861)" \f "Place" } on 18th March 1861, at the age of 51.^[81]

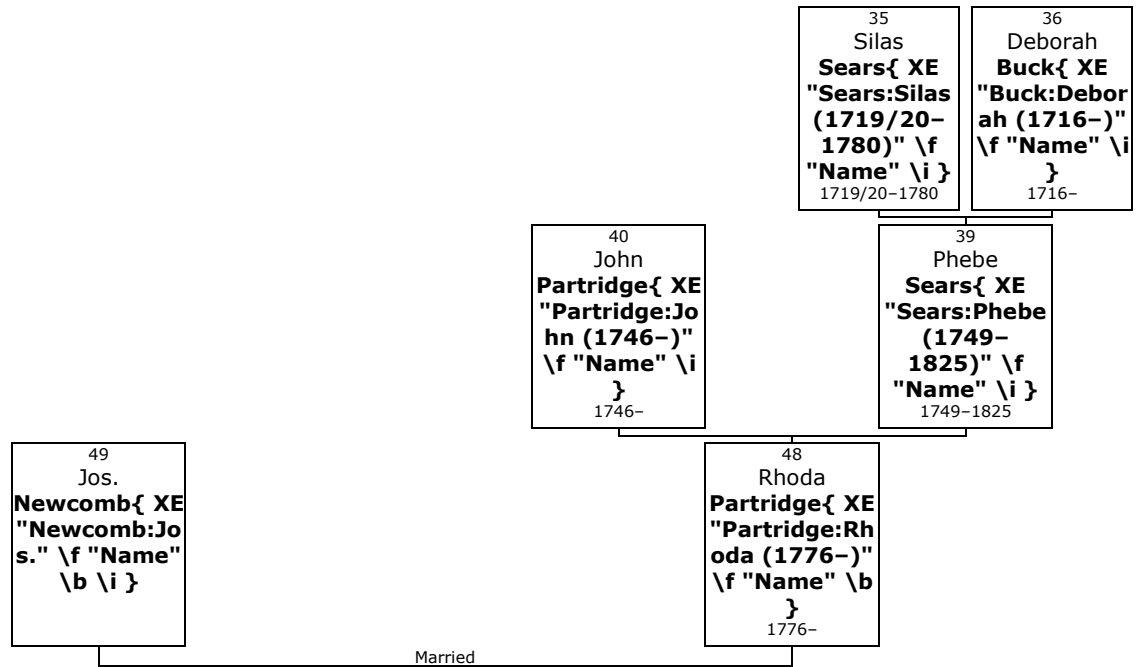
⁸⁰ "Ancestry Family Tree", Record for Maria T Sears-
<https://www.ancestry.com/family-tree/person/tree/764436/person/240043036168/facts> tree of Meadow56.
<http://search.ancestry.com/cgi-bin/sse.dll?db=7836&h=595724&indiv=try>.

⁸¹ Ancestry.com, Massachusetts, Town and Vital Records, 1620-1988 (Provo, UT, USA, Ancestry.com Operations, Inc., 2011), Ancestry.com.

⁸² Ancestry.com, U.S., Find A Grave Index, 1600s-Current (Provo, UT, USA, Ancestry.com Operations, Inc., 2012), Ancestry.com.

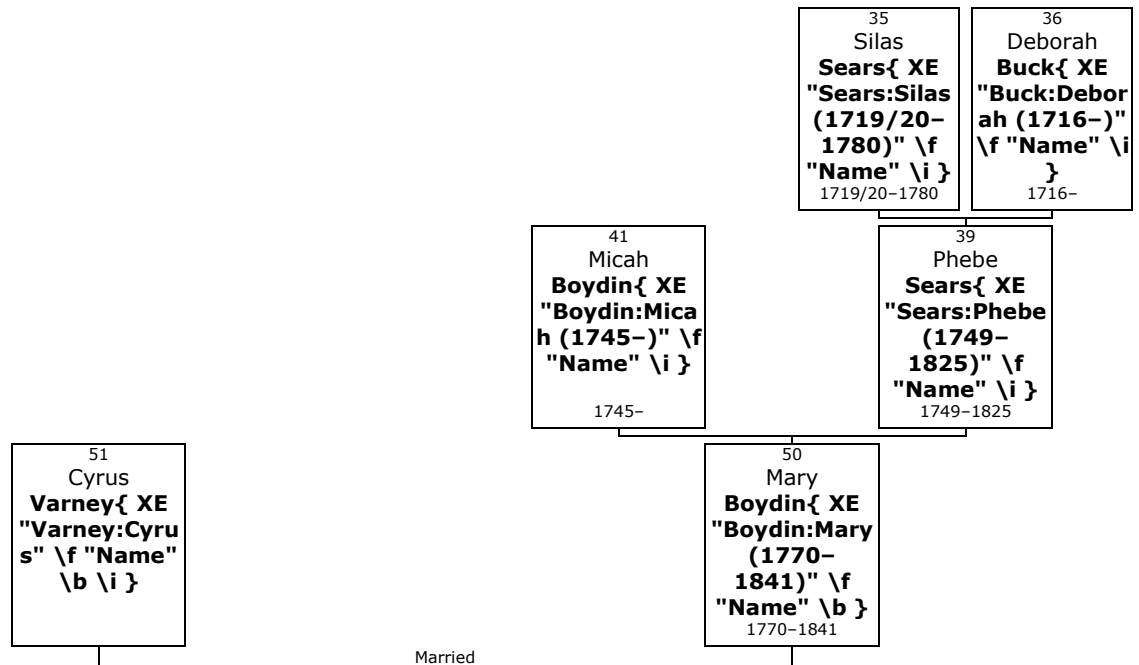
1st Cousins{ TC "1st Cousins" \I 2 \f C}

Family of Rhoda Partridge and Jos. Newcomb{ TC "Rhoda Partridge and Jos. Newcomb" \I 3 \f C}



48. **Rhoda⁴ Partridge**{ XE "Partridge:Rhoda (1776-)" \f "Name" \b } (*Phebe³ Sears, Silas²*) was born on Wednesday, 10th July 1776. She was the daughter of John Partridge{ XE "Partridge:John (1746-)" \f "Name" \i } (40) and Phebe Sears{ XE "Sears:Phebe (1749-1825)" \f "Name" \i } (39).
49. Rhoda married **Jos. Newcomb**{ XE "Newcomb:Jos." \f "Name" \b \i }.

Family of Mary Boydin and Cyrus Varney{ TC "Mary Boydin and Cyrus Varney" \I 3 \f C}

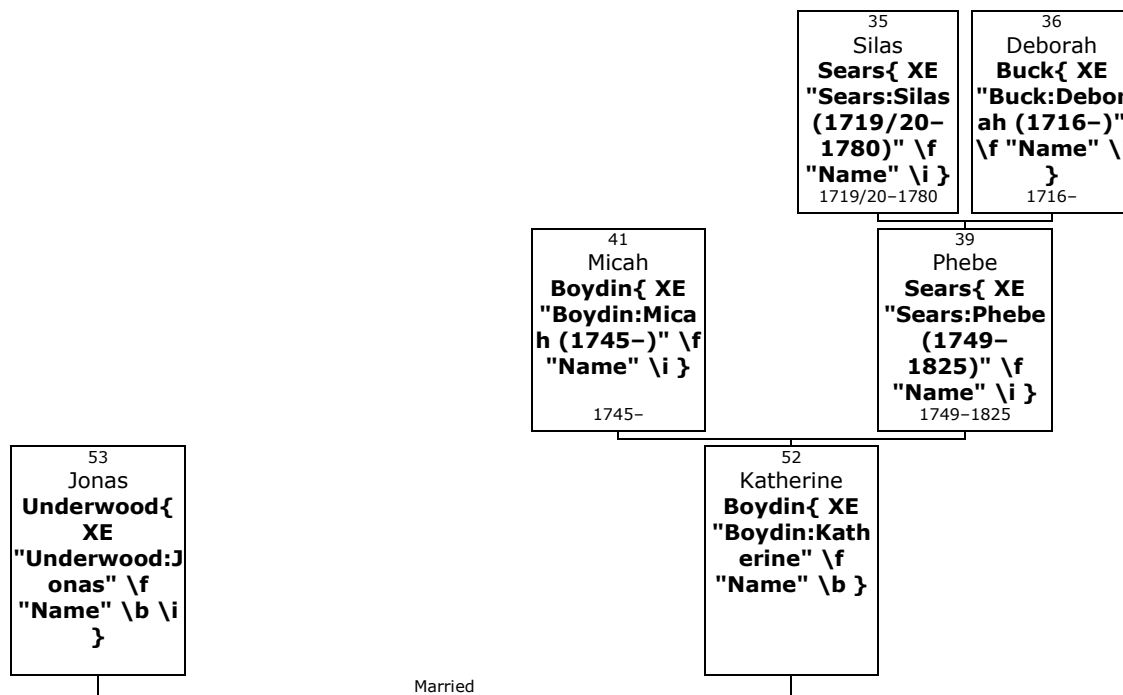


50. **Mary⁴ Boydin**{ XE "Boydin:Mary (1770-1841)" \f "Name" \b } (*Phebe³ Sears, Silas²*) was born on Sunday, 23rd September 1770. She was the daughter of Micah Boydin{ XE "Boydin:Micah (1745-)" \f "Name" \i } (41) and Phebe Sears{ XE "Sears:Phebe (1749-1825)" \f "Name" \i } (39).

Mary died on 14th October 1841, at the age of 71.

51. Mary married **Cyrus Varney**{ XE "Varney:Cyrus" \f "Name" \b \i }.

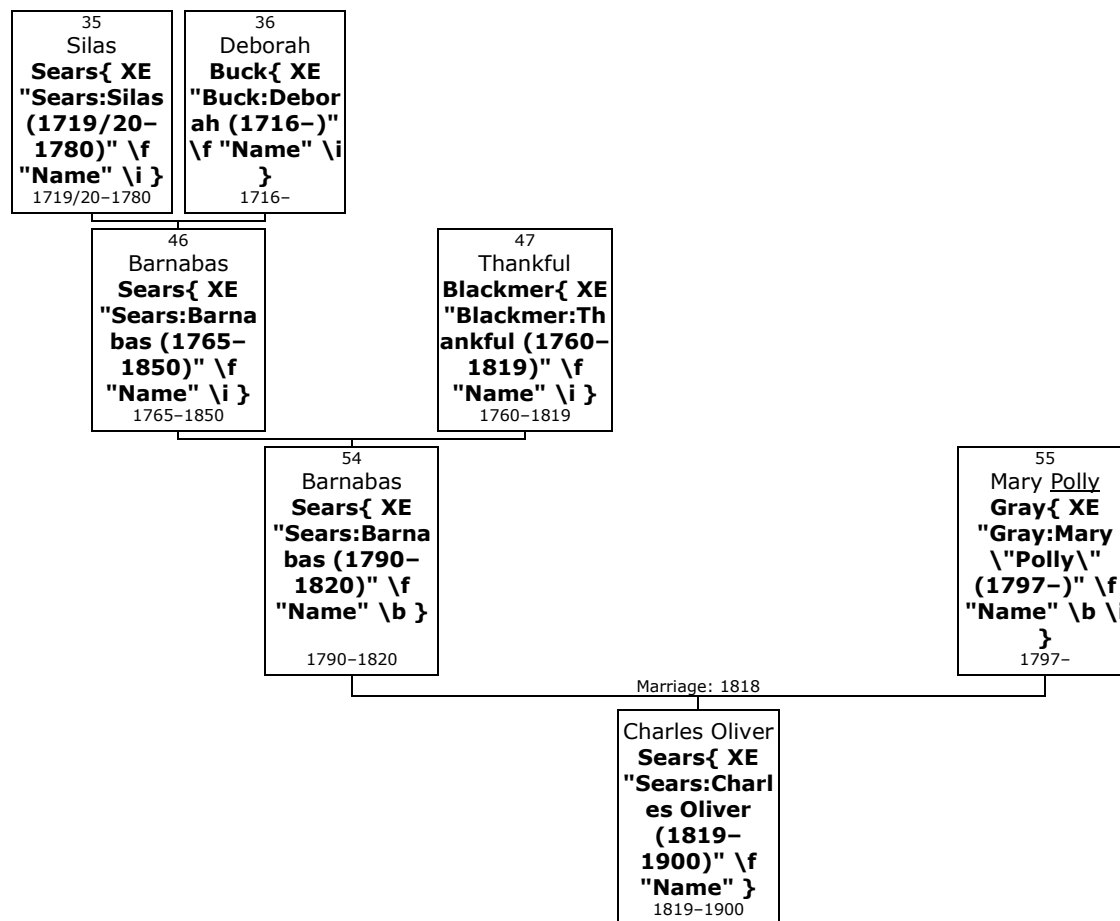
Family of Katherine Boydin and Jonas Underwood{ TC "Katherine Boydin and Jonas Underwood" \I 3 \f C}



52. **Katherine⁴ Boydin**{ XE "Boydin:Katherine" \f "Name" \b } (*Phebe³ Sears, Silas²*). She is the daughter of Micah Boydin{ XE "Boydin:Micah (1745-)" \f "Name" \i } (41) and Phebe Sears{ XE "Sears:Phebe (1749-1825)" \f "Name" \i } (39).

53. She married **Jonas Underwood**{ XE "Underwood:Jonas" \f "Name" \b \i }.

Family of Barnabas Sears and Polly Gray{ TC "Barnabas Sears and Polly Gray" \I 3 \f C}



54. Barnabas⁴ Sears{ XE "Sears:Barnabas (1790-1820)" \f "Name" \b } (*Barnabas³, Silas²*) was born in September 1790 in Hardwick, Worcester, Massachusetts, USA{ XE "USA, Massachusetts, Worcester, Hardwick:(42.3501° N, 72.1995° W):Sears, Barnabas (1790-1820)" \f "Place" }.^[83, 84] He was the son of Barnabas Sears{ XE "Sears:Barnabas (1765-1850)" \f "Name" \i } (46) and Thankful Blackmer{ XE "Blackmer:Thankful (1760-1819)" \f "Name" \i } (47).

Barnabas died in Savannah, Chatham, Georgia,{ XE "USA, Georgia, Chatham, Savannah:(32.0833° N, 81.1° W):Sears, Barnabas (1790-1820)" \f "Place" } on 20th September 1820, at the age of 30.^[83]

!S.P. May p.313 Died of yellow fever. Polly Sears was appointed administratrix of Barnabas Sears, Jr., of Pelham, 6 Mar 1821; Barnabas Sears and Wm M Gray, sureties.

!Pelham VR GRAY Polly and Barnabas [int. Barnabus] Sears Jr., m. May 21 [1818]. * 642 - Barnabas (1st h.), s. Barnabas & Thankful (Blackmer), and Mary Gray [aka Polly], May 21, 1818, at Pelham. [JAS] 197 - Barnabas, Jr., and Mary Graves, of Prescott, ____, 1819, 1 ch. [VR1]

Ashfield VR 642 - Barnabas, s. Barnabas & Thankful (Blackmer), September __, 1790, at Greenwich, resident of Pelham 1820, with interest in land at Greenwich. [JAS] b date was showing 1787 - 642 - Barnabas, 1st h. Mary (Gray) (Sears), s. Barnabas & Thankful (Blackmer), September 20, 1829, of yellow fever, at Savannah, GA. [JAS] 642 - Barnabas (1st h.), s. Barnabas & Thankful (Blackmer), and Mary Gray [aka Polly], m. May 21, 1818, at Pelham. [JAS][6239] 197 - Barnabas, Jr., and Mary Graves, of Prescott, ____, 1819, 1 ch. [VR1]

⁸³ Ancestry.com, Savannah, Georgia Vital Records, 1803-1966 (Provo, UT, USA, Ancestry.com Operations, Inc., 2011), Ancestry.com.
[Source citation includes one media item]

⁸⁴ Dodd, Jordan, Liahona Research, comp, Massachusetts, Marriages, 1633-1850 (Provo, UT, USA, Ancestry.com Operations Inc, 2005), Ancestry.com.

<https://www.wikitree.com/wiki/Sears-4886>

- 55.** Barnabas married **Mary Polly Gray**{ XE "Gray:Mary \"Polly\" (1797-)" \f "Name" \b \i } on Thursday, 21st May 1818, in Pelham, Hampshire, Massachusetts{ XE "USA, Massachusetts, Hampshire, Pelham:(42.3932° N, 72.4037° W):Sears, Barnabas (1790-1820)" \f "Place" }.^[84] They had one son: Charles (1819-1900).

Polly was born in perh, Pelham,{ XE "USA, Massachusetts, Hampshire, Pelham, perh: :Gray, Mary \"Polly\" (1797-)" \f "Place" } in 1797.

Amherst VR-42 - Mary (Gray), wid. Barnabas Sears (1st h.), and _____ Hemmenway (2nd h.), ____ __, _____. [JAS]

Son of Barnabas Sears and Mary Polly Gray:

- m I. **Charles Oliver⁵ Sears**{ XE "Sears:Charles Oliver (1819-1900)" \f "Name" \b } was born in Hadley{ XE "USA, Massachusetts, Hampshire, Hadley:(42.3418° N, 72.5884° W):Sears, Charles Oliver (1819-1900)" \f "Place" } on 29th January 1819.^[85, 86] He died in Amherst{ XE "USA, Massachusetts, Hampshire, Amherst:(42.3804° N, 72.5232° W):Sears, Charles Oliver (1819-1900)" \f "Place" } on 23rd April 1900, at the age of 81.^[85] Charles Oliver was buried in Amherst{ XE "USA, Massachusetts, Hampshire, Amherst:(42.3804° N, 72.5232° W):Sears, Charles Oliver (1819-1900)" \f "Place" }.^[85]

At the age of 25, Charles Oliver married **Sophia Foster Ingram**{ XE "Ingram: Sophia Foster (1821-1871)" \f "Name" \b \i } on Thursday, 12th December 1844, in Amherst{ XE "USA, Massachusetts, Hampshire, Amherst:(42.3804° N, 72.5232° W):Sears, Charles Oliver (1819-1900)" \f "Place" } when she was 23 years old.^[86, 87] They had five children: Edward (1845-1896), George (1851-1930), Allie (1855-1859), Frederic (1862-1888) and Annie (1866-1867).

Sophia Foster was born in Amherst{ XE "USA, Massachusetts, Hampshire, Amherst:(42.3804° N, 72.5232° W):Ingram, Sophia Foster (1821-1871)" \f "Place" } on Friday, 31st August 1821.^[87] She was the daughter of Emily Roberts{ XE "Roberts:Emily" \f "Name" \i }.

Sophia Foster reached 50 years of age and died in Amherst{ XE "USA, Massachusetts, Hampshire, Amherst:(42.3804° N, 72.5232° W):Ingram, Sophia Foster (1821-1871)" \f "Place" } on 16th December 1871.^[87] She was buried in Amherst{ XE "USA, Massachusetts, Hampshire, Amherst:(42.3804° N, 72.5232° W):Ingram, Sophia Foster (1821-1871)" \f "Place" }.^[87]

Amherst VR 670 - Sophia F., w. Charles O., Dec. 16, 1871, a. 51 y. [GR3]-Center (West) Cemetery Inscriptions, 1743- 1929.

Charles Oliver Sears married **Mary J Edwards**{ XE "Edwards:Mary J (1852-1932)" \f "Name" \b \i } on Thursday, 13th March 1873, in Amherst{ XE "USA, Massachusetts, Hampshire, Amherst:(42.3804° N, 72.5232° W):Sears, Charles Oliver (1819-1900)" \f "Place" }. They had one son: William (1874-1916).

Mary J was born in perh, Amherst,{ XE "USA, Massachusetts, Hampshire, Amherst, perh: :Edwards, Mary J (1852-1932)" \f "Place" } in 1852. She reached 80 years of age and died in 1932. Mary J was buried in Amherst{ XE "USA, Massachusetts, Hampshire, Amherst:(42.3804° N, 72.5232° W):Edwards, Mary J (1852-1932)" \f "Place" }.

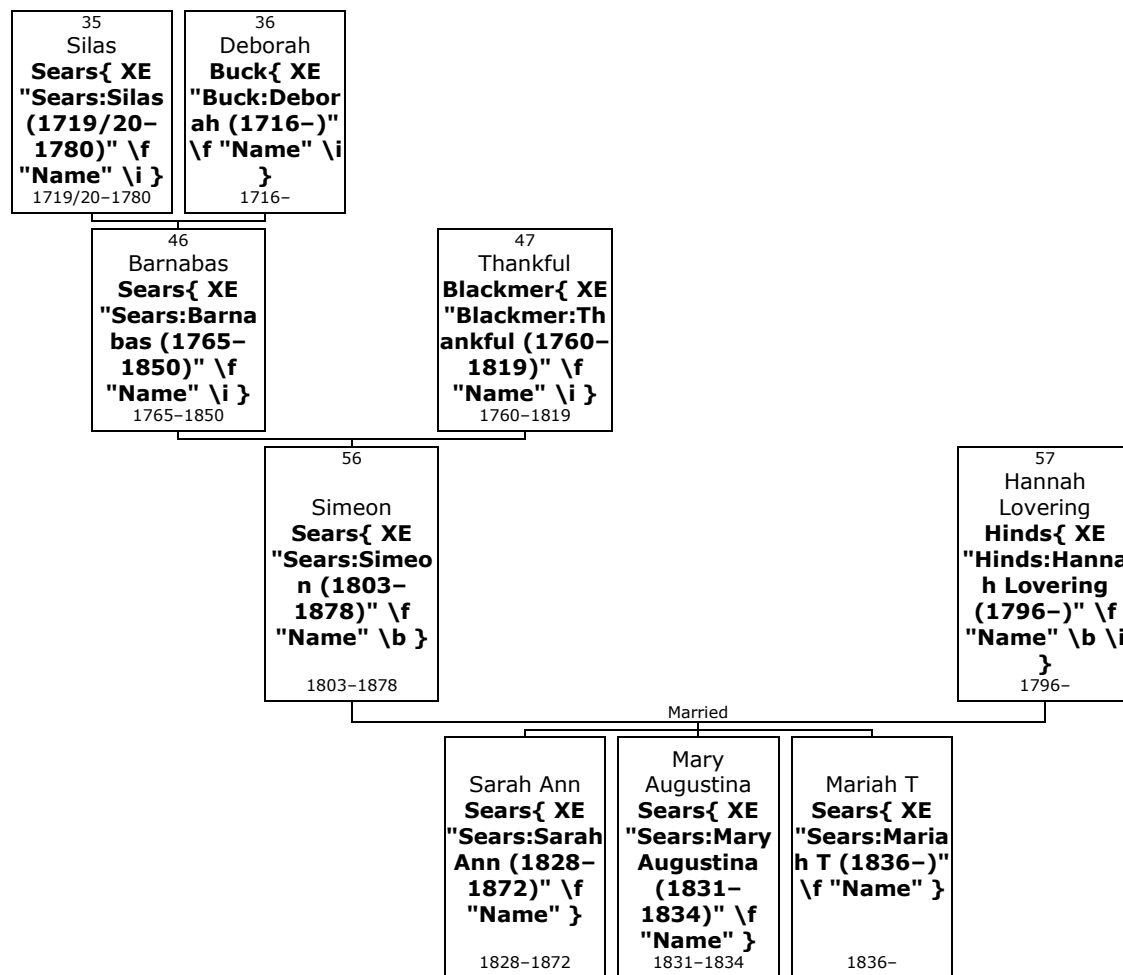
!Amherst City Directory 1910 Mary wid Charles O. h 4 Dickinson, William G h (same)
!Amherst City Dir 1923 b. 87 Main 665 - Mary J. (Edward), w. Charles O., ____ __, 1932.
[GR3]--Center (West) Cemetery Inscriptions, 1743- 1929.

⁸⁵ Ancestry.com, U.S., Find A Grave Index, 1600s-Current (Provo, UT, USA, Ancestry.com Operations, Inc., 2012), 121653329.

⁸⁶ Ancestry.com, Massachusetts, Marriage Records, 1840-1915 (Provo, UT, USA, Ancestry.com Operations, Inc., 2013), Ancestry.com, New England Historic Genealogical Society; Boston, Massachusetts; Massachusetts Vital Records, 1911-1915.

⁸⁷ Ancestry.com, U.S., Find A Grave Index, 1600s-Current (Provo, UT, USA, Ancestry.com Operations, Inc., 2012), Ancestry.com.

Family of Simeon Sears and Hannah Hinds{ TC "Simeon Sears and Hannah Hinds" \I 3 \f C}



56. **Simeon⁴ Sears**{ XE "Sears:Simeon (1803-1878)" \f "Name" \b } (*Barnabas³, Silas²*) was born on Monday, 13th June 1803, in Hardwick, Worcester, Massachusetts, USA{ XE "USA, Massachusetts, Worcester, Hardwick:(42.3501° N, 72.1995° W):Sears, Simeon (1803-1878)" \f "Place" }.^[88] He was the son of Barnabas Sears{ XE "Sears:Barnabas (1765-1850)" \f "Name" \i } (46) and Thankful Blackmer{ XE "Blackmer:Thankful (1760-1819)" \f "Name" \i } (47). He was also known as **Simon W Sears**{ XE "Sears:Simon (Simeon Sears) (1803-1878)" \f "Name" }.

Simeon died in Batavia, Genesee,{ XE "USA, New York, Genesee, Batavia:(42.9981° N, 78.1875° W):Sears, Simeon (1803-1878)" \f "Place" } on 11th October 1878, at the age of 75.^[88] He was buried in Batavia, Genesee County{ XE "USA, New York, Genesee County, Batavia:(42.9981° N, 78.1875° W):Sears, Simeon (1803-1878)" \f "Place" }.^[88]

!S P May p.189 (No 875) Rem. to Batavia, NY

<https://www.wikitree.com/wiki/Sears-4891>

<https://www.findagrave.com/memorial/52933638/simon-w.-sears>
lists Simon W Sears with wife Hannah and dau Sarah Ann

!
!Name: Simeon Sears Age: 48 Estimated birth year: abt 1802 Birth place: Massachusetts Gender: Male Home in 1850 (City,County,State): Mount Morris, Livingston, New York farmer w/ Hannah L(50), Sarah H(21), Mariah T(14) Image Source: Year: 1850; Census Place: Mount Morris, Livingston, New York; Roll: M432_524; Page: 89;
!

⁸⁸ "Ancestry Family Tree", Record for Maria T Sears-
<https://www.ancestry.com/family-tree/person/tree/764436/person/240043036168/facts> tree of Meadow56.
<http://search.ancestry.com/cgi-bin/sse.dll?db=7836&h=595724&indiv=try>.

!Amherst VR-642 - Simon, s. Barnabas & Thankful (Blackmer), June 13, 1803, at Greenwich, not mentioned in his father's will 1842, resident of Amh. 1845, moved to Batavia, NY.

!

! [JAS]-J. A. Smith's "Families of Amherst, Hampshire County". http://dunhamwilcox.net/ma/0-index_amherst.htm m. 642 - Simon, s. Barnabas & Thankful (Blackmer), and Hannah Hinds, ____, ____, _____. [JAS]

debunderhill in warwickshire

<https://www.ancestry.com/family-tree/person/tree/764436/person/240043036168/facts>

Hi Deb- Ray Sears here in Oklahoma City- LRSears@gmail.com i noticed you have Simeon W Sears (1801-1878) in your Underhill tree. That was a great source from FindAGrave! Not sure i would have found that? Simeon/Simon is my fourth cousin. Are you also a relative? I had to look up Warwickshire, sorry not very familiar with English geography. I did make it to Stratford on Avon many years ago. You have Simeon's birthplace as Hardwick, that is in Worcester county where my Mom was born. I would be glad to share info about his ancestors. I have been studying the Sears family for 40 years and keep thinking i will make a connection with some family from East Anglia where we think our progenitor originated in the late 1500s. Cheers, Ray

Meadow56

Hi Meadow- Ray Sears here in Oklahoma City LRSears@gmail.com I was interested to see you have Simeon/Simon W Sears in your tree. Are you a relative? Here he is in my tree- <https://www.ancestry.com/family-tree/person/tree/170779846/person/322220451203/facts> it was nice to learn about your FindaGrave link and the third daughter - he is my fourth cousin. I have other info about his ancestors if you are interested. Regards

More facts and events for Simeon Sears:

Residence: 1850 Mount Morris, Livingston{ XE "USA, New York, Livingston, Mount Morris:(42.7256° N, 77.8742° W):Sears, Simeon (1803-1878)" \f "Place" }^[88]

Residence: 1860 Ward 5, Rochester, Monroe{ XE "USA, New York, Monroe, Rochester, Ward 5: :Sears, Simeon (1803-1878)" \f "Place" }^[88]

57. He married **Hannah Lovering Hinds**{ XE "Hinds:Hannah Lovering (1796-)" \f "Name" \b \i }. They had three daughters: Sarah (1828-1872), Mary (1831-1834) and Mariah (1836-).

Hannah Lovering was born in Pelham, Hampshire, Massachusetts,{ XE "USA, Massachusetts, Hampshire, Pelham:(42.3932° N, 72.4037° W):Hinds, Hannah Lovering (1796-)" \f "Place" } on Thursday, 3rd November 1796.

<https://www.findagrave.com/memorial/52933603/hannah-l.-sears>

Daughters of Simeon Sears and Hannah Lovering Hinds:

- f I. **Sarah Ann⁵ Sears**{ XE "Sears:Sarah Ann (1828-1872)" \f "Name" \b } was born in Prescott{ XE "USA, Massachusetts, Hampshire, Prescott:(42.4652° N, 72.3667° W):Sears, Sarah Ann (1828-1872)" \f "Place" } on 22nd August 1828. She died in Batavia, Genesee County, New York,{ XE "USA, New York, Genesee County, Batavia:(42.9981° N, 78.1875° W):Sears, Sarah Ann (1828-1872)" \f "Place" } on 2nd August 1872, at the age of 43. Sarah Ann was buried in Batavia{ XE "USA, New York, Genesee County, Batavia:(42.9981° N, 78.1875° W):Sears, Sarah Ann (1828-1872)" \f "Place" }.
- f II. **Mary Augustina Sears**{ XE "Sears:Mary Augustina (1831-1834)" \f "Name" \b } was born in Prescott{ XE "USA, Massachusetts, Hampshire, Prescott:(42.4652° N, 72.3667° W):Sears, Mary Augustina (1831-1834)" \f "Place" } on 5th September 1831. She died on 29th September 1834, at the age of 3. Mary Augustina was buried in Ware, Hampshire County{ XE "USA, Massachusetts, Hampshire County, Ware:(42.2598° N, 72.2398° W):Sears, Mary Augustina (1831-1834)" \f "Place" }.
- f III. **Mariah T Sears**{ XE "Sears:Mariah T (1836-)" \f "Name" \b } was born in Massachusetts{ XE "USA, Massachusetts:(42.1562° N, 71.5662° W):Sears, Mariah T (1836-)" \f "Place" } in 1836.

More facts and events for Mariah T Sears:

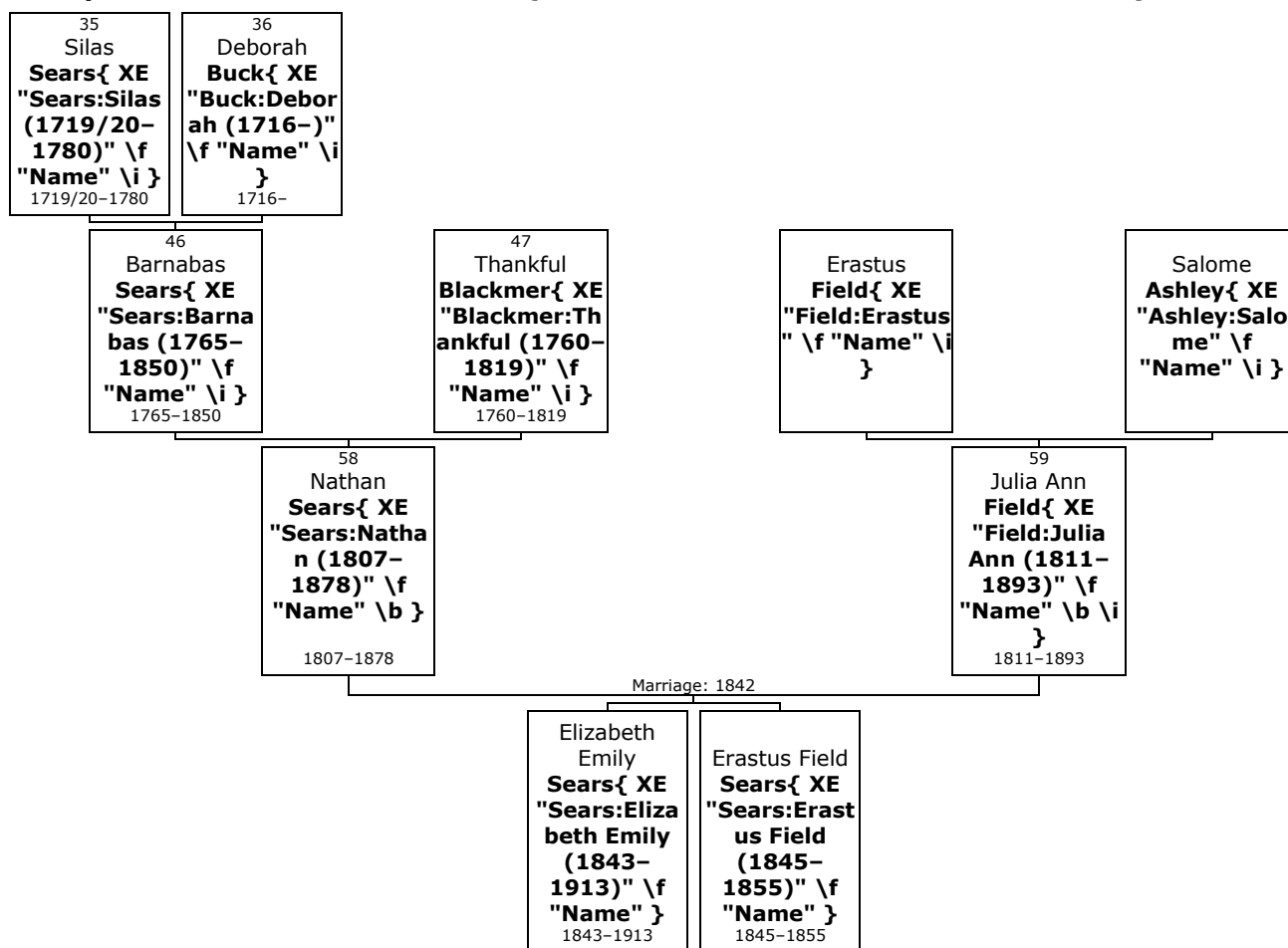
Residence: 1850 Mount Morris, Livingston{ XE "USA, New York, Livingston, Mount Morris:(42.7256° N, 77.8742° W):Sears, Mariah T (1836-)" \f "Place" }

Residence: 1860 Batavia, Genesee{ XE "USA, New York, Genesee, Batavia:(42.9981° N, 78.1875° W):Sears, Mariah T (1836-)" \f "Place" }

At the age of 17, Mariah T married **George M Ellicott**{ XE "Ellicott:George M (1833-)" \f "Name" \b \i } on Thursday, 28th July 1853, in Batavia{ XE "USA, New York, Genesee, Batavia:(42.9981° N, 78.1875° W):Sears, Mariah T (1836-)" \f "Place" } when he was 19 years old. They had six children: Maria (1854-), Loverina (1855-), George (1857-), Anna (1860-), Alfred (1863-) and Edward (1866-1926).

George M was born in Batavia{ XE "USA, New York, Genesee, Batavia:(42.9981° N, 78.1875° W):Ellicott, George M (1833-)" \f "Place" } on Wednesday, 9th October 1833.

Family of Nathan Sears and Julia Field{ TC "Nathan Sears and Julia Field" \I 3 \f C}



58. Nathan⁴ Sears{ XE "Sears:Nathan (1807-1878)" \f "Name" \b } (*Barnabas³, Silas²*) was born on Sunday, 31st May 1807, in Hardwick, Worcester, Massachusetts, USA{ XE "USA, Massachusetts, Worcester, Hardwick:(42.3501° N, 72.1995° W):Sears, Nathan (1807-1878)" \f "Place" }.^[89, 90] He was

⁸⁹ Ancestry.com, Massachusetts, Town and Vital Records, 1620-1988 (Provo, UT, USA, Ancestry.com Operations, Inc., 2011), Ancestry.com.
[Source citation includes one media item]

⁹⁰ Ancestry.com, U.S., Find A Grave Index, 1600s-Current (Provo, UT, USA, Ancestry.com Operations, Inc., 2012), Ancestry.com.

the son of Barnabas Sears{ XE "Sears:Barnabas (1765–1850)" \f "Name" \i } (46) and Thankful Blackmer{ XE "Blackmer:Thankful (1760–1819)" \f "Name" \i } (47).

Nathan died in Amherst, Hampshire,{ XE "USA, Massachusetts, Hampshire, Amherst:(42.3804° N, 72.5232° W):Sears, Nathan (1807–1878)" \f "Place" } on 20th January 1878, at the age of 70.^[89, 90] He was buried in Amherst{ XE "USA, Massachusetts, Hampshire, Amherst:(42.3804° N, 72.5232° W):Sears, Nathan (1807–1878)" \f "Place" }.^[90]

Amherst VR-642 - Nathan, s. Barnabas & Thankful (Blackmer), May 31, 1807, at Greenwich, bpt. as an adult July 1842, at North Ch., resident of Amh. 1840, farmer at Amh. 1845, left Amh. ca 1846, but returned before 1850, farmer at Amh. 1850.

[JAS]-J. A. Smith's "Families of Amherst, Hampshire County".

http://dunhamwilcox.net/ma/0-index_amherst.htm 643 - Nathan, May 31, 1807. [GR2]-North Cemetery Inscriptions, 1823- 1935. 197 - Nathan, and Julia A. Field, Feb. 2, 1843, at Leverett, 2 ch., 1843-45.

[VR1] 642 - Nathan, s. Barnabas & Thankful (Blackmer), and Julia Ann Field, d. Erastus & Salome (Ashley), sister.Emily Field, February 2, 1842, at Leverett. [JAS] 643 - Nathan, "Father", h. Julia A., d.Jan. 20, 1878. [GR2]-North Cemetery Inscriptions, 1823- 1935.

<https://www.wikitree.com/wiki/Sears-4892>

May, Samuel. [[Space:The Descendants of Richard Sares (Sears) of Yarmouth, Mass., 1638-1888|The Descendants of Richard Sares (Sears) of Yarmouth, Mass., 1638-1888]]

[<https://archive.org/stream/descendantsofric00mays#page/313/mode/1up> Page 313] (Joel Munsell's Sons, 1890)

- 59.** At the age of 34, Nathan married **Julia Ann Field**{ XE "Field:Julia Ann (1811–1893)" \f "Name" \b \i } on Wednesday, 2nd February 1842, in Leverett, Franklin,{ XE "USA, Massachusetts, Franklin, Leverett:(42.452° N, 72.5015° W):Sears, Nathan (1807–1878)" \f "Place" } when she was 30 years old.^[90] They had two children: Elizabeth (1843–1913) and Erastus (1845–1855).

Julia Ann was born in Leverett{ XE "USA, Massachusetts, Franklin, Leverett:(42.452° N, 72.5015° W):Field, Julia Ann (1811–1893)" \f "Place" } on Sunday, 29th September 1811.^[90] She was the daughter of Erastus Field{ XE "Field:Erastus" \f "Name" \i } and Salome Ashley{ XE "Ashley:Salome" \f "Name" \i }.

Julia Ann reached 82 years of age and died on 10th October 1893.^[90] She was buried in Amherst, Hampshire{ XE "USA, Massachusetts, Hampshire, Amherst:(42.3804° N, 72.5232° W):Field, Julia Ann (1811–1893)" \f "Place" }.^[90]

Amherst VR 643 - Julia A. "Mother", w. Nathan, Oct. 10, 1893. [GR2]-North Cemetery Inscriptions, 1823-1935.

Children of Nathan Sears and Julia Ann Field:

- f I. **Elizabeth Emily⁵ Sears**{ XE "Sears:Elizabeth Emily (1843–1913)" \f "Name" \b } was born in Amherst, Hampshire,{ XE "USA, Massachusetts, Hampshire, Amherst:(42.3804° N, 72.5232° W):Sears, Elizabeth Emily (1843–1913)" \f "Place" } on 15th February 1843. She was christened in September 1843. Elizabeth Emily died in 1913 at the age of 69.
- m II. **Erastus Field Sears**{ XE "Sears:Erastus Field (1845–1855)" \f "Name" \b } was born in perh, Leverett, Franklin,{ XE "USA, Massachusetts, Franklin, Leverett, perh: :Sears, Erastus Field (1845–1855)" \f "Place" } on 18th May 1845.^[90] He was christened in September 1845. Erastus Field died in Amherst, Hampshire,{ XE "USA, Massachusetts, Hampshire, Amherst:(42.3804° N, 72.5232° W):Sears, Erastus Field (1845–1855)" \f "Place" } on 10th August 1855, at the age of 10.^[90] He was buried in Amherst{ XE "USA, Massachusetts, Hampshire, Amherst:(42.3804° N, 72.5232° W):Sears, Erastus Field (1845–1855)" \f "Place" }.^[90]

Sardis Sears{ TC "Sardis Sears" \I 3 \f C}

- 60.** **Sardis⁴ Sears**{ XE "Sears:Sardis (1809–1861)" \f "Name" \b } (*Barnabas³, Silas²*) was born on Tuesday, 5th September 1809, in Greenwich, Hampshire, Massachusetts, USA{ XE "USA, Massachusetts, Hampshire, Greenwich:(42.3351° N, 72.2699° W):Sears, Sardis (1809–1861)" \f "Place" }.^[91, 92] He was the son of

⁹¹ Ancestry.com, Massachusetts, Town and Vital Records, 1620-1988 (Provo, UT, USA, Ancestry.com Operations, Inc., 2011), Ancestry.com.

[Source citation includes one media item]

Barnabas Sears{ XE "Sears:Barnabas (1765-1850)" \f "Name" \i } (46) and Thankful Blackmer{ XE "Blackmer:Thankful (1760-1819)" \f "Name" \i } (47).

Sardis died in Amherst{ XE "USA, Massachusetts, Hampshire, Amherst:(42.3804° N, 72.5232° W):Sears, Sardis (1809-1861)" \f "Place" } on 18th March 1861, at the age of 51.^[91]

1860 Census Name: Sardis Sears Age in 1860: 50 Birthplace: Massachusetts Home in 1860: Amherst, Hampshire, Massachusetts Gender: Male Head of Household: Sardis Sears Post Office: Amherst enum w/wife and 6 kids and Rosa Sears ae 62, Thankful Sears ae 60

<https://www.wikitree.com/wiki/Sears-4893>

S P May No 876 p. 313

Amherst VR-642, 648 - Sardis, s. Barnabas & Thankful (Blackmer), September 5, 1809, at Greenwich, farmer at Amh. 1835, lived elsewhere until 1845, by which he was a farmer at Amh., was living at Amh. 1850 as a laborer. [JAS]-J. A. Smith's "Families of Amherst, Hampshire County". http://dunhamwilcox.net/ma/0-index_amherst.htm 198 - Sardis, and Electa Sloan (1st w.), Nov. 1, 1829, 1 ch., 1830. [VR1] 198 - Sardis, and Mariette Jencks (2nd w.), May 14, 1840, 4 ch., 1841-1852. [VR1] 643 - Sardis, s. Barnabas & Thankful (Blackmer), and Electra Sloan (1st w.), d. Wilson & Lucy, February 25, 1829, at Prescott. [JAS] 643 - Sardis, s. Barnabas & Thankful (Blackmer), and Mariette Jenks (2nd w.), d. Zechariah & Judith (Vaughan), May 14, 1840. [JAS] 719 - Sardis, h. Mariette, d. Mar. 12, 1869, ? 52 y. [GR2]-North Cemetery Inscriptions, 1823- 1935.

More facts and events for Sardis Sears:

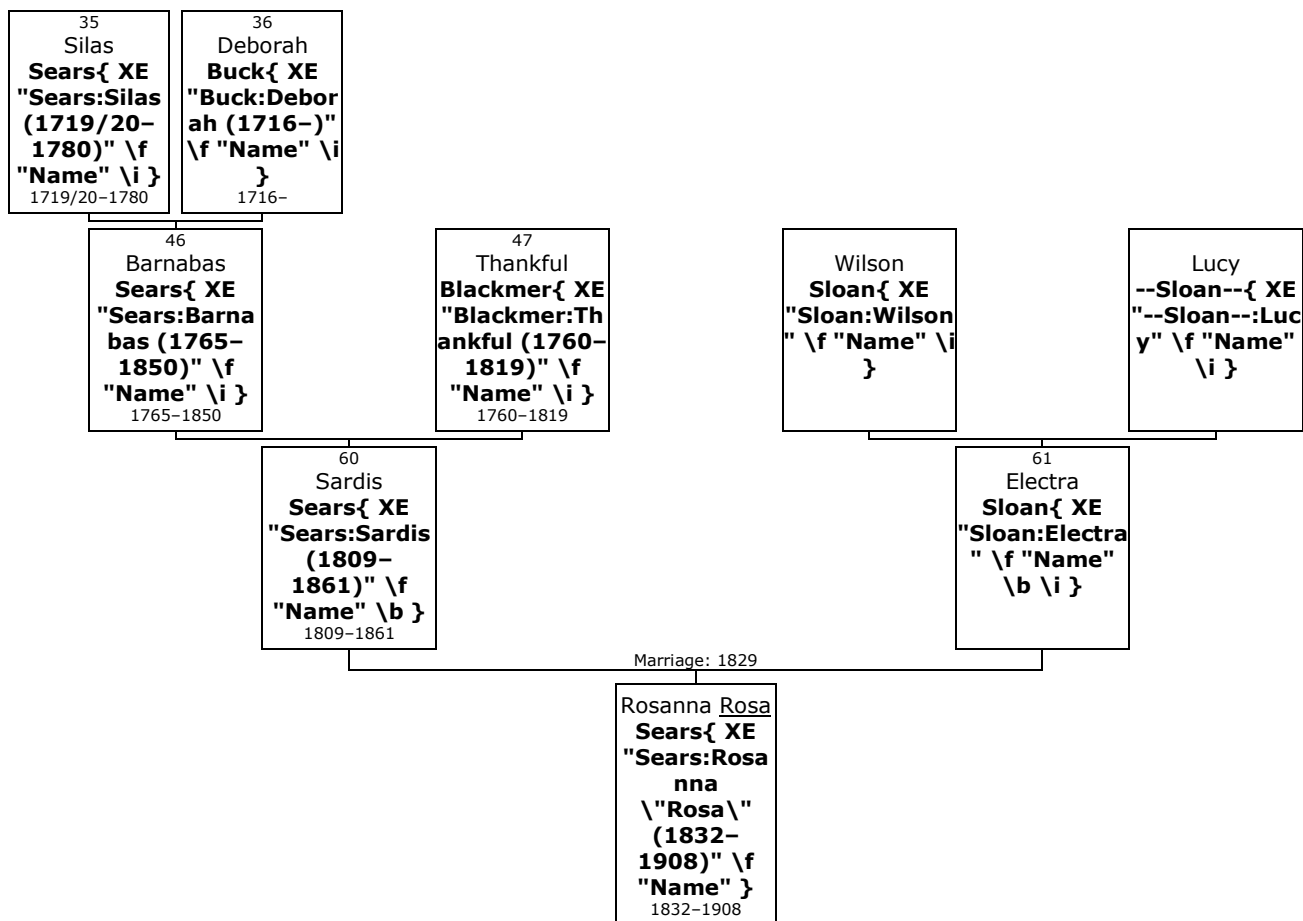
Residence: 1860 Amherst{ XE "USA, Massachusetts, Hampshire, Amherst:(42.3804° N, 72.5232° W):Sears, Sardis (1809-1861)" \f "Place" }

Residence: 1865 Amherst{ XE "USA, Massachusetts, Hampshire, Amherst:(42.3804° N, 72.5232° W):Sears, Sardis (1809-1861)" \f "Place" }

Marriages with Electra Sloan and Marietta Jenks (Page 79) are known.

⁹² "Ancestry Family Tree", Record for Henry Barnabas Sears.
<http://search.ancestry.com/cgi-bin/sse.dll?db=1030&h=20397099004&indiv=try>.

Family of Sardis Sears and Electra Sloan{ TC "Sardis Sears and Electra Sloan" \I 4 \f C}



Here are the details about **Sardis Sears**{ XE "Sears:Sardis (1809-1861)" \f "Name" \b } first marriage, with Electra Sloan. You can read more about Sardis on page 76.

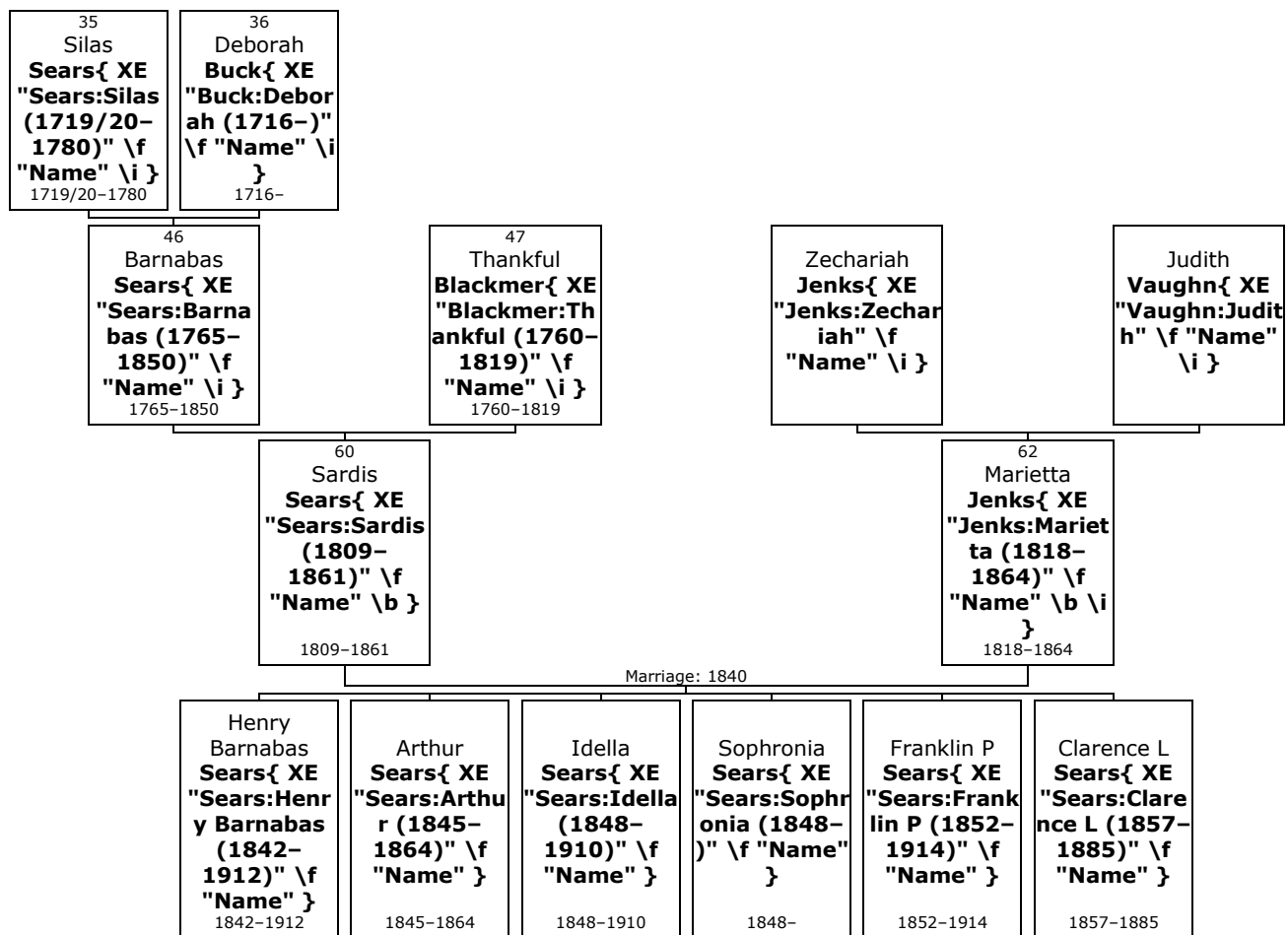
- 61.** Sardis Sears married **Electra Sloan**{ XE "Sloan:Electra" \f "Name" \b \i } on Sunday, 1st November 1829.^[91] They had one daughter: Rosa (1832-1908). She was the daughter of Wilson Sloan{ XE "Sloan:Wilson" \f "Name" \i } and Lucy --Sloan--{ XE "--Sloan--:Lucy" \f "Name" \i }.

Daughter of Sardis Sears and Electra Sloan:

- f I. **Rosanna Rosa**⁵ **Sears**{ XE "Sears:Rosanna \"Rosa\" (1832-1908)" \f "Name" \b } was born in perh, Hardwick, Worcester, { XE "USA, Massachusetts, Worcester, Hardwick, perh: :Sears, Rosanna \"Rosa\" (1832-1908)" \f "Place" } in 1832. She died in 1908 at the age of 76.

Rosa married **Hubbard Lawrence**{ XE "Lawrence:Hubbard" \f "Name" \b \i }.

Family of Sardis Sears and Marietta Jenks{ TC "Sardis Sears and Marietta Jenks" \I 4 \f C}



Here are the details about **Sardis Sears{ XE "Sears:Sardis (1809-1861)" \f "Name" \b }** second marriage, with Marietta Jenks. You can read more about Sardis on page 76.

- 62.** Sardis Sears married **Marietta Jenks{ XE "Jenks:Marietta (1818-1864)" \f "Name" \b \i }** on Thursday, 14th May 1840.^[92] They had six children: Henry (1842-1912), Arthur (1845-1864), Idella (1848-1910), Sophronia (1848-), Franklin (1852-1914) and Clarence (1857-1885).

Marietta was born in New York{ XE "USA, New York:(42.7531° N, 74.2224° W):Jenks, Marietta (1818-1864)" \f "Place" } in 1818.^[92] She was the daughter of Zechariah Jenks{ XE "Jenks:Zechariah" \f "Name" \i } and Judith Vaughn{ XE "Vaughn:Judith" \f "Name" \i }.

Marietta reached 46 years of age and died in Amherst{ XE "USA, Massachusetts, Hampshire, Amherst:(42.3804° N, 72.5232° W):Jenks, Marietta (1818-1864)" \f "Place" } on 28th December 1864.^[92] She was buried in Amherst{ XE "USA, Massachusetts, Hampshire, Amherst:(42.3804° N, 72.5232° W):Jenks, Marietta (1818-1864)" \f "Place" }.^[92]

listed in 1860 census- Marritta Amherst VR says Mariette Jenks, 2d wife of Sardis 719 - Mariette, w. Sardis,d. Dec. 27, 1864, ? 47 y. [GR2]--North Cemetery Inscriptions, 1823- 1935.

More facts and events for Marietta Jenks:

Residence: 1860 Amherst{ XE "USA, Massachusetts, Hampshire, Amherst:(42.3804° N, 72.5232° W):Jenks, Marietta (1818-1864)" \f "Place" }.^[92]

Residence: 1860 Amherst{ XE "USA, Massachusetts, Hampshire, Amherst:(42.3804° N, 72.5232° W):Jenks, Marietta (1818-1864)" \f "Place" }

Children of Sardis Sears and Marietta Jenks:

- m I. **Henry Barnabas⁵ Sears{ XE "Sears:Henry Barnabas (1842-1912)" \f "Name" \b }** was born in Prescott, Hampshire County,{ XE "USA, Massachusetts, Hampshire County,

Prescott:(42.4652° N, 72.3667° W):Sears, Henry Barnabas (1842–1912)" \f "Place" } on 12th September 1842.^[92, 93] He died in 1912 at the age of 69.^[92] Henry Barnabas was buried in Newbury, Essex County{ XE "USA, Massachusetts, Essex County, Newbury:(42.7802° N, 70.8638° W):Sears, Henry Barnabas (1842–1912)" \f "Place" }.^[92]

More facts and events for Henry Barnabas Sears:

Residence: 1880 Shutesbury, Franklin{ XE "USA, Massachusetts, Franklin, Shutesbury:(42.4565° N, 72.4098° W):Sears, Henry Barnabas (1842–1912)" \f "Place" }^[92]

Residence: 1910 Orange{ XE "USA, Massachusetts, Franklin, Orange:(42.5904° N, 72.3098° W):Sears, Henry Barnabas (1842–1912)" \f "Place" }^[92]

Henry Barnabas married **Olive M Estey**{ XE "Estey:Olive M (1843–1928)" \f "Name" \b \i }.^[92, 93] They had two children: Gertrude (1864–1951) and Arthur (1883–1956).

Olive M was born in Massachusetts{ XE "USA, Massachusetts:(42.1562° N, 71.5662° W):Estey, Olive M (1843–1928)" \f "Place" } in March 1843.^[92] She reached 85 years of age and died in New Ipswich, Hillsborough, New Hampshire,{ XE "USA, New Hampshire, Hillsborough, New Ipswich:(42.7481° N, 71.8542° W):Estey, Olive M (1843–1928)" \f "Place" } on 29th September 1928.^[92] Olive M was buried in Newbury, Essex County, Massachusetts{ XE "USA, Massachusetts, Essex County, Newbury:(42.7802° N, 70.8638° W):Estey, Olive M (1843–1928)" \f "Place" }.^[92]

- m II. **Arthur Sears**{ XE "Sears:Arthur (1845–1864)" \f "Name" \b } was born in North Amherst, Hampshire,{ XE "USA, Massachusetts, Hampshire, North Amherst:(42.4104° N, 72.5309° W):Sears, Arthur (1845–1864)" \f "Place" } on 21st September 1845. He died in Amherst{ XE "USA, Massachusetts, Hampshire, Amherst:(42.3804° N, 72.5232° W):Sears, Arthur (1845–1864)" \f "Place" } on 22nd June 1864, at the age of 18.
- f III. **Idella Sears**{ XE "Sears:Idella (1848–1910)" \f "Name" \b } was born in perh, Hardwick, Worcester,{ XE "USA, Massachusetts, Worcester, Hardwick, perh: :Sears, Idella (1848–1910)" \f "Place" } in 1848. She died in 1910 at the age of 62.
- f Idella married **Charles Shaw**{ XE "Shaw:Charles" \f "Name" \b \i }.
- f IV. **Sophronia Sears**{ XE "Sears:Sophronia (1848–)" \f "Name" \b } was born in Amherst, Hampshire,{ XE "USA, Massachusetts, Hampshire, Amherst:(42.3804° N, 72.5232° W):Sears, Sophronia (1848–)" \f "Place" } on 6th January 1848.
- m V. **Franklin P Sears**{ XE "Sears:Franklin P (1852–1914)" \f "Name" \b } was born in Amherst{ XE "USA, Massachusetts, Hampshire, Amherst:(42.3804° N, 72.5232° W):Sears, Franklin P (1852–1914)" \f "Place" } in 1852.^[94] He died in 1914 at the age of 62.^[94]

More facts and events for Franklin P Sears:

Residence: 1855 Amherst, Hampshire{ XE "USA, Massachusetts, Hampshire, Amherst:(42.3804° N, 72.5232° W):Sears, Franklin P (1852–1914)" \f "Place" }^[94]

Residence: 1860 Amherst{ XE "USA, Massachusetts, Hampshire, Amherst:(42.3804° N, 72.5232° W):Sears, Franklin P (1852–1914)" \f "Place" }^[94]

Residence: 1865 Amherst{ XE "USA, Massachusetts, Hampshire, Amherst:(42.3804° N, 72.5232° W):Sears, Franklin P (1852–1914)" \f "Place" }^[94]

⁹³ Ancestry.com, Massachusetts, Marriage Records, 1840-1915 (Provo, UT, USA, Ancestry.com Operations, Inc., 2013), Ancestry.com, New England Historic Genealogical Society; Boston, Massachusetts; Massachusetts Vital Records, 1911–1915. Record for Arthur Clarence Sears. <http://search.ancestry.com/cgi-bin/sse.dll?db=1030&h=20397099004&indiv=try>.

⁹⁴ "Ancestry Family Tree", Record for Franklin P Sears-<https://www.ancestry.com/family-tree/person/tree/310720/person/24203164921/facts>. <http://search.ancestry.com/cgi-bin/sse.dll?db=2495&h=41621824&indiv=try>.

Residence: 1880 Palmer, Hampden{ XE "USA, Massachusetts, Hampden, Palmer:(42.1584° N, 72.3287° W):Sears, Franklin P (1852-1914)" \f "Place" }^[94]

Residence: 1920 Orange, Franklin{ XE "USA, Massachusetts, Franklin, Orange:(42.5904° N, 72.3098° W):Sears, Franklin P (1852-1914)" \f "Place" }^[94]

Franklin P married **Martha A Wood**{ XE "Wood:Martha A (1856-)" \f "Name" \b \i } on Thursday, 17th September 1874, in Amherst, Hampshire{ XE "USA, Massachusetts, Hampshire, Amherst:(42.3804° N, 72.5232° W):Sears, Franklin P (1852-1914)" \f "Place" }^[94] They had no known children.

Martha A was born in 1856. Whately.

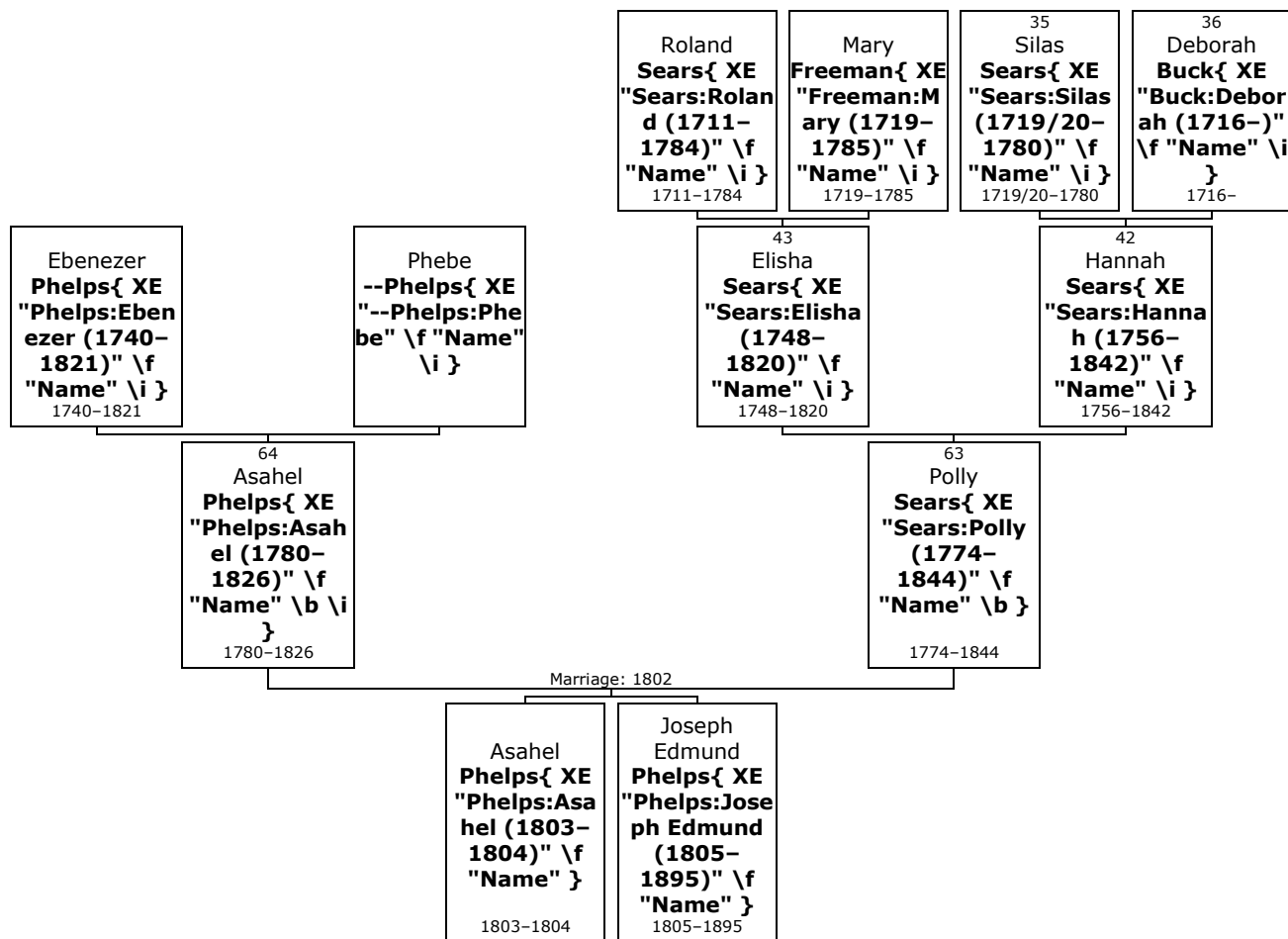
m VI. **Clarence L Sears**{ XE "Sears:Clarence L (1857-1885)" \f "Name" \b } was born in Amherst{ XE "USA, Massachusetts, Hampshire, Amherst:(42.3804° N, 72.5232° W):Sears, Clarence L (1857-1885)" \f "Place" } in 1857.^[95] He died in Monson, Hampden,{ XE "USA, Massachusetts, Hampden, Monson:(42.1043° N, 72.319° W):Sears, Clarence L (1857-1885)" \f "Place" } on 24th August 1885, at the age of 28.^[95]

Clarence L Sears married **Anna Jane Jennie Amadon**{ XE "Amadon:Anna Jane \"Jennie\" (1857-1926)" \f "Name" \b \i } on Wednesday, 4th August 1875, in Amherst, Hampshire{ XE "USA, Massachusetts, Hampshire, Amherst:(42.3804° N, 72.5232° W):Sears, Clarence L (1857-1885)" \f "Place" }^[95] They had four children: Willie (1877-), George (1878-1897), Frank (1881-) and Emma (1885-).

Jennie was born in Massachusetts{ XE "USA, Massachusetts:(42.1562° N, 71.5662° W):Amadon, Anna Jane \"Jennie\" (1857-1926)" \f "Place" } in November 1857. She reached 69 years of age and died in November 1926.

⁹⁵ "Ancestry Family Tree", Record for Clarence L Sears-<https://www.ancestry.com/family-tree/person/tree/310720/person/24203164922/facts>.
<http://search.ancestry.com/cgi-bin/sse.dll?db=2495&h=41621824&indiv=try>.

Family of Polly Sears and Asahel Phelps{ TC "Polly Sears and Asahel Phelps" \I 3 \f C}



- 63. Polly⁴ Sears{ XE "Sears:Polly (1774-1844)" \f "Name" \b \i } (Hannah³, Silas²)** was born in 1774 in Barre, Worcester, Massachusetts, USA{ XE "USA, Massachusetts, Worcester, Barre:(42.4229° N, 72.1051° W):Sears, Polly (1774-1844)" \f "Place" \i }.^[96, 97-98] She was the daughter of Elisha Sears{ XE "Sears:Elisha (1748-1820)" \f "Name" \i } (43) and Hannah Sears{ XE "Sears:Hannah (1756-1842)" \f "Name" \i } (42).

Polly died in Barre{ XE "USA, Massachusetts, Worcester, Barre:(42.4229° N, 72.1051° W):Sears, Polly (1774-1844)" \f "Place" \i } on 29th January 1844, at the age of 70.^[96, 97] She was buried in Northampton, Hampshire{ XE "USA, Massachusetts, Hampshire, Northampton:(42.3251° N, 72.6412° W):Sears, Polly (1774-1844)" \f "Place" \i }.^[96]

!S P May (No 849) died unm.;

!

!Mass Death Records Vol 9 p 118, ae 70 b. Hardwick, d. Barre of dysentaria

!!Mass Death Records SEARS, Polly County: Worcester Town: Barre Volume: 9 Page: 118 Death Date: 29 Jan 1844 Title: Age: 70y -m -d Condition: Female Cause: Dysentaria Place of Death: Barre Place of Birth: Hardwick Father/Husband: Elisha SEARS Mother: Hannah SEARS Do you suppose she m. Asahel Phelps?**From:** ArnoldSprague [mailto:asprague@gsb.uchicago.edu]

Sent: Saturday, September 13, 2014 1:15 PM

⁹⁶ Ancestry.com, U.S., Find A Grave Index, 1600s-Current (Provo, UT, USA, Ancestry.com Operations, Inc., 2012), Ancestry.com.

⁹⁷ Ancestry.com, Massachusetts, Town and Vital Records, 1620-1988 (Provo, UT, USA, Ancestry.com Operations, Inc., 2011), Ancestry.com.
[Source citation includes one media item]

⁹⁸ Dodd, Jordan, Liahona Research, comp, Massachusetts, Marriages, 1633-1850 (Provo, UT, USA, Ancestry.com Operations Inc, 2005), Ancestry.com.

To: Ray Sears

Subject: RE: Polly Sears / follow up

Ray,

Back again. Sorry to be an impatient pest.

Take care,

Arnold

5:33 p.m., 9/11/2014

Ray,

I just now found her at FindAGrave.com

<http://www.findagrave.com/cgi-bin/fg.cgi?page=gr&GRid=126473225 >.

Below is her info:

!

!Find A Grave Memorial# 126473225

Mary *Sears* Phelps (headstone photo)

Birth: 1776, Massachusetts, USA

Death: Jan. 28, 1843, Northampton, Hampshire County, Massachusetts, USA

Daughter of Elisha and Hannah Sears

Family links:

Spouse: Asahel Phelps (1775 - 1826)

Children: Asahel Phelps (1803 - 1804)*

*Calculated relationship

Inscription:

Mary,

Widow of Asahel Phelps

Died Jan. 28 1843

Aged 67

Burial: Bridge Street Cemetery, Northampton, Hampshire County, Massachusetts, USA, Plot: 392 (1931

Corbin map), GPS (lat/lon): 42.32442, -72.62688

Created by: Scott Stylos

Record added: **Mar 16, 2014**

<http://www.findagrave.com/cgi-bin/fg.cgi?page=gr&GRid=126473225>

+++++

Note that this "memorial" is only a few months old!!!! Persistence pays off. Every few months I check on various folks.

Now, can you give me info on her parents.: -D See above.

Hope all is well.

Arnold

At 09:45 PM 1/21/2007, you wrote:

Hi Arnold,

Nothing that matches directly,

I have these that might connect.

Polly Sears b. 1783 Yarmouth, MA d. Jan 1820

Polly Sears b. 1774 Barre, MA d. 29 Jan 1844

Mary Sears b. 3 Oct 1776 Ashfield

Mary Sears b. 10 Jun 1775 Hardwick, MA

None have fathers names that match your child Joseph Edmund Phelps, I've added Asahel and Mary to my database with your name attached in case I find a connection.

Regards,

Ray

-----Original Message-----

From: Arnold Sprague [mailto:asprague@chicagogsb.edu]

Sent: Sunday, January 21, 2007 1:26 PM

To: Ray Sears

Subject: Polly Sears

Ray,

It's been awhile since I wrote to you. I was looking at my dead-ends and came upon Polly Sears <http://www.sprague-database.org/genealogy/getperson.php?personID=I248999&tree=SpragueProject> married (14 Nov 1802) to Asahel Phelps. I looked at your website but could not find anything about either.

Any chance that she has materialized over the years???

Many thanks,

Arnold

- 64.** Polly married **Asahel Phelps**{ XE "Phelps:Asahel (1780-1826)" \f "Name" \b \i } on Sunday, 14th November 1802, in Pelham{ XE "USA, Massachusetts, Hampshire, Pelham:(42.3932° N, 72.4037° W):Sears, Polly (1774-1844)" \f "Place" }.^[96, 99-100] They had two sons: Asahel (1803-1804) and Joseph (1805-1895).

Asahel was born in Northampton{ XE "USA, Massachusetts, Hampshire, Northampton:(42.3251° N, 72.6412° W):Phelps, Asahel (1780-1826)" \f "Place" } in 1780.^[96, 97, 99, 100] He was the son of Ebenezer Phelps{ XE "Phelps:Ebenezer (1740-1821)" \f "Name" \i } and Phebe --Phelps{ XE "--Phelps:Phebe" \f "Name" \i }.

Asahel reached 46 years of age and died in Northampton{ XE "USA, Massachusetts, Hampshire, Northampton:(42.3251° N, 72.6412° W):Phelps, Asahel (1780-1826)" \f "Place" } on 16th April 1826.^[96, 99, 100] He was buried in Northampton{ XE "USA, Massachusetts, Hampshire, Northampton:(42.3251° N, 72.6412° W):Phelps, Asahel (1780-1826)" \f "Place" }.^[96]

From: Arnold Sprague [mailto:asprague@chicagogsb.edu] Sent: Sunday, January 21, 2007 1:26 PM To: Ray Sears Subject: Polly Sears Ray, It's been a while since I wrote to you. I was looking at my dead-ends and came upon Polly Sears

<http://www.sprague-database.org/genealogy/getperson.php?personID=I248999&tree=SpragueProject> married (14 Nov 1802) to Asahel Phelps. I looked at your website but could not find anything about either. Any chance that she has materialized over the years???

Many thanks, Arnold -----Original Message-----From: Arnold Sprague [mailto:asprague@chicagogsb.edu] Sent: Monday, January 22, 2007 8:47 AM To: Ray Sears Subject: RE: Polly Sears Ray, Thank you. Just found the following about my Polly Sears: 1/22/207 from ancestry.com Massachusetts Marriages, 1633-1850 Name: Asahel Phelps Gender: Male Spouse: Polly Sears Marriage Date: 31 Oct 1802 City: Pelham County: Hampshire Source: Family History Library, Salt Lake City, UT, Film # 0823579 item 2. This is a different marriage date shown in the book (14 Nov 1802) "The Phelps Family in America...", 1899, by Phelps and Servin, page 321. Arnold

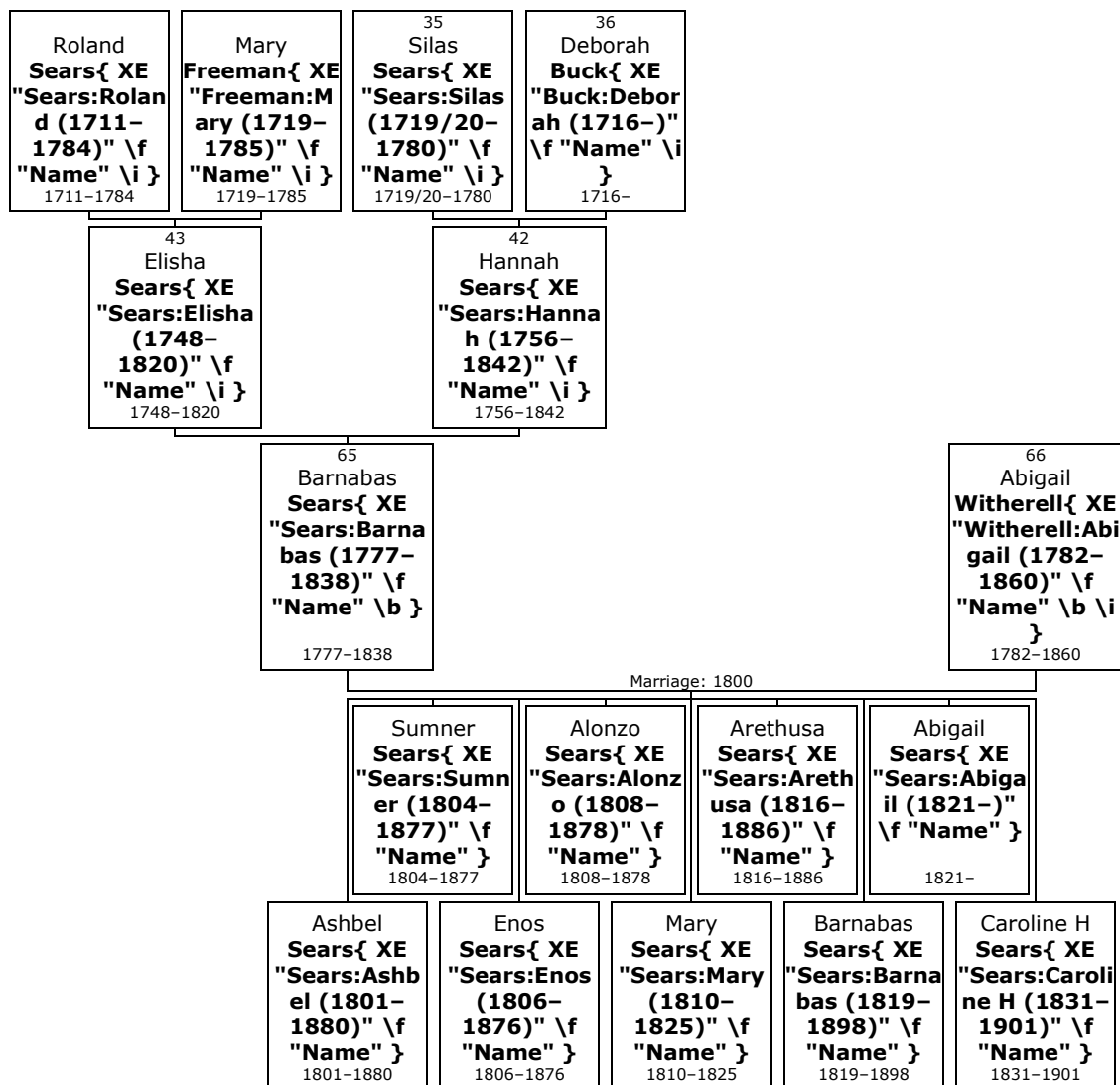
Sons of Polly Sears and Asahel Phelps:

- m I. **Asahel⁵ Phelps**{ XE "Phelps:Asahel (1803-1804)" \f "Name" \b } was born in 1803.^[96] He died in 1804 at the age of 1.^[96] Asahel was buried in Northampton{ XE "USA, Massachusetts, Hampshire, Northampton:(42.3251° N, 72.6412° W):Phelps, Asahel (1803-1804)" \f "Place" }.^[96]
- m II. **Joseph Edmund Phelps**{ XE "Phelps:Joseph Edmund (1805-1895)" \f "Name" \b } was born in Northampton{ XE "USA, Massachusetts, Hampshire, Northampton:(42.3251° N, 72.6412° W):Phelps, Joseph Edmund (1805-1895)" \f "Place" } on 6th January 1805.^[96] He died in Minneapolis, Hennepin, Minnesota, { XE "USA, Minnesota, Hennepin, Minneapolis:(44.98° N, 93.2638° W):Phelps, Joseph Edmund (1805-1895)" \f "Place" } on 4th March 1895, at the age of 90.^[96] Joseph Edmund was buried in Minneapolis{ XE "USA, Minnesota, Hennepin, Minneapolis:(44.98° N, 93.2638° W):Phelps, Joseph Edmund (1805-1895)" \f "Place" }.^[96]

⁹⁹ Ancestry.com, U.S., Newspaper Extractions from the Northeast, 1704-1930 (Provo, UT, USA, Ancestry.com Operations, Inc., 2014), Ancestry.com.
[Source citation includes one media item]

¹⁰⁰ Ancestry.com, Rhode Island, Vital Extracts, 1636-1899 (Provo, UT, USA, Ancestry.com Operations, Inc., 2014), Ancestry.com.
[Source citation includes one media item]

Family of Barnabas Sears and Abigail Witherell{ TC "Barnabas Sears and Abigail Witherell" \I 3 \f C}



65. **Barnabas⁴ Sears**{ XE "Sears:Barnabas (1777-1838)" \f "Name" \b } (*Hannah³, Silas²*) was born on Wednesday, 11th June 1777, in Barre, Worcester, Massachusetts, USA{ XE "USA, Massachusetts, Worcester, Barre:(42.4229° N, 72.1051° W):Sears, Barnabas (1777-1838)" \f "Place" }.^[101] He was the son of Elisha Sears{ XE "Sears:Elisha (1748-1820)" \f "Name" \i } (43) and Hannah Sears{ XE "Sears:Hannah (1756-1842)" \f "Name" \i } (42).

Barnabas died in Hardwick{ XE "USA, Massachusetts, Worcester, Hardwick:(42.3501° N, 72.1995° W):Sears, Barnabas (1777-1838)" \f "Place" } on 3rd October 1838, at the age of 61.

!Hist of Hardwick, p. 493 Barnabas, d. 3 Oct 1838 a. 67. Abigail (wid. of Barnabas), d. 4 Dec 1860, a. 80 !

!Mayflower Index, Vol III, 1960 #69,124; parents 69,134

S P May p. 302 No 850

<https://www.wikitree.com/wiki/Sears-3418>

Census: US Federal. 1810 Barre, Worcester, Massachusetts. Note: Barnabas is probably living with his wife Abigail and his four children Ashbel, Sumner, Enos, Alonzo. 3 4, 0, 0, 1, 0, 0, 0, 0, 1, 0, 0, 0. [6] US Federal. 1820 Barre, Worcester, Massachusetts. Note: Barnabas is probably living with his wife Abigail and their

¹⁰¹ Dodd, Jordan, Liahona Research, comp, Massachusetts, Marriages, 1633-1850 (Provo, UT, USA, Ancestry.com Operations Inc, 2005), Ancestry.com.

children Barnabas, Enos, Alonzo, Sumner, Ashbel, Mary and Arethusa. 3 1, 2, 1, 2, 1, 0, 0, 2, 0, 0, 1, 0. 3 [7] US Federal. 1830 Barre, Worcester, Massachusetts. Note: Barnabas is probalby living with his wife Abigail and their children Barnabas, 11, Alonzo, 22 (or Enos, 24), Caroline, Abigail, 9, and Arethusa, 14. Their son Sumner is a neighbor. One child is deaf and dumb. 3 [8]

Source: S1499 Media: Book Vital Records of Barre, Massachusetts, to the end of year 1849 Publication: Systematic History Fund Vital Records of Barre, Massachusetts, to the end of the year 1849 Worcester, Massachusetts Published by Franklin P. Rice Trustee of the Fund, 1903 Vital Records of Barre, Massachusetts to the end of the year 1849 Published by Franklin P. Rice BARRE BIRTHS To the year 1850 Page 79 SEARS, Abigail, d. Barnabas and Abigail, April 2, 1821 Alonzo, s. Barnabas and Abigail, Jan. 28, 1808 Arathusa, d. Barnabas and Abigail, Dec 13, 1816 Ashbel, s. Barnabas and Abigail, June 28, 1801 Barnabas Jr., s. Barnabas and Abigail, Aug. 12 1819 Caroline H., d. Barnabas and Abigail, Apr. 18, 1827 Enos, s. Barnabas and Abigail, June 24, 1806 Mary, d. Barnabas and Abigail, May 1, 1810 Mercy, d. Barnabas and Abigail, Sept. 8, 1824 Sumner, s. Barnabas and Abigail, Feb. 9, 1804 Page 82 Smith, Ellen Louisa, d. Charles S. and Abigail, July 23, 1845 P91 Weatherell, Abigail, d. Jacob and _____, Feb 16, 1782 Elizabeth Harrington, d. Isachar and Emily, May 3, 1826 BARRE MARRIAGES To the year 1850 Page 175 Morel [Moril in int.], Henry (s. John and Diana, a. 25) and Elizabeth H. Wetherell, January 28, 1845. Page 189 Rice, Abigail of Rutland and Stephen Jonson of Hardwick, May 31, 1774 Hannah and John Haskel, Dec 9, 1765 Phinehas and Betsy Jonson of Danna, int. Nov. 3, 1801 Ruth and Jacob Wetherel, Oct. 4, 1775 Page 197 SEARS, Abigail of Hardwick and Charles S. Smith, int. Sept. 3, 1841 Arathusa and Stephen Harris, Nov. 28, 1832 Ashbel and Hannah Stone of Hubbardston, int. Feb. 3, 1821 Barnabas and Rachel Bullard, Nov. 1, 1764 Barnabas and Abigail Witherill, Oct 21, 1800 Enos and Patty Stone, Dec. 15, 1825. C.R. Mary and Charles Stone, Nov. 18, 1827 Sumner and Asenith Voax, Sept. 21, 1824 Page 215 WETHEREL, (See Witherell) Jacob and Ruth Rice, Oct 4, 1775 WETHERELL, Asher and Lydia Smith, Aug 15, 1806 Elizabeth H. (d. Isachar and Emily, a. 18) and Henry Morel, Jan. 28, 1845 Isachar and Emily McClallen of Petersham, int. May 30, 1825 Naphtali and Mary Kelley, March 9, 1807 Page 222 WITHERELL, Lucinda and Eathen Cole, Nov. 25, 1802 WITHERILL, Abigail and Barnabas Sears, Oct. 21, 1800 BARRE DEATHS To the year 1850 Page 264 RICE, Phinehas, Feb. 24, 1814, a. 44 y. C.R. Page 266 SEARS, Caroline H., d. Barnabas, April 15, 1831 George H., s. Barnabas, Aug 31, 1843, a. 2 Mercy, d. Barnabas, April 19, 1825 _____, d. Barnabas, March 13, 1824, a. 6 m. C.R. Page 273 WETHERELL (see Witherell), Isacher, _____, 1827, a. 37 y. C.R. WITHERELL (see Wetherell), Jacob, Oct. 10, 1806. C.R. _____, w. Jacob, March 15, 1806, a. 49. C.R. _____, child Naphtali, Sept. 19, 1807. C.R.

Source: S1500 Media: Internet GED: Witherell, Naphtali a23403.ged Publication: Ancestry.com OneWorldTree

Source: S1880 Will: Witherell, Jacob Publication: Templeton Probate Court Oct 21 1800 Jacob Witherell Will Disapproved Templeton Probate Court Oct 21 1806 In the Name of God Amen I Jacob Witherell of Barre in the County of Worcester and Commonwealth of Massachusetts Yeoman do make this my last will and Testament. All my just Debt and funeral charges are to be punctually and Speedily paid and the legacies hereinafter bequeathed are to be paid. And the residue of my property to be divided in manner directed. I give and bequeath unto my Daughter Lucinda Cole ten dollars. I give and bequeath unto my Daughter Abigail Sears ten dollars. I give and bequeath unto my Son Asher Witherell ten dollars. I give and bequeath unto my Sons Naphtali, Isaac & Dan ^& Isachar all the rest and residue of my estate both real and personal to be equally divided among them; and if any of my said four last mentioned sons shall die before they arrive to the ages of twenty one years, their share or shares are to be divided among the survivors of my said last mentioned sons. And I do hereby constitute and appoint Nehemiah Allen Jun. of said Barre sole executor of this my last Will and Testament - In Witness Whereof I have hereunto set my hand and Seal this 27th Day of August in the Year of our Lord 1806. Signed, sealed and declared in presence Of Seth Lee Joseph Farrar Mathias Farrar Jacob Witherell (Seal) Worcester ss. At a Court of Probate begun & holden at Templeton (Seal) within and for the County of Worcester, in the Common- wealth of Massachusetts. The within written document which purports to be the Last Will and Testament of Jacob Witherell late of Barre in the County of Worcester deceased was presented for probate by Nehemiah Allen Jr. the executor therein named, then present Joseph Farrar one of the subscribing witnesses to said instrument, and also Doctr Walker, Joseph Bacon and Fuller Mills who severally swore that about the time of executing the said instrument and for a considerable length of time previous thereto they were well acquainted with the said Witherell and frequently visited him in his sickness and that at the time of executing the said instrument he was not in their opinion of sound mind and memory nor capable of disposing of his Estate and no evidence to the contrary being produced I do not approve of the said instrument as the last Will and Testament of said deceased. In testimony whereof I have hereunto set my hand and seal of Office the 21st day of October Anno Dominic 1806. Nath'l Paine, JProbate Enter'd from the original pr Theophs Wheeler Reg. Repository: #R42

Repository: R42 David B Stearns 7830 Westview Drive Lakewood, Colorado 80214 David B Stearns
Lakewood State: Colorado 80214

Source: S1940 Media: Census/Tax 1810 United States Federal Census, Barre, Worcester, Massachusetts
Publication: Image Source: Year: 1810; Census Place: Barre, Worcester, Massachusetts; Roll: 22; Page:
786; Image: 169.00. 1810 United States Federal Census Name: Barnabas Sears Township: Barre County:
Worcester State: Massachusetts Head of Household: 6 Males 0 thru 9: 4 Males 10 thru 15: 0 Males 16 thru
25: 0 Males 26 thru 44: 1 Males 45 and over: 0 Females 0 thru 9: 0 Females 10 thru 15: 0 Females 16 thru
25: 0 Females 26 thru 44: 1 Females 45 and over: 0 Other Free Persons: 0 Slaves: 0 Date: Neighbors:
Jonthan Rice and Jonthan Rice Jr. (in alphabetical order)

Source: S1941 Media: Census/Tax 1820 United States Federal Census, Barre, Worcester, Massachusetts
Publication: Image Source: Year: 1820; Census Place: Barre, Worcester, Massachusetts; Roll: M33_55;
Page: 89; Image: 95. 1820 United States Federal Census Name: Barnabas Sears Township: Barre County:
Worcester State: Massachusetts Males 0 thru 9: 1 Males 10 thru 15: 2 Males 16 thru 18: 1 Males 18 thru 25:
2 Males 26 thru 44: 1 Males 45 and over: 0 Females 0 thru 9: 0 Females 10 thru 15: 2 Females 16 thru 18:
0 Females 18 thru 25: 0 Females 26 thru 44: 1 Females 45 and over: 0 Foreigners not naturalized: No.
Persons in Agriculture: No. Persons in Commerce: 1 No. Persons in Manufacturing: Neighbors: Nememiah
and Nathan Allen, Stephen and Joseph Allen

Source: S1948 Media: Internet Ancestry.com OneWorldTree: Sears, Barnabas Contact: Unknown
Publication: Ancestry.com OneWorldTree
http://awtc.ancestry.com/cgi-bin/igm.cgi?op=GET&db=*v82t0721&id=I20887 Entries: Updated:
Contact: Unknown ID: I20887 Name: Barnabas SEARS Sex: M Birth: 11 JUN 1777 in Barre, MA Death: WFT
Est. 1832-1869 Father: Elisha SEARS b: 6 JUN 1748 in Hardwick, MA Mother: Hannah SEARS b: 1756
Marriage 1 Abigail WITHERELL b: ABT. 1780 Married: 21 OCT 1800 in Barre, MA Children 1. Ashbel SEARS
b: 28 JUN 1801 in Barre, MA 2. Sumner SEARS b: 9 FEB 1804 3. Enos SEARS b: 24 JUN 1806 4. Alonzo
SEARS b: 28 JAN 1808 5. Mary SEARS b: 1 MAY 1810 6. Arethusa SEARS b: 13 DEC 1816 7. Barnabas
SEARS b: 12 AUG 1819 8. Caroline SEARS b: 15 APR 1831 ID: I20893 Name: Abigail WITHERELL Sex: F
Birth: ABT. 1780 Death: 4 DEC 1860

Source: S1949 Media: Internet Ancestry.com OneWorldTree: Sears, Barnabas - Faith Olivia Smith Family
Glen C. Smith glen@danahillgroup.com Publication: Ancestry.com OneWorldTree
<http://awtc.ancestry.com/cgi-bin/igm.cgi?op=GET&db=gcsjam&id=I7503> Mr. Entries: 13737 Updated:
Sun Apr 18 13:15:05 2004 Faith Olivia Smith Family Contact: Glen C. Smith glen@danahillgroup.com ID:
I7503 Name: Barnabus SEARS Surname: SEARS Given Name: Barnabus Sex: M Birth: 11 Jun 1777 in
Barre, Worcester Cty, Mass. Death: 22 Oct 1838 in Hardwick, Worcester Cty, Mass. _UID:
C607A44261371841BD444FC96F224C31CBB3 Change Date: 28 Feb 1999 at 00:00:00 Father: Elisha
SEARS b: 6 Jun 1748 in Hardwick, Worcester Cty, Mass. Mother: Hannah SEARS b: 1756 Marriage 1 Abigail
WETHERELL b: 16 Feb 1782 in Barre, Worcester Cty, Mass. Married: 21 Oct 1800 Children 1. Arethusa
SEARS b: 13 Dec 1816 in Barre, Worcester Cty, Mass. ID: I7502 Name: Abigail WETHERELL Surname:
WETHERELL Given Name: Abigail Sex: F Birth: 16 Feb 1782 in Barre, Worcester Cty, Mass. Death: 4 Dec
1860 in Hardwick, Worcester Cty, Mass. _UID: 8902D19ECDE4D043B8FD5AD98B77C8E0500A Change
Date: 27 Feb 1999 at 00:00:00 Father: Jacob WETHERELL b: 20 Feb 1746/1747 Mother: Ruth RICE b: 12
Feb 1758 ID: I7504 Name: Arethusa SEARS Surname: SEARS Given Name: Arethusa Sex: F Birth: 13 Dec
1816 in Barre, Worcester Cty, Mass. Death: 18 Dec 1894 in Athol, Worcester Cty, Mass. _UID:
6E97C4DEDD345D4F8BB09C74C710040D972D Change Date: 27 Feb 1999 at 00:00:00 Father: Barnabus
SEARS b: 11 Jun 1777 in Barre, Worcester Cty, Mass. Mother: Abigail WETHERELL b: 16 Feb 1782 in Barre,
Worcester Cty, Mass. Marriage 1 Stephen HARRIS Married: 28 Nov 1832 ID: I7505 Name: Stephen HARRIS
Surname: HARRIS Given Name: Stephen Sex: M Death: 12 May 1844 _UID:
9891F4FF651F0F4AA231A5A481303D454857 Change Date: 27 Feb 1999 at 00:00:00 Children 1. Sarah
Abbie HARRIS b: 6 Nov 1841 in Petersham, Worcester Cty, Mass. ID: I7506 Name: Sarah Abbie HARRIS
Surname: HARRIS Given Name: Sarah Abbie Sex: F Birth: 6 Nov 1841 in Petersham, Worcester Cty, Mass.
_UID: 31AB58EEB77B3A4796F054DB30B90F9315B6 Change Date: 28 Feb 1999 at 00:00:00 Father:
Stephen HARRIS Mother: Arethusa SEARS b: 13 Dec 1816 in Barre, Worcester Cty, Mass. Marriage 1 David
Daupheus GAY b: 13 Apr 1838 in Athol, Worcester Cty, Mass. Married: 6 Nov 1860 Children 1. Anna Maria
GAY b: 29 Jun 1866 in New Salem, Franklin Cty, Mass. ID: I7338 Name: Anna Maria GAY Surname: GAY
Given Name: Anna Maria Sex: F Birth: 29 Jun 1866 in New Salem, Franklin Cty, Mass. Death: 22 Jul 1945
in Athol, Worcester Cty, Mass. Burial: Highland Cem, Athol, Worcester Cty, Mass. _UID:
065A9454FF3CF747A3B56CC3217B45DF086F Occupation: At Home Change Date: 9 Oct 2000 at 01:00:00
Father: David Daupheus GAY b: 13 Apr 1838 in Athol, Worcester Cty, Mass. Mother: Sarah Abbie HARRIS
b: 6 Nov 1841 in Petersham, Worcester Cty, Mass. Marriage 1 Henry Guilford RATHBURN b: 12 Sep 1869 in

Hardwick, Worcester Cty, Mass. Married: 9 Mar 1889 in E. Templeton, Worcester Cty, Mass. Children 1. Orson Henry RATHBURN b: 16 Jun 1892 in Athol, Worcester Cty, Mass. 2. Starr RATHBURN b: 8 Aug 1893 in Athol, Worcester Cty, Mass. 3. Hazel Pearl RATHBURN b: 19 May 1897 in Athol, Worcester Cty, Mass. 4. David Earl RATHBURN b: 5 Jan 1899 in Athol, Worcester Cty, Mass. 5. Bonnie Geneva RATHBURN b: 8 May 1903 in Athol, Worcester Cty, Mass. 6. Clarence Harris RATHBURN b: 22 Apr 1906 in Athol, Worcester Cty, Mass.

Source: S1950 Media: Census/Tax 1830 United States Federal Census, Barre, Worcester, Massachusetts
 Publication: Image Source: Year: 1830; Census Place: Barre, Worcester, Massachusetts; Roll: 68; Page: 573. 1830 United States Federal Census Name: Barnabas Sears Township: Barre County: Worcester State: Massachusetts Number of persons in household: 8 Males 10 thru 14: 1 Males 20 thru 29: 1 Males 50 thru 59: 1 Females 0 thru 4: 1 Females 5 thru 9: 1 Females 10 thru 14: 1 Females 40 thru 49: 1 Deaf and Dumb 14 to 25: 1 Neighbors: Sumner Sears

66. At the age of 23, Barnabas married **Abigail Witherell**{ XE "Witherell:Abigail (1782-1860)" \f "Name" \b \i } on Tuesday, 21st October 1800, in Barre{ XE "USA, Massachusetts, Worcester, Barre:(42.4229° N, 72.1051° W):Sears, Barnabas (1777-1838)" \f "Place" } when she was 18 years old.^[101] They had nine children: Ashbel (1801-1880), Sumner (1804-1877), Enos (1806-1876), Alonzo (1808-1878), Mary (1810-1825), Arethusa (1816-1886), Barnabas (1819-1898), Abigail (1821-) and Caroline (1831-1901).
 Abigail was born in Barre{ XE "USA, Massachusetts, Worcester, Barre:(42.4229° N, 72.1051° W):Witherell, Abigail (1782-1860)" \f "Place" } on Saturday, 16th February 1782. She reached 78 years of age and died in Hardwick{ XE "USA, Massachusetts, Worcester, Hardwick:(42.3501° N, 72.1995° W):Witherell, Abigail (1782-1860)" \f "Place" } on 4th December 1860.^[102]

Children of Barnabas Sears and Abigail Witherell:

- m I. **Ashbel^s Sears**{ XE "Sears:Ashbel (1801-1880)" \f "Name" \b } was born in Barre{ XE "USA, Massachusetts, Worcester, Barre:(42.4229° N, 72.1051° W):Sears, Ashbel (1801-1880)" \f "Place" } on 28th June 1801. He died in 1880 at the age of 78.
 Ashbel married **Hannah Stone**{ XE "Stone:Hannah (1801-1871)" \f "Name" \b \i } on Wednesday, 7th March 1821, in Barre{ XE "USA, Massachusetts, Worcester, Barre:(42.4229° N, 72.1051° W):Sears, Ashbel (1801-1880)" \f "Place" }. They had nine children: Lavina (1824-1855), Mary (1827-), Hamilton (1830-1831), Charlotte (1833-1903), Charles (1836-1888), Eliphalet (1841-1925), George (1857-1928), Josephine (1860-) and (unknown given name) (-1822).
 Hannah was born in 1801. She reached 70 years of age and died in 1871.
- m II. **Sumner Sears**{ XE "Sears:Sumner (1804-1877)" \f "Name" \b } was born in Barre{ XE "USA, Massachusetts, Worcester, Barre:(42.4229° N, 72.1051° W):Sears, Sumner (1804-1877)" \f "Place" } on 9th February 1804.^[103, 104-105] He died in Barre{ XE "USA, Massachusetts, Worcester, Barre:(42.4229° N, 72.1051° W):Sears, Sumner (1804-1877)" \f "Place" } on 18th May 1877, at the age of 73.^[103, 104] Sumner was buried in Barre{ XE "USA, Massachusetts, Worcester, Barre:(42.4229° N, 72.1051° W):Sears, Sumner (1804-1877)" \f "Place" }.^[103]



Sumner

More facts and events for Sumner Sears:

Residence: 1840 Barre{ XE "USA, Massachusetts, Worcester, Barre:(42.4229° N, 72.1051° W):Sears, Sumner (1804-1877)" \f "Place" }^[105]

¹⁰² "Ancestry Family Tree", Record for Barnabas Sears-<https://www.ancestry.com/family-tree/tree/1042225/person/24444136584>.
<https://familysearch.org/ark:/61903/1:1:F7WF-24W>.

¹⁰³ Ancestry.com, U.S., Find A Grave Index, 1600s-Current (Provo, UT, USA, Ancestry.com Operations, Inc., 2012), Ancestry.com.

¹⁰⁴ Ancestry.com, Massachusetts, Death Records, 1841-1915 (Provo, UT, USA, Ancestry.com Operations, Inc., 2013), Ancestry.com.

¹⁰⁵ Ancestry.com, 1840 United States Federal Census (Provo, UT, USA, Ancestry.com Operations, Inc., 2010), Ancestry.com, Year: 1840; Census Place: Barre, Worcester, Massachusetts; Roll: 199; Page: 137; Family History Library Film: 0014682.

Sumner Sears married **Asenath Vokes**{ XE "Vokes:Asenath (1803–1887)" \f "Name" \b \i } on Tuesday, 21st September 1824, in Barre{ XE "USA, Massachusetts, Worcester, Barre:(42.4229° N, 72.1051° W):Sears, Sumner (1804–1877)" \f "Place" }.^[103] They had seven children: Harriet (1825–1893), Sarah (1828–1904), Elizabeth (1833–1863), Mary (1837–1863), Franklin (1840–1862), Charles (1844–1850) and Caroline (ca.1847–).

Asenath was born in perh, Barre,{ XE "USA, Massachusetts, Worcester, Barre, perh: :Vokes, Asenath (1803–1887)" \f "Place" } in 1803.^[103] She reached 84 years of age and died on 6th March 1887.^[103] Asenath was buried in Barre{ XE "USA, Massachusetts, Worcester, Barre:(42.4229° N, 72.1051° W):Vokes, Asenath (1803–1887)" \f "Place" }.^[103]

- m III. **Enos Sears**{ XE "Sears:Enos (1806–1876)" \f "Name" \b } was born in Barre{ XE "USA, Massachusetts, Worcester, Barre:(42.4229° N, 72.1051° W):Sears, Enos (1806–1876)" \f "Place" } on 24th June 1806. He died in 1876 at the age of 69.
- m IV. **Alonzo Sears**{ XE "Sears:Alonzo (1808–1878)" \f "Name" \b } was born in Barre{ XE "USA, Massachusetts, Worcester, Barre:(42.4229° N, 72.1051° W):Sears, Alonzo (1808–1878)" \f "Place" } on 28th January 1808.^[106] He died in 1878 at the age of 69.^[106]

More facts and events for Alonzo Sears:

Residence: 1850 Hardwick{ XE "USA, Massachusetts, Worcester, Hardwick:(42.3501° N, 72.1995° W):Sears, Alonzo (1808–1878)" \f "Place" }.^[106]

Residence: 1855 Petersham{ XE "USA, Massachusetts, Worcester, Petersham:(42.4876° N, 72.187° W):Sears, Alonzo (1808–1878)" \f "Place" }.^[106]

Residence: 1865 New Braintree{ XE "USA, Massachusetts, Worcester, New Braintree:(42.3168° N, 72.1259° W):Sears, Alonzo (1808–1878)" \f "Place" }.^[106]

Residence: 1870 Petersham{ XE "USA, Massachusetts, Worcester, Petersham:(42.4876° N, 72.187° W):Sears, Alonzo (1808–1878)" \f "Place" }.^[106]

Alonzo Sears married **Mary Rogers**{ XE "Rogers:Mary (1824–)" \f "Name" \b \i }. They had seven children: Franklin (1845–1860), Cordelia (1849–1860), Jane (1851–), Harriet (1854–1936), George (1857–), Lucy (1860–) and Mary (1862–).

Mary was born in 1824.

- f V. **Mary Sears**{ XE "Sears:Mary (1810–1825)" \f "Name" \b } was born in Barre{ XE "USA, Massachusetts, Worcester, Barre:(42.4229° N, 72.1051° W):Sears, Mary (1810–1825)" \f "Place" } on 1st May 1810. She died on 19th April 1825, at the age of 14.
- f VI. **Arethusa Sears**{ XE "Sears:Arethusa (1816–1886)" \f "Name" \b } was born in Barre{ XE "USA, Massachusetts, Worcester, Barre:(42.4229° N, 72.1051° W):Sears, Arethusa (1816–1886)" \f "Place" } on 13th December 1816. She died in 1886 at the age of 69.
- m VII. **Barnabas Sears**{ XE "Sears:Barnabas (1819–1898)" \f "Name" \b } was born in Barre{ XE "USA, Massachusetts, Worcester, Barre:(42.4229° N, 72.1051° W):Sears, Barnabas (1819–1898)" \f "Place" } on 12th August 1819.^[102, 107, 108] He died in Tewksbury, Middlesex,{ XE "USA, Massachusetts, Middlesex, Tewksbury:(42.6107° N, 71.2342° W):Sears, Barnabas (1819–1898)" \f "Place" } on 8th December 1898, at the age of 79.^[102]

¹⁰⁶ "Ancestry Family Tree", Record for Alonzo Sears-<https://www.ancestry.com/family-tree/person/tree/22543080/person/1256274628/facts> tree of Aspired2Write. <https://search.ancestry.com/cgi-bin/sse.dll?db=1030&h=1256274628&indiv=try>.

¹⁰⁷ Ancestry.com, Massachusetts, Town and Vital Records, 1620-1988 (Provo, UT, USA, Ancestry.com Operations, Inc., 2011), Ancestry.com.

¹⁰⁸ Ancestry.com and The Church of Jesus Christ of Latter-day Saints, 1880 United States Federal Census (Provo, UT, USA, Ancestry.com Operations Inc, 2010), Ancestry.com, Year: 1880; Census Place: North Adams, Berkshire, Massachusetts; Roll: 521; Family History Film: 1254521; Page: 240D; Enumeration District: 053.

More facts and events for Barnabas Sears:

- Residence: 1830 Barre, Worcester{ XE "USA, Massachusetts, Worcester, Barre:(42.4229° N, 72.1051° W):Sears, Barnabas (1819-1898)" \f "Place" }^[102]
- Residence: 1870 Adams, Berkshire{ XE "USA, Massachusetts, Berkshire, Adams:(42.6243° N, 73.1176° W):Sears, Barnabas (1819-1898)" \f "Place" }^[102]
- Residence: 1879 North Adams{ XE "USA, Massachusetts, Berkshire, North Adams:(42.7009° N, 73.1087° W):Sears, Barnabas (1819-1898)" \f "Place" }^[102]
- Residence: 1880 North Adams{ XE "USA, Massachusetts, Berkshire, North Adams:(42.7009° N, 73.1087° W):Sears, Barnabas (1819-1898)" \f "Place" }^[102, 108]
- Marital Status: Married; Relation to Head: Self

At the age of 21, Barnabas Sears married **Caroline Boardman**{ XE "Boardman:Caroline (1821-1910)" \f "Name" \b \i } on Wednesday, 23rd September 1840, in Schuylerville, Saratoga, New York,{ XE "USA, New York, Saratoga, Schuylerville:(43.1001° N, 73.5818° W):Sears, Barnabas (1819-1898)" \f "Place" } when she was 18 years old.^[102] They had four children: George (1841-1843), George (1845-1885), Ella (1858-) and Charles (1860-).

Caroline was born in Rupert, Bennington, Vermont,{ XE "USA, Vermont, Bennington, Rupert:(43.2597° N, 73.2233° W):Boardman, Caroline (1821-1910)" \f "Place" } on Tuesday, 4th December 1821.^[108] She reached 88 years of age and died in 1910.

father b. MA and mother b. NY

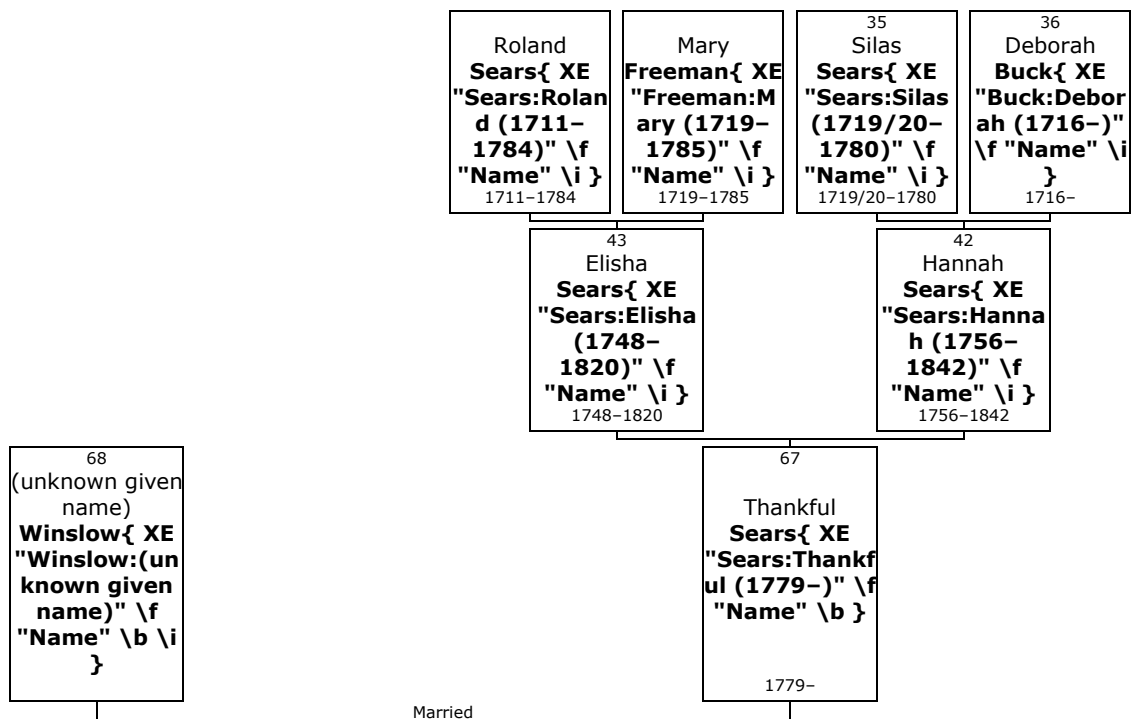
- f VIII. **Abigail Sears**{ XE "Sears:Abigail (1821-)" \f "Name" \b } was born in perh, Hardwick,{ XE "USA, Massachusetts, Worcester, Hardwick, perh: :Sears, Abigail (1821-)" \f "Place" } in 1821.

Abigail Sears married **Charles S Smith**{ XE "Smith:Charles S (1821-)" \f "Name" \b \i } on Tuesday, 21st September 1841, in Hardwick{ XE "USA, Massachusetts, Worcester, Hardwick:(42.3501° N, 72.1995° W):Sears, Abigail (1821-)" \f "Place" }. They had no known children.

Charles S was born in Barre{ XE "USA, Massachusetts, Worcester, Barre:(42.4229° N, 72.1051° W):Smith, Charles S (1821-)" \f "Place" } in 1821.

- f IX. **Caroline H Sears**{ XE "Sears:Caroline H (1831-1901)" \f "Name" \b } was born in Barre{ XE "USA, Massachusetts, Worcester, Barre:(42.4229° N, 72.1051° W):Sears, Caroline H (1831-1901)" \f "Place" } on 15th April 1831. She died in 1901 at the age of 69.

Family of Thankful Sears and Winslow{ TC "Thankful Sears and Winslow" \I 3 \f C}



67. **Thankful⁴ Sears**{ XE "Sears:Thankful (1779-)" \f "Name" \b } (*Hannah³, Silas²*) was born in 1779 in Barre, Worcester, Massachusetts, USA{ XE "USA, Massachusetts, Worcester, Barre:(42.4229° N, 72.1051° W):Sears, Thankful (1779-)" \f "Place" }. She was the daughter of Elisha Sears{ XE "Sears:Elisha (1748-1820)" \f "Name" \i } (43) and Hannah Sears{ XE "Sears:Hannah (1756-1842)" \f "Name" \i } (42).

!S P May No 851
<https://www.wikitree.com/wiki/Sears-4869>

68. She married **(unknown given name) Winslow**{ XE "Winslow:(unknown given name)" \f "Name" \b \i }.

Lydia Sears{ TC "Lydia Sears" \I 3 \f C}

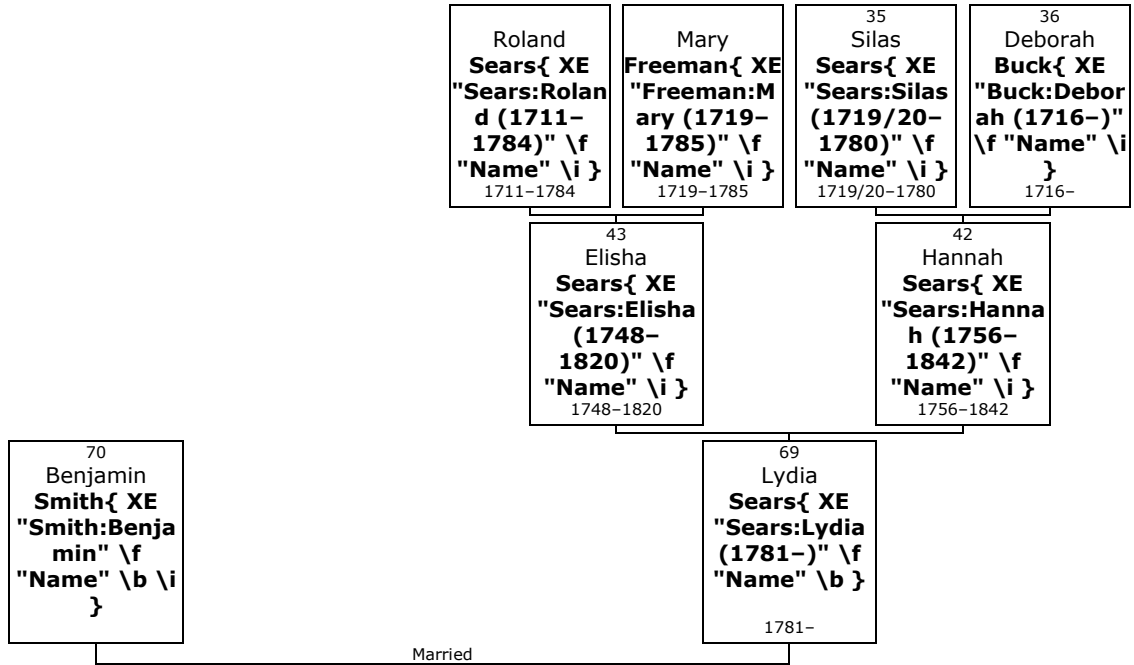
69. **Lydia⁴ Sears**{ XE "Sears:Lydia (1781-)" \f "Name" \b } (*Hannah³, Silas²*) was born in 1781 in Barre, Worcester, Massachusetts, USA{ XE "USA, Massachusetts, Worcester, Barre:(42.4229° N, 72.1051° W):Sears, Lydia (1781-)" \f "Place" }. She was the daughter of Elisha Sears{ XE "Sears:Elisha (1748-1820)" \f "Name" \i } (43) and Hannah Sears{ XE "Sears:Hannah (1756-1842)" \f "Name" \i } (42).

<https://www.wikitree.com/wiki/Sears-4870>

S P May No 852

Marriages with Benjamin Smith and Asher Witherell (Page 93) are known.

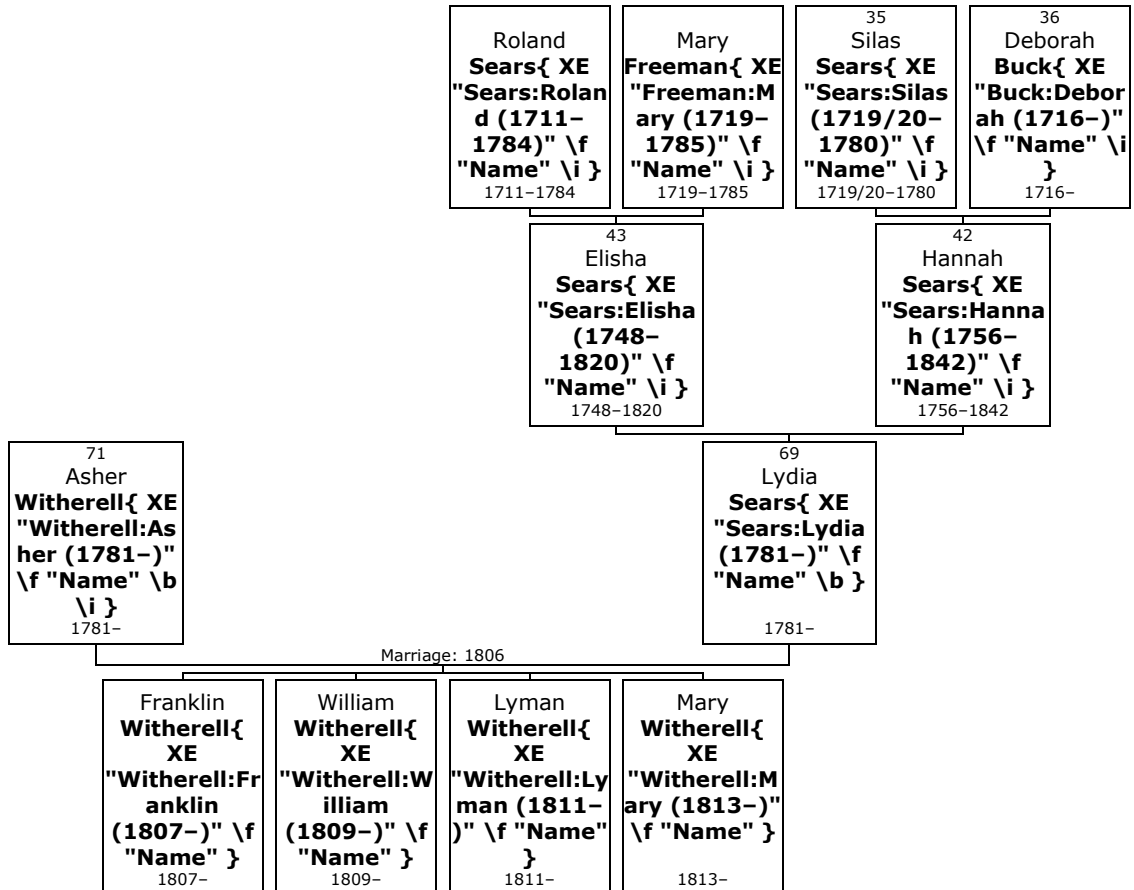
Family of Lydia Sears and Benjamin Smith{ TC "Lydia Sears and Benjamin Smith" \I 4 \f C}



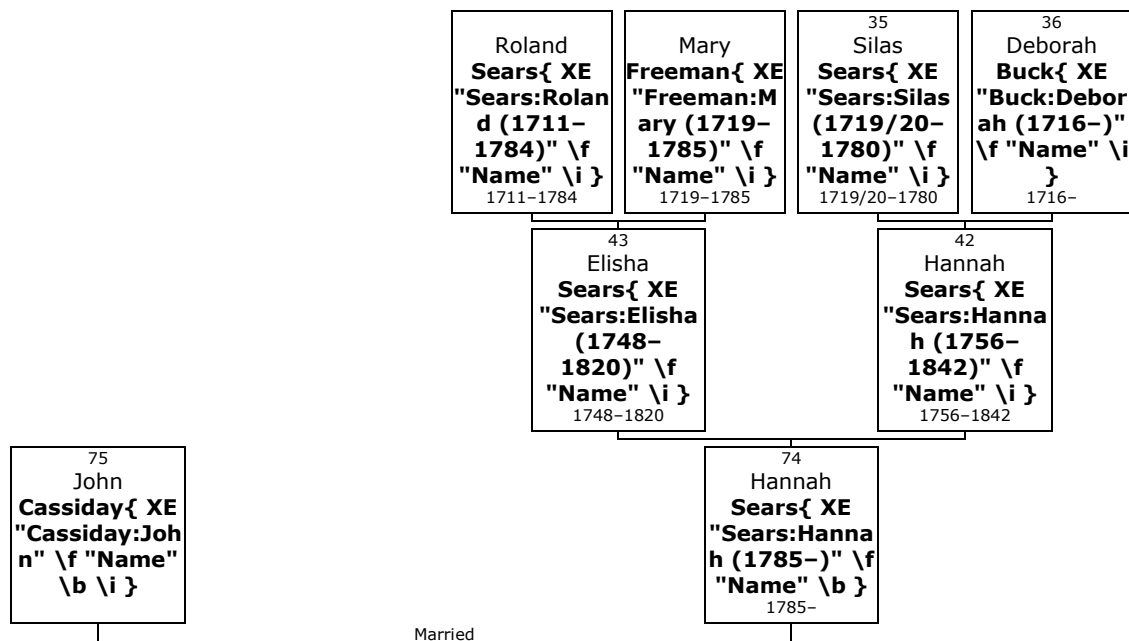
Here are the details about **Lydia Sears**{ XE "Sears:Lydia (1781-)" \f "Name" \b } first marriage, with Benjamin Smith. You can read more about Lydia on page 91.

70. Lydia married **Benjamin Smith**{ XE "Smith:Benjamin" \f "Name" \b \i }.

Family of Lydia Sears and Asher Witherell{ TC "Lydia Sears and Asher Witherell" \I 4 \f C}



Family of Hannah Sears and John Cassiday{ TC "Hannah Sears and John Cassiday" \i 3 \f C}



- 74.** **Hannah⁴ Sears**{ XE "Sears:Hannah (1785-)" \f "Name" \b } (*Hannah³, Silas²*) was born in 1785 in Barre, Worcester, Massachusetts, USA{ XE "USA, Massachusetts, Worcester, Barre:(42.4229° N, 72.1051° W):Sears, Hannah (1785-)" \f "Place" }. She was the daughter of Elisha Sears{ XE "Sears:Elisha (1748-1820)" \f "Name" \i } (43) and Hannah Sears{ XE "Sears:Hannah (1756-1842)" \f "Name" \i } (42).

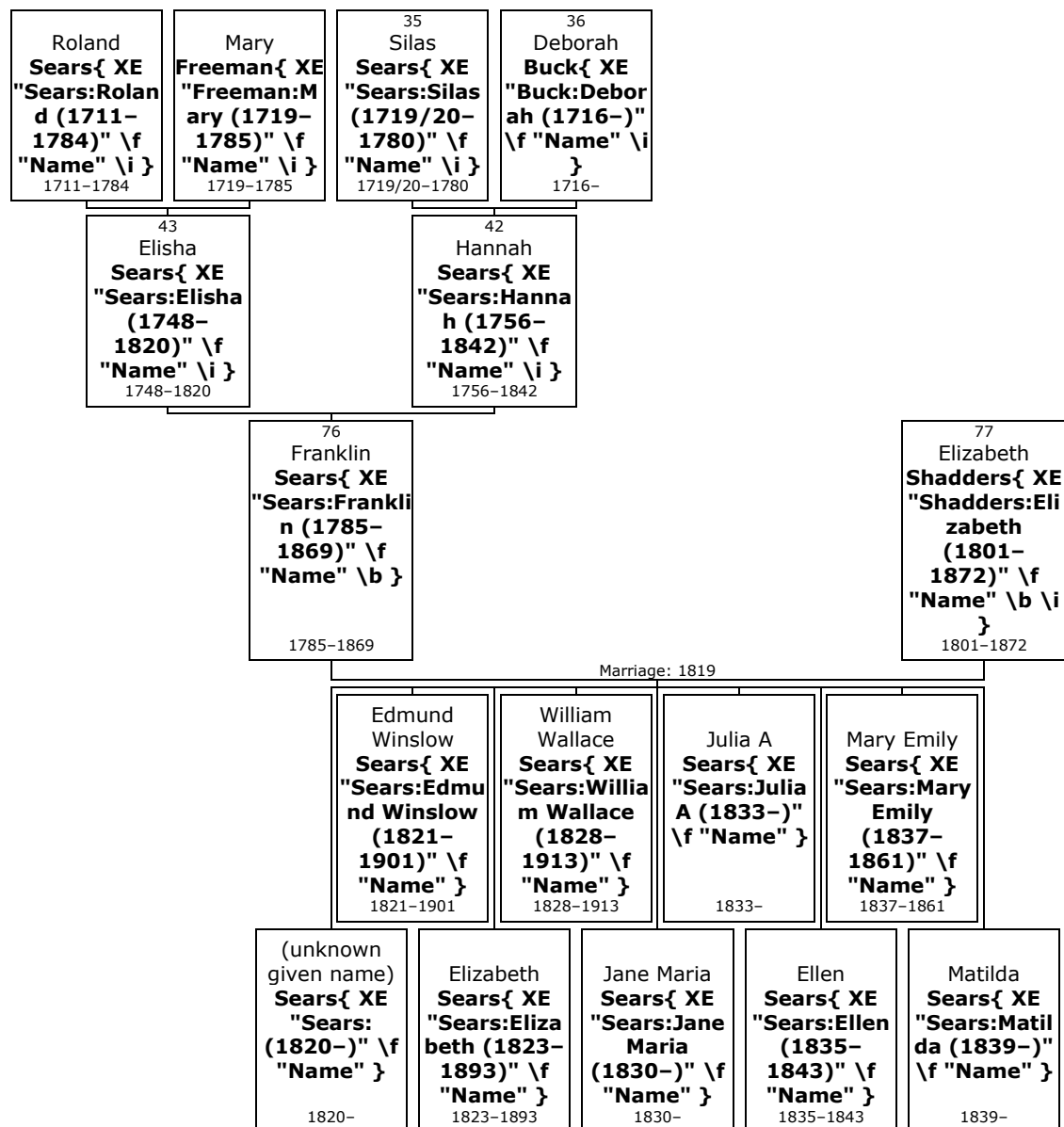
Hannah died in Albion, Orleans, New York{ XE "USA, New York, Orleans, Albion:(43.2464° N, 78.1939° W):Sears, Hannah (1785-)" \f "Place" }.

!S.P. May p.186 (No 854) had 3 sons

<https://www.wikitree.com/wiki/Sears-4872>

- 75.** She married **John Cassiday**{ XE "Cassiday:John" \f "Name" \b \i }.

Family of Franklin Sears and Elizabeth Shadders{ TC "Franklin Sears and Elizabeth Shadders" \I 3 \f C}



76. **Franklin⁴ Sears**{ XE "Sears:Franklin (1785-1869)" \f "Name" \b } (*Hannah³, Silas²*) was born on Monday, 3rd October 1785, in Barre, Worcester, Massachusetts, USA{ XE "USA, Massachusetts, Worcester, Barre:(42.4229° N, 72.1051° W):Sears, Franklin (1785-1869)" \f "Place" }.^[109] He was the son of Elisha Sears{ XE "Sears:Elisha (1748-1820)" \f "Name" \i } (43) and Hannah Sears{ XE "Sears:Hannah (1756-1842)" \f "Name" \i } (42).

Franklin died in Leicester, Livingston, New York,{ XE "USA, New York, Livingston, Leicester:(42.772° N, 77.8966° W):Sears, Franklin (1785-1869)" \f "Place" } on 4th January 1869, at the age of 83.^[109] He was buried in Leicester{ XE "USA, New York, Livingston, Leicester:(42.772° N, 77.8966° W):Sears, Franklin (1785-1869)" \f "Place" }.^[109]

<https://www.wikitree.com/wiki/Sears-3201>
S P May p 302

77. At the age of 34, Franklin married **Elizabeth Shadders**{ XE "Shadders:Elizabeth (1801-1872)" \f "Name" \b \i } on Thursday, 9th December 1819, in Groveland{ XE "USA, New York, Livingston,

¹⁰⁹ Ancestry.com, U.S., Find A Grave Index, 1600s-Current (Provo, UT, USA, Ancestry.com Operations, Inc., 2012), Ancestry.com.

Groveland:(42.6647° N, 77.77° W):Sears, Franklin (1785–1869)" \f "Place" } when she was 18 years old. They had nine children: (unknown given name) (1820–), Edmund (1821–1901), Elizabeth (1823–1893), William (1828–1913), Jane (1830–), Julia (1833–), Ellen (1835–1843), Mary (1837–1861) and Matilda (1839–).

Elizabeth was born in Hagerstown, Washington, Maryland,{ XE "USA, Maryland, Washington, Hagerstown:(39.6418° N, 77.72° W):Shadders, Elizabeth (1801–1872)" \f "Place" } on Thursday, 22nd January 1801. She reached 71 years of age and died in Moscow, New York,{ XE "USA, New York, Moscow: :Shadders, Elizabeth (1801–1872)" \f "Place" } on 9th February 1872.

Children of Franklin Sears and Elizabeth Shadders:

f I. **(unknown given name)⁵ Sears**{ XE "Sears: (1820–)" \f "Name" \b } was born in perh, Groveland,{ XE "USA, New York, Livingston, Groveland, perh: :Sears, (1820–)" \f "Place" } in 1820.

m II. **Edmund Winslow Sears**{ XE "Sears:Edmund Winslow (1821–1901)" \f "Name" \b } was born in Groveland{ XE "USA, New York, Livingston, Groveland:(42.6647° N, 77.77° W):Sears, Edmund Winslow (1821–1901)" \f "Place" } on 9th October 1821.^[109, 110, 111, 112, 113–114] He was known by the title of Rev.



Edmund

Edmund Winslow died in 1901 at the age of 79. He was buried in Leicester{ XE "USA, New York, Livingston, Leicester:(42.772° N, 77.8966° W):Sears, Edmund Winslow (1821–1901)" \f "Place" }.^[109]

More facts and events for Edmund Winslow Sears:

Residence: 1855	Leicester{ XE "USA, New York, Livingston, Leicester:(42.772° N, 77.8966° W):Sears, Edmund Winslow (1821–1901)" \f "Place" } ^[112]
	Relation to Head of House: Head
Residence: 1865	Leicester{ XE "USA, New York, Livingston, Leicester:(42.772° N, 77.8966° W):Sears, Edmund Winslow (1821–1901)" \f "Place" } ^[113]
	Relation to Head of House: Head
Census: 1870	Leicester{ XE "USA, New York, Livingston, Leicester:(42.772° N, 77.8966° W):Sears, Edmund Winslow (1821–1901)" \f "Place" }
Residence: 1 st June 1875	Leicester{ XE "USA, New York, Livingston, Leicester:(42.772° N, 77.8966° W):Sears, Edmund Winslow (1821–1901)" \f "Place" } ^[111]
	Relation to Head of House: Head
Residence: 1880	Moscow{ XE "USA, New York, Livingston, Moscow: :Sears, Edmund Winslow (1821–1901)" \f "Place" } ^[114]
	Marital Status: Married; Relation to Head: Self

¹¹⁰ Ancestry.com, 1900 United States Federal Census (Provo, UT, USA, Ancestry.com Operations Inc, 2004), Ancestry.com, Year: 1900; Census Place: Leicester, Livingston, New York; Roll: 1070; Page: 14B; Enumeration District: 0026; FHL microfilm: 1241070.

¹¹¹ Ancestry.com, New York, State Census, 1875 (Provo, UT, USA, Ancestry.com Operations, Inc., 2013), Ancestry.com.

¹¹² Ancestry.com, New York, State Census, 1855 (Provo, UT, USA, Ancestry.com Operations, Inc., 2013), Ancestry.com.

¹¹³ Ancestry.com, New York, State Census, 1865 (Provo, UT, USA, Ancestry.com Operations, Inc., 2014), Ancestry.com.

¹¹⁴ Ancestry.com and The Church of Jesus Christ of Latter-day Saints, 1880 United States Federal Census (Provo, UT, USA, Ancestry.com Operations Inc, 2010), Ancestry.com, Year: 1880; Census Place: Moscow, Livingston, New York; Roll: 858; Family History Film: 1254858; Page: 130C; Enumeration District: 025.

Residence: 1900

Leicester{ XE "USA, New York, Livingston, Leicester:(42.772° N, 77.8966° W):Sears, Edmund Winslow (1821-1901)" \f "Place" }^[110]
 Marital Status: Married; Relation to Head: Head

At the age of 20, Edmund Winslow married **Sophonria Reed Brush**{ XE "Brush:Sophonria Reed (1824-1904)" \f "Name" \b \i } on Tuesday, 21st June 1842, at By Rev Mcdonald in Moscow{ XE "USA, New York, Moscow: :Sears, Edmund Winslow (1821-1901)" \f "Place" } when she was 17 years old.^[110-114]

They had nine children: Robert (1843-1864), Martha (1845-), Amelia (1847-1933), Frank (1849-1931), Stella (1852-1902), Willie (1856-1917), Mary (1857-1860), Hattie (1861-1863) and Flora (1865-). Sophronia Reed was born in Rochester, Monroe,{ XE "USA, New York, Monroe, Rochester:(43.1548° N, 77.6156° W):Brush, Sophronia Reed (1824-1904)" \f "Place" } on Sunday, 27th June 1824.^[110-114]

She reached 79 years of age and died in 1904.

- f III. **Elizabeth Sears**{ XE "Sears:Elizabeth (1823-1893)" \f "Name" \b } was born in Groveland{ XE "USA, New York, Livingston, Groveland:(42.6647° N, 77.77° W):Sears, Elizabeth (1823-1893)" \f "Place" } in 1823. She died in 1893 at the age of 70.
 Elizabeth married **Harry Ewart**{ XE "Ewart:Harry" \f "Name" \b \i }.
- m IV. **William Wallace Sears**{ XE "Sears:William Wallace (1828-1913)" \f "Name" \b } was born at Short Tract, Alleghany, NY in Groveland{ XE "USA, New York, Livingston, Groveland:(42.6647° N, 77.77° W):Sears, William Wallace (1828-1913)" \f "Place" } on 21st April 1828. He died in Malden, Whitman, Washington,{ XE "USA, Washington, Whitman, Malden:(47.2288° N, 117.4727° W):Sears, William Wallace (1828-1913)" \f "Place" } on 27th February 1913, at the age of 84.
 William Wallace married **Margaret Poorman**{ XE "Poorman:Margaret (1832-1910)" \f "Name" \b \i }. They had three children: Franklin (1856-), Barnabus (1868-) and Frances (1877-).
 Margaret was born in perh, Groveland, Livingston, New York,{ XE "USA, New York, Livingston, Groveland, perh: :Poorman, Margaret (1832-1910)" \f "Place" } in 1832. She reached 78 years of age and died in 1910.
- f V. **Jane Maria Sears**{ XE "Sears:Jane Maria (1830-)" \f "Name" \b } was born in perh, Groveland,{ XE "USA, New York, Livingston, Groveland, perh: :Sears, Jane Maria (1830-)" \f "Place" } on 21st July 1830.
 Jane Maria Sears married **Daniel T Barnum**{ XE "Barnum:Daniel T (1797-1880)" \f "Name" \b \i }. They had three children: Benjamin (1854-), (unknown given name) (1856-) and Daniel (1857-).
 Daniel T was born in Connecticut{ XE "USA, Connecticut:(41.5735° N, 72.7383° W):Barnum, Daniel T (1797-1880)" \f "Place" } in 1797. He reached 83 years of age and died in 1880.
- f VI. **Julia A Sears**{ XE "Sears:Julia A (1833-)" \f "Name" \b } was born in perh{ XE "USA, New York, Livingston, Groveland, perh: :Sears, Julia A (1833-)" \f "Place" } on 29th April 1833.
 Julia A Sears married **William Crawford**{ XE "Crawford:William (1829-)" \f "Name" \b \i }. They had no known children.
 William was born in 1829.
- f VII. **Ellen Sears**{ XE "Sears:Ellen (1835-1843)" \f "Name" \b } was born in perh{ XE "USA, New York, Livingston, Groveland, perh: :Sears, Ellen (1835-1843)" \f "Place" } on 26th October 1835. She died on 2nd March 1843, at the age of 7.
- f VIII. **Mary Emily Sears**{ XE "Sears:Mary Emily (1837-1861)" \f "Name" \b } was born in perh{ XE "USA, New York, Livingston, Groveland, perh: :Sears, Mary Emily (1837-1861)" \f "Place" } on 26th October 1837. She died in 1861 at the age of 23.

Mary Emily Sears married **Edward Oscar Bickford**{ XE "Bickford:Edward Oscar (1833-)" \f "Name" \b \i }. They had one daughter: Grace (1854->1920).

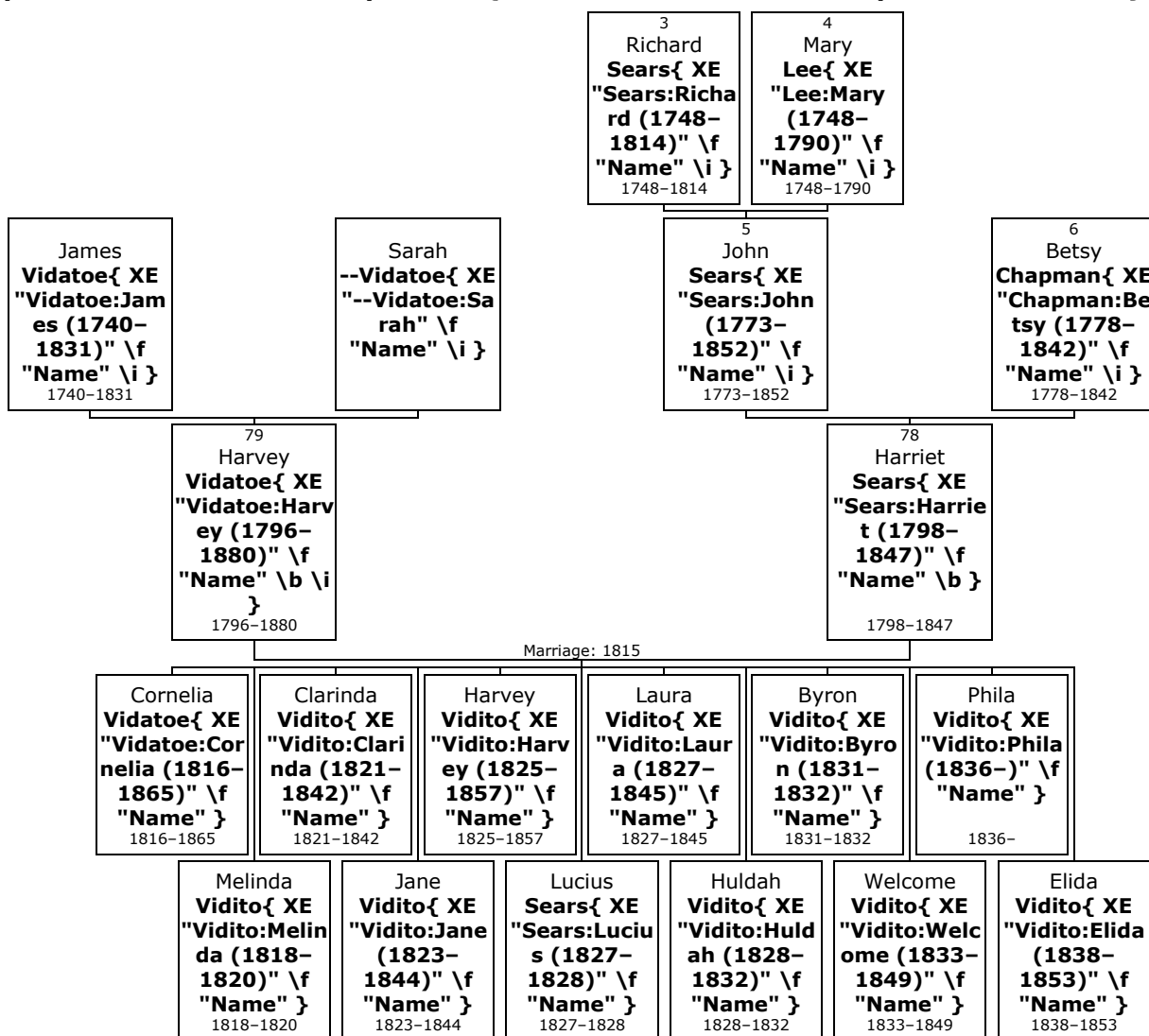
Edward Oscar was born in 1833.

lesliecooper1... Today 3:47 AM GMT I am filling in a family tree (not on the web yet) and was fascinated to find your information on my great-grandmother's maternal family. My great grandmother, Grace Bickford, was the only surviving child of Mary Emily Sears (1837-1861), married to Edward Oscar Bickford. E.O.Bickford subsequently remarried, moved to Toronto, Ontario, Canada, and had more children. His new wife was long-lived and was a strong family presence; Grace's birth mother sadly faded in history, until I found your family tree. There only seems to be one photo of Mary Emily Sears in the family, and it is a photo with E.O. Bickford, which I have. Grace gave the names Mary Emily to one of her daughters, and the names were also given to someone again in the next generation. It looks as if Mary Emily Sears died in childbirth - the family bible has an entry for the birth and death of a baby boy, Frank, in 1861. I have noted the generations you have documented going back to 1608 with interest. It is late and time for me to go to bed (!), but I wonder if I will find photographs on your family tree of Mary Emily Sears or her ancestors next time I take up this project. I am so glad I can represent her properly on our family tree, and bring her back into our family. Thank you from one Leslie to another.lesliecooper@sympatico.ca

- f IX. **Matilda Sears**{ XE "Sears:Matilda (1839-)" \f "Name" \b } was born in perh{ XE "USA, New York, Livingston, Groveland, perh: :Sears, Matilda (1839-)" \f "Place" } in 1839.

Nephews/nieces{ TC "Nephews/nieces" \I 2 \f C}

Family of Harriet Sears and Harvey Vidatoe{ TC "Harriet Sears and Harvey Vidatoe" \I 3 \f C}



78. **Harriet⁵ Sears**{ XE "Sears:Harriet (1798-1847)" \f "Name" \b } (*John⁴, Sergt Richard³, Silas²*) was born on Saturday, 7th April 1798, in Hinesburg, Chittenden, Vermont, USA{ XE "USA, Vermont, Chittenden, Hinesburg:(44.3292° N, 73.1107° W):Sears, Harriet (1798-1847)" \f "Place" }. She was the daughter of John Sears{ XE "Sears:John (1773-1852)" \f "Name" \i } (5) and Betsy Chapman{ XE "Chapman:Betsy (1778-1842)" \f "Name" \i } (6).

Harriet died in Hinesburg{ XE "USA, Vermont, Chittenden, Hinesburg:(44.3292° N, 73.1107° W):Sears, Harriet (1798-1847)" \f "Place" } on 22nd November 1847, at the age of 49.

!S.P. May No 1907 p.304 "Both good Methodists"

<https://www.wikitree.com/wiki/Sears-6107>

79. At the age of 16, Harriet married **Harvey Vidatoe**{ XE "Vidatoe:Harvey (1796-1880)" \f "Name" \b \i } on Sunday, 1st January 1815, in Hinesburg{ XE "USA, Vermont, Chittenden, Hinesburg:(44.3292° N, 73.1107° W):Sears, Harriet (1798-1847)" \f "Place" } when he was 18 years old.^[115] They had twelve children: Cornelia (1816-1865), Melinda (1818-1820), Clarinda (1821-1842), Jane (1823-1844), Harvey

¹¹⁵ Ancestry.com, Vermont, Vital Records, 1720-1908 (Provo, UT, USA, Ancestry.com Operations, Inc., 2013), Ancestry.com, Record for Cornelia Vidatoe. <http://search.ancestry.com/cgi-bin/sse.dll?db=4661&h=624451&indiv=try>. [Source citation includes one media item]

(1825–1857), Lucius (1827–1828), Laura (1827–1845), Huldah (1828–1832), Byron (1831–1832), Welcome (1833–1849), Phila (1836–) and Elida (1838–1853).

Harvey was born in Cambridge, Washington, New York, { XE "USA, New York, Washington, Cambridge:(43.0281° N, 73.3812° W):Vidatoe, Harvey (1796–1880)" \f "Place" } on Saturday, 16th July 1796. He was the son of James Vidatoe { XE "Vidatoe:James (1740–1831)" \f "Name" \i } and Sarah --Vidatoe { XE "--Vidatoe:Sarah" \f "Name" \i }.

Harvey reached 84 years of age and died in Starksboro, Addison, Vermont, { XE "USA, Vermont, Addison, Starksboro:(44.2272° N, 73.0578° W):Vidatoe, Harvey (1796–1880)" \f "Place" } on 25th November 1880.

!S.P. May p.304 Was a carpenter

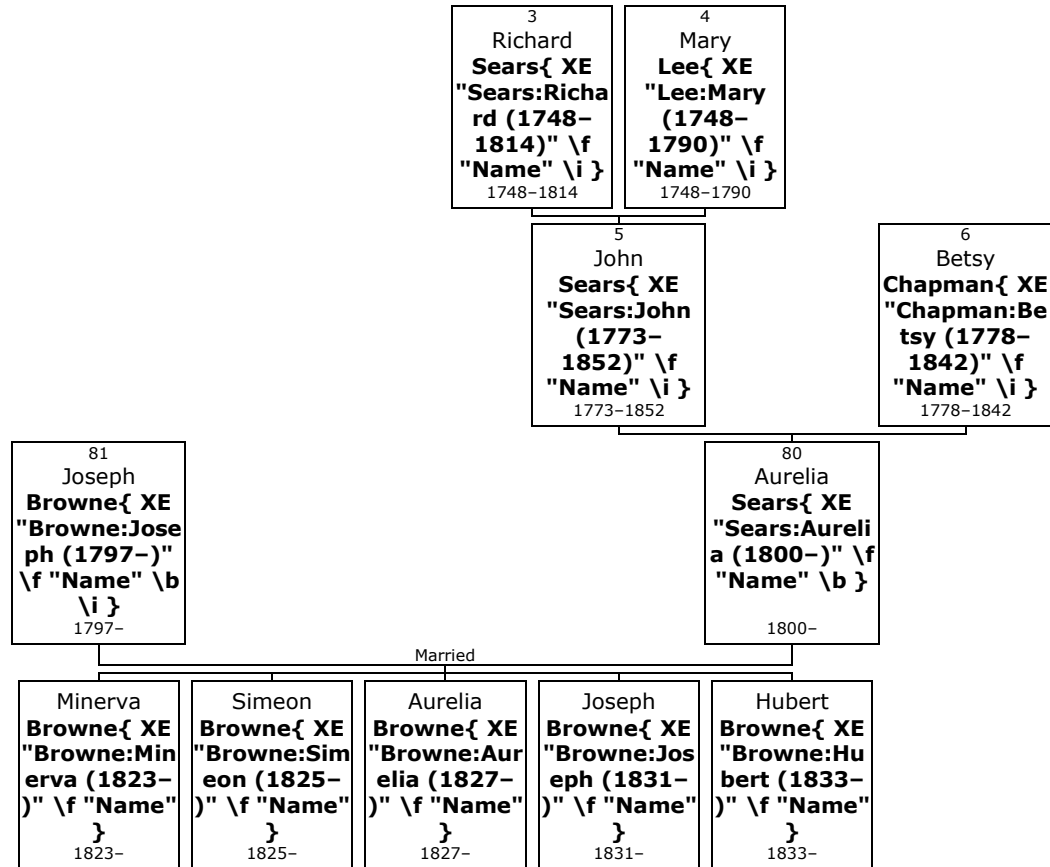
Children of Harriet Sears and Harvey Vidatoe:

- f I. **Cornelia⁶ Vidatoe** { XE "Vidatoe:Cornelia (1816–1865)" \f "Name" \b } was born in perh, Hinesburg, { XE "USA, Vermont, Chittenden, Hinesburg, perh: :Vidatoe, Cornelia (1816–1865)" \f "Place" } on 1st October 1816.^[115] She died at Age: 45 in Hinesburg { XE "USA, Vermont, Chittenden, Hinesburg:(44.3292° N, 73.1107° W):Vidatoe, Cornelia (1816–1865)" \f "Place" } on 12th March 1865, at the age of 48.^[115]
- Cornelia married **Prentiss Waldo** { XE "Waldo:Prentiss (1812–)" \f "Name" \b \i } on Friday, 8th November 1839. They had one son: Lucius (1841–).
- Prentiss was born in Moriah, Essex, New York, { XE "USA, New York, Essex, Moriah:(44.0461° N, 73.5056° W):Waldo, Prentiss (1812–)" \f "Place" } in 1812.
- !S P May p.304 Was a blacksmith and farmer, and a prominent man in Meth Ch
- f II. **Melinda Vidito** { XE "Vidito:Melinda (1818–1820)" \f "Name" \b } was born on 8th March 1818. She died on 17th July 1820, at the age of 2.
- f III. **Clarinda Vidito** { XE "Vidito:Clarinda (1821–1842)" \f "Name" \b } was born in Hinesburg { XE "USA, Vermont, Chittenden, Hinesburg:(44.3292° N, 73.1107° W):Vidito, Clarinda (1821–1842)" \f "Place" } on 22nd January 1821.^[116] She died on 7th August 1842, at the age of 21.^[116]
- Clarinda Vidito married **Chester Wells** { XE "Wells:Chester (1817–)" \f "Name" \b \i } on Thursday, 18th February 1841, in Williston { XE "USA, Vermont, Chittenden, Williston:(44.4376° N, 73.0682° W):Vidito, Clarinda (1821–1842)" \f "Place" }.^[116] They had one daughter: Harriet (1842–).
- Chester was born in Williston { XE "USA, Vermont, Chittenden, Williston:(44.4376° N, 73.0682° W):Wells, Chester (1817–)" \f "Place" } in 1817.
- !S.P. May p.304 A farmer
- f IV. **Jane Vidito** { XE "Vidito:Jane (1823–1844)" \f "Name" \b } was born on 14th March 1823. She died in Williston { XE "USA, Vermont, Chittenden, Williston:(44.4376° N, 73.0682° W):Vidito, Jane (1823–1844)" \f "Place" } on 18th May 1844, at the age of 21.
- m V. **Harvey Vidito** { XE "Vidito:Harvey (1825–1857)" \f "Name" \b } was born on 14th April 1825. He died in San Francisco, California, { XE "USA, California, San Francisco:(37.7933° N, 122.5548° W):Vidito, Harvey (1825–1857)" \f "Place" } on 17th October 1857, at the age of 32.
- m VI. **Lucius Sears** { XE "Sears:Lucius (1827–1828)" \f "Name" \b } was born on 1st February 1827. He died on 27th September 1828, at the age of 1.
- f VII. **Laura Vidito** { XE "Vidito:Laura (1827–1845)" \f "Name" \b } was born on 1st February 1827. She died in Williston { XE "USA, Vermont, Chittenden, Williston:(44.4376° N, 73.0682° W):Vidito, Laura (1827–1845)" \f "Place" } on 22nd May 1845, at the age of 18.
- f VIII. **Huldah Vidito** { XE "Vidito:Huldah (1828–1832)" \f "Name" \b } was born on 28th December 1828. She died on 18th March 1832, at the age of 3.

¹¹⁶ FamilySearch.org, FamilySearch Family Tree, FamilySearch, "Family Tree," database, <i>FamilySearch</i> (<http://familysearch.org> : modified 14 May 2016, 00:48), entry for Clarinda Vidito(PID <https://familysearch.org/ark:/61903/4:1:K4Y5-D4Y>); contributed by various users. PersonID K4Y5-D4Y. Clarinda Vidito. <https://familysearch.org/ark:/61903/4:1:K4Y5-D4Y>.

- m IX. **Byron Vidito**{ XE "Vidito:Byron (1831–1832)" \f "Name" \b } was born on 19th March 1831. He died on 19th March 1832, at the age of 1.
- f X. **Welcome Vidito**{ XE "Vidito:Welcome (1833–1849)" \f "Name" \b } was born on 12th September 1833. She died on 4th July 1849, at the age of 15.
- f XI. **Phila Vidito**{ XE "Vidito:Phila (1836–)" \f "Name" \b } was born on 18th April 1836. At the age of 26, Phila Vidito married **Alfred W Bostwick**{ XE "Bostwick:Alfred W (1815–1883)" \f "Name" \b \i } on Thursday, 13th November 1862, when he was 47 years old. They had no known children. Alfred W was born in Hinesburg{ XE "USA, Vermont, Chittenden, Hinesburg:(44.3292° N, 73.1107° W):Bostwick, Alfred W (1815–1883)" \f "Place" } on Tuesday, 15th August 1815. He reached 67 years of age and died in Starksboro, Addison,{ XE "USA, Vermont, Addison, Starksboro:(44.2272° N, 73.0578° W):Bostwick, Alfred W (1815–1883)" \f "Place" } on 11th March 1883. D.S.P.
- f XII. **Elida Vidito**{ XE "Vidito:Elida (1838–1853)" \f "Name" \b } was born on 2nd March 1838. She died on 5th August 1853, at the age of 15.

Family of Aurelia Sears and Joseph Browne{ TC "Aurelia Sears and Joseph Browne" \I 3 \f C}



80. Aurelia⁵ Sears{ XE "Sears:Aurelia (1800–)" \f "Name" \b } (*John⁴, Sergt Richard³, Silas²*) was born in 1800 in Hinesburg, Chittenden, Vermont, USA{ XE "USA, Vermont, Chittenden, Hinesburg:(44.3292° N, 73.1107° W):Sears, Aurelia (1800–)" \f "Place" }. She was the daughter of John Sears{ XE "Sears:John (1773–1852)" \f "Name" \i } (5) and Betsy Chapman{ XE "Chapman:Betsy (1778–1842)" \f "Name" \i } (6).

Aurelia died in Dickinson, Broome, New York{ XE "USA, New York, Broome, Dickinson:(42.129° N, 75.9086° W):Sears, Aurelia (1800–)" \f "Place" }.

!S P May No 1908

!Mayflower Index, Vol III, 1960 #69,122; parents 69,158

<https://www.wikitree.com/wiki/Sears-6108>

81. She married **Joseph Browne**{ XE "Browne:Joseph (1797-)" \f "Name" \b \i }. They had five children: Minerva (1823-), Simeon (1825-), Aurelia (1827-), Joseph (1831-) and Hubert (1833-).

Joseph was born in Canada{ XE "Canada: :Browne, Joseph (1797-)" \f "Place" } in 1797.

!S.P. May p.304 Lived in Charlotte, VT

Children of Aurelia Sears and Joseph Browne:

f I. **Minerva⁶ Browne**{ XE "Browne:Minerva (1823-)" \f "Name" \b } was born in perh, Hinesburg, Chittenden, Vermont, USA,{ XE "USA, Vermont, Chittenden, Hinesburg, perh: :Browne, Minerva (1823-)" \f "Place" } on 27th July 1823.^[117] She was also known as **Minerva B. Bell**{ XE "Bell:Minerva B. (Minerva Browne) (1823-)" \f "Name" }.^[117]

More facts and events for Minerva Browne:

Residence: 1880 Sparta{ XE "USA, Wisconsin, Monroe, Sparta:(43.9441° N, 90.8129° W):Browne, Minerva (1823-)" \f "Place" }^[117]
StreetAddress: Myrtle Street; Age: 56; Occupation: Keeping House; EnumerationDistrict: 028; MaritalStatus: Married; RelationToHead: Wife

Minerva married **Thomas Bell**{ XE "Bell:Thomas (1820-)" \f "Name" \b \i } on Saturday, 15th January 1848, in Williston, Chittenden, Vermont{ XE "USA, Vermont, Chittenden, Williston:(44.4376° N, 73.0682° W):Browne, Minerva (1823-)" \f "Place" }.^[117] They had six children: Thomas (1849-), Joseph (1850-), Benjamin (1851-), Nellie (1854-), John (1861-) and Aurelia (1866-).

Thomas was born in Ottawa, Ontario, Canada,{ XE "Canada, Ontario, Ottawa:(45.4218° N, 75.6912° W):Bell, Thomas (1820-)" \f "Place" } in 1820.^[117]

m II. **Simeon Browne**{ XE "Browne:Simeon (1825-)" \f "Name" \b } was born in perh{ XE "USA, Vermont, Chittenden, Hinesburg, perh: :Browne, Simeon (1825-)" \f "Place" } in 1825.

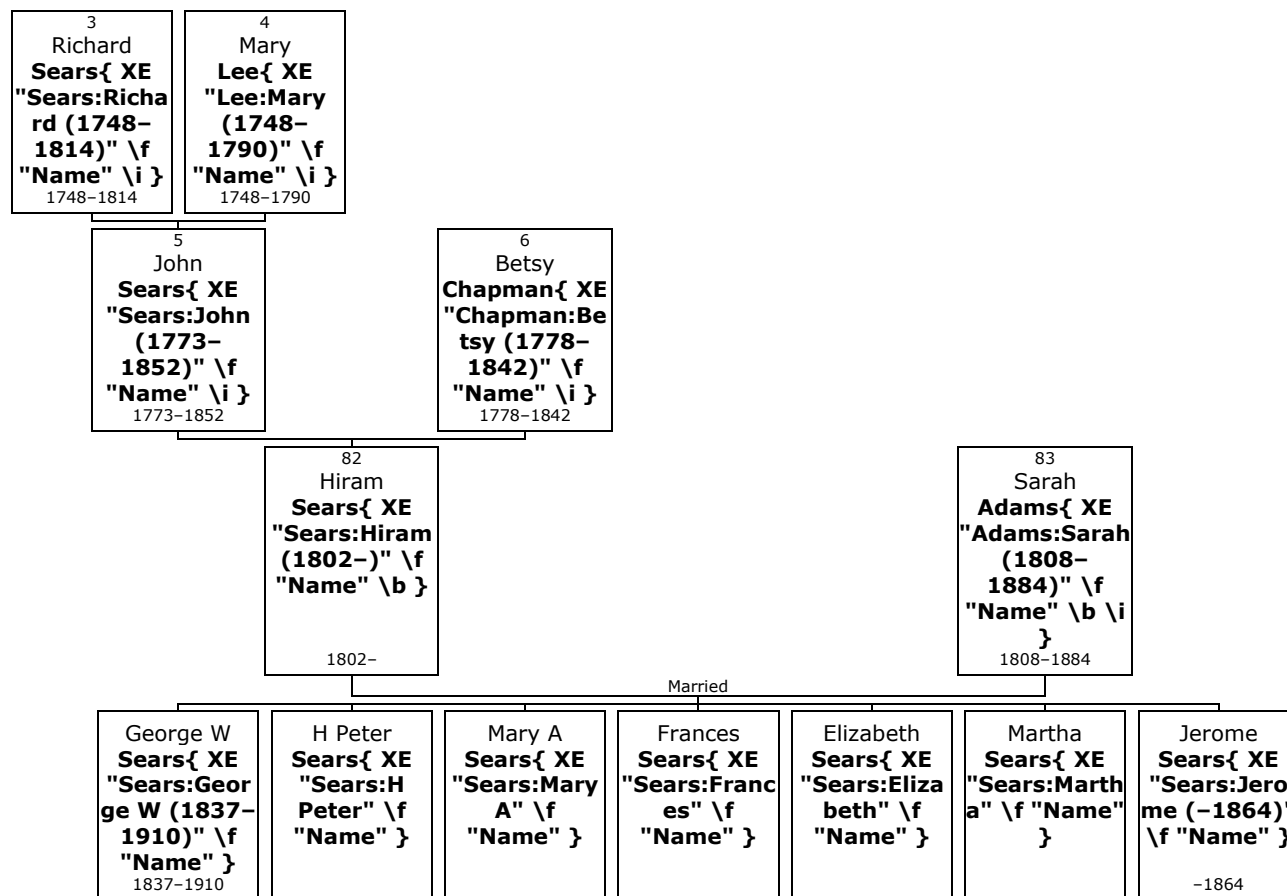
f III. **Aurelia Browne**{ XE "Browne:Aurelia (1827-)" \f "Name" \b } was born in perh{ XE "USA, Vermont, Chittenden, Hinesburg, perh: :Browne, Aurelia (1827-)" \f "Place" } in 1827.

m IV. **Joseph Browne**{ XE "Browne:Joseph (1831-)" \f "Name" \b } was born in perh{ XE "USA, Vermont, Chittenden, Hinesburg, perh: :Browne, Joseph (1831-)" \f "Place" } in 1831.

m V. **Hubert Browne**{ XE "Browne:Hubert (1833-)" \f "Name" \b } was born in perh{ XE "USA, Vermont, Chittenden, Hinesburg, perh: :Browne, Hubert (1833-)" \f "Place" } in 1833.

¹¹⁷ Ancestry.com and The Church of Jesus Christ of Latter-day Saints, 1880 United States Federal Census (Provo, UT, USA, Ancestry.com Operations Inc, 2010), Ancestry.com, Year: 1880; Census Place: Sparta, Monroe, Wisconsin; Roll: 1439; Page: 70A; Enumeration District: 028. Record for M. B. Bell.
<http://search.ancestry.com/cgi-bin/sse.dll?db=6742&h=28816378&indiv=try>.

Family of Hiram Sears and Sarah Adams{ TC "Hiram Sears and Sarah Adams" \I 3 \f C}



82. **Hiram⁵ Sears**{ XE "Sears:Hiram (1802-)" \f "Name" \b } (*John⁴, Sergt Richard³, Silas²*) was born in 1802 in Hinesburg, Chittenden, Vermont, USA{ XE "USA, Vermont, Chittenden, Hinesburg:(44.3292° N, 73.1107° W):Sears, Hiram (1802-)" \f "Place" }.^[118] He was the son of John Sears{ XE "Sears:John (1773-1852)" \f "Name" \i } (5) and Betsy Chapman{ XE "Chapman:Betsy (1778-1842)" \f "Name" \i } (6).

Hiram died in Washington, New York{ XE "USA, New York, Washington:(43.3201° N, 73.4306° W):Sears, Hiram (1802-)" \f "Place" }.

!S.P. May p.455, No 1909- Was a cordwainer

<https://www.wikitree.com/wiki/Sears-6109>

More facts and events for Hiram Sears:

Residence: 1830 Charlotte, Chittenden, Vermont{ XE "USA, Vermont, Chittenden, Charlotte:(44.3097° N, 73.2614° W):Sears, Hiram (1802-)" \f "Place" }^[118]

83. He married **Sarah Adams**{ XE "Adams:Sarah (1808-1884)" \f "Name" \b \i }.^[119] They had seven children: George (1837-1910), H, Mary, Frances, Elizabeth, Martha and Jerome (-1864).

Sarah was born in Vermont{ XE "USA, Vermont:(43.8726° N, 71.55° W):Adams, Sarah (1808-1884)" \f "Place" } on Friday, 2nd December 1808.^[119] She reached 75 years of age and died in Elgin, Kane, Illinois,{ XE "USA, Illinois, Kane, Elgin:(42.0373° N, 88.2812° W):Adams, Sarah (1808-1884)" \f "Place" } in

¹¹⁸ Ancestry.com, 1830 United States Federal Census (Provo, UT, USA, Ancestry.com Operations, Inc., 2010), Ancestry.com, 1830; Census Place: Charlotte, Chittenden, Vermont; Series: M19; Roll: 186; Page: 337; Family History Library Film: 0027452.
[Source citation includes one media item]

¹¹⁹ Ancestry.com, U.S., Find A Grave Index, 1600s-Current (Provo, UT, USA, Ancestry.com Operations, Inc., 2012), Ancestry.com.

1884.^[119] Sarah was buried in Elgin, Cook{ XE "USA, Illinois, Cook, Elgin:(42.0333° N, 88.2508° W):Adams, Sarah (1808–1884)" \f "Place" }.^[119]

Children of Hiram Sears and Sarah Adams:

- m I. **George W⁶ Sears**{ XE "Sears:George W (1837–1910)" \f "Name" \b } was born in Vergennes, Addison, Vermont,{ XE "USA, Vermont, Addison, Vergennes:(44.1673° N, 73.254° W):Sears, George W (1837–1910)" \f "Place" } on 10th March 1837.^[119, 120, 121, 122, 123, 124, 125, 126–127] He served in the military in Greenwich, Washington, New York,{ XE "USA, New York, Washington, Greenwich:(43.0906° N, 73.4987° W):Sears, George W (1837–1910)" \f "Place" } on 9th August 1862.^[120] George W died in Elgin{ XE "USA, Illinois, Kane, Elgin:(42.0373° N, 88.2812° W):Sears, George W (1837–1910)" \f "Place" } on 19th December 1910, at the age of 73.^[119] He was buried in Elgin, Cook{ XE "USA, Illinois, Cook, Elgin:(42.0333° N, 88.2508° W):Sears, George W (1837–1910)" \f "Place" }.^[119]



George

More facts and events for George W Sears:

- Residence: 1880 Elgin, Kane{ XE "USA, Illinois, Kane, Elgin:(42.0373° N, 88.2812° W):Sears, George W (1837–1910)" \f "Place" }^[123]
 Marital Status: Married; Relation to Head: Self
- Residence: 1900 Ward 3, Elgin{ XE "USA, Illinois, Kane, Elgin, Ward 3: :Sears, George W (1837–1910)" \f "Place" }^[124]
 Marital Status: Married; Relation to Head: Head
- Residence: 1901 Milwaukee, Milwaukee, Wisconsin{ XE "USA, Wisconsin, Milwaukee, Milwaukee:(43.0389° N, 87.9065° W):Sears, George W (1837–1910)" \f "Place" }^[121]
- Residence: 1910 Ward 2, Elgin, Kane, Illinois{ XE "USA, Illinois, Kane, Elgin, Ward 2: :Sears, George W (1837–1910)" \f "Place" }^[122]
 Marital Status: Married; Relation to Head of House: Head
- Residence: Marital Status: Single/East Greenwich, United States^[120]

¹²⁰ Ancestry.com, New York, Town Clerks' Registers of Men Who Served in the Civil War, ca 1861-1865 (Provo, UT, USA, Ancestry.com Operations, Inc., 2011), Ancestry.com, New York State Archives; Albany, New York; Town Clerks' Registers of Men Who Served in the Civil War, ca 1861-1865; Collection Number: (N-Ar)13774; Box Number: 66; Roll Number: 36.

¹²¹ Ancestry.com, U.S. National Homes for Disabled Volunteer Soldiers, 1866-1938 (Provo, UT, USA, Ancestry.com Operations Inc, 2007), Ancestry.com.

¹²² Ancestry.com, 1910 United States Federal Census (Provo, UT, USA, Ancestry.com Operations Inc, 2006), Ancestry.com, Year: 1910; Census Place: Elgin Ward 2, Kane, Illinois; Roll: T624_297; Page: 3B; Enumeration District: 0064; FHL microfilm: 1374310.

¹²³ Ancestry.com and The Church of Jesus Christ of Latter-day Saints, 1880 United States Federal Census (Provo, UT, USA, Ancestry.com Operations Inc, 2010), Ancestry.com, Year: 1880; Census Place: Elgin, Kane, Illinois; Roll: 218; Family History Film: 1254218; Page: 343D; Enumeration District: 086.

¹²⁴ Ancestry.com, 1900 United States Federal Census (Provo, UT, USA, Ancestry.com Operations Inc, 2004), Ancestry.com, Year: 1900; Census Place: Elgin Ward 3, Kane, Illinois; Roll: 311; Page: 1A; Enumeration District: 0097; FHL microfilm: 1240311.

¹²⁵ Ancestry.com, Illinois, Marriage Index, 1860-1920 (Provo, UT, USA, Ancestry.com Operations, Inc., 2015), Ancestry.com.

¹²⁶ Ancestry.com, New York, County Marriages, 1847-1849; 1907-1936 (Lehi, UT, USA, Ancestry.com Operations, Inc., 2016), Ancestry.com.

¹²⁷ Ancestry.com, Michigan, Marriage Records, 1867-1952 (Provo, UT, USA, Ancestry.com Operations, Inc., 2015), Ancestry.com.

At the age of 30, George W married **Martha Ellen Wood**{ XE "Wood:Martha Ellen (1843-1914)" \f "Name" \b \i } on Wednesday, 18th September 1867, in McHenry{ XE "USA, Illinois, McHenry:(42.3243° N, 88.4519° W):Sears, George W (1837-1910)" \f "Place" } when she was 24 years old.^[119, 122-127] They had eight children: Linnie (1868-1922), George (1870-), Sarah (1872-), Cora (1875-), Libbie (1877-), Jerome (1880-1883), Frances Hattie (1882-1945) and Lydia (1884-1889).

Martha Ellen was born in Marengo, McHenry,{ XE "USA, Illinois, McHenry, Marengo:(42.2486° N, 88.6084° W):Wood, Martha Ellen (1843-1914)" \f "Place" } on Saturday, 19th August 1843.^[119, 122-124] She was the daughter of Edson George Wood{ XE "Wood:Edson George" \f "Name" \i } and Celinda Chapin{ XE "Chapin:Celinda" \f "Name" \i }.

Martha Ellen reached 71 years of age and died in Rockford, Winnebago,{ XE "USA, Illinois, Winnebago, Rockford:(42.2711° N, 89.094° W):Wood, Martha Ellen (1843-1914)" \f "Place" } on 19th August 1914.^[119] She was buried in Elgin, Cook{ XE "USA, Illinois, Cook, Elgin:(42.0333° N, 88.2508° W):Wood, Martha Ellen (1843-1914)" \f "Place" }.^[119]

<http://trees.ancestry.com/owt/person.aspx?pid=20160742> From: "RICHARD BAKER" <jodiba@worldnet.att.net> To: "Ray Sears" <lrsears@Capecod.net> Subject: Re: Synopsis Form Date: Fri, 11 Feb 2000 20:57:21 -0000 Ray - I have observed your generous offer to detail Sears links to Mayflower ancestors on both the Sears-L list and on the Mayflower-L list. My Sears ancestry is as follows: Richard SEARS m. Dorothy JONES Silas SEARS m. Anna BURSELL Joseph SEARS m. Hannah HALL Silas SEARS m. Deborah BUCK Richard SEARS m. Mary LEE John SEARS m. Betsy CHAPMAN Hiram SEARS m. Sarah ADAMS George W. SEARS m. Martha WOOD Harriet SEARS m. Charles Milton COVERT I realize that it is a lot of work to do this. Thank you so much for your help as you have an opportunity. My husband submitted his synopsis to the Mayflower Society in early December and has not yet heard anything from them. Joanne COVERT Baker

m II. **H Peter Sears**{ XE "Sears:H Peter" \f "Name" \b }.

f III. **Mary A Sears**{ XE "Sears:Mary A" \f "Name" \b }.

Mary A married **(unknown given name) Clarke**{ XE "Clarke:(unknown given name)" \f "Name" \b \i }.

f IV. **Frances Sears**{ XE "Sears:Frances" \f "Name" \b }.

Frances married **(unknown given name) Davenport**{ XE "Davenport:(unknown given name)" \f "Name" \b \i }.

f V. **Elizabeth Sears**{ XE "Sears:Elizabeth" \f "Name" \b }.

Elizabeth married **(unknown given name) Knott**{ XE "Knott:(unknown given name)" \f "Name" \b \i }.

f VI. **Martha Sears**{ XE "Sears:Martha" \f "Name" \b }.

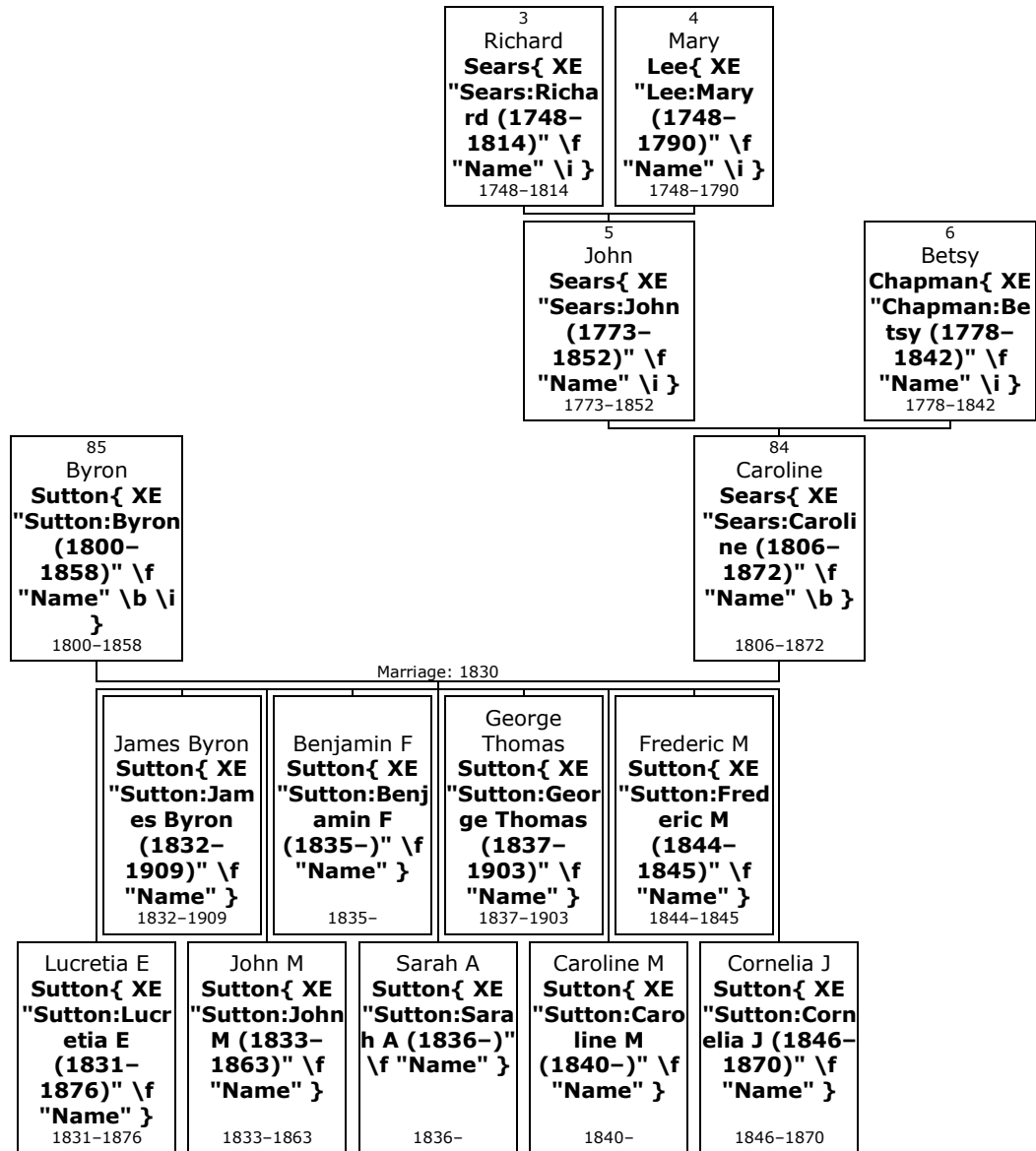
Martha married **(unknown given name) Hay**{ XE "Hay:(unknown given name)" \f "Name" \b \i }.

m VII. **Jerome Sears**{ XE "Sears:Jerome (-1864)" \f "Name" \b }. Jerome died on 21st August 1864.



Jerome

Family of Caroline Sears and Byron Sutton{ TC "Caroline Sears and Byron Sutton" \I 3 \f C}



- 84. Caroline⁵ Sears**{ XE "Sears:Caroline (1806-1872)" \f "Name" \b \i } (*John⁴, Sergt Richard³, Silas²*) was born on Tuesday, 21st October 1806, in Charlotte, Chittenden, Vermont, USA{ XE "USA, Vermont, Chittenden, Charlotte:(44.3097° N, 73.2614° W):Sears, Caroline (1806-1872)" \f "Place" \i }.^[128, 129, 130-131] She was the daughter of John Sears{ XE "Sears:John (1773-1852)" \f "Name" \i } (5) and Betsy Chapman{ XE "Chapman:Betsy (1778-1842)" \f "Name" \i } (6).

Caroline died in Charlotte{ XE "USA, Vermont, Chittenden, Charlotte:(44.3097° N, 73.2614° W):Sears, Caroline (1806-1872)" \f "Place" \i } on 13th January 1872, at the age of 65.^[128] She was buried in

¹²⁸ Ancestry.com, U.S., Find A Grave Index, 1600s-Current (Provo, UT, USA, Ancestry.com Operations, Inc., 2012), Record for Rev George Thomas Sutton. <http://search.ancestry.com/cgi-bin/sse.dll?db=60525&h=19256649&indiv=try>.

¹²⁹ Ancestry.com, Vermont, Vital Records, 1720-1908 (Provo, UT, USA, Ancestry.com Operations, Inc., 2013), Ancestry.com, Record for George T Sutton. <http://search.ancestry.com/cgi-bin/sse.dll?db=4661&h=1203282&indiv=try>. [Source citation includes one media item]

¹³⁰ Ancestry.com, Vermont, Vital Records, 1720-1908 (Provo, UT, USA, Ancestry.com Operations, Inc., 2013), Ancestry.com, Record for James B Sutton. <http://search.ancestry.com/cgi-bin/sse.dll?db=4661&h=698099&indiv=try>. [Source citation includes one media item]

¹³¹ Ancestry.com, Vermont, Vital Records, 1720-1908 (Provo, UT, USA, Ancestry.com Operations, Inc., 2013), Ancestry.com, Record for Lucretia E Sutton. <http://search.ancestry.com/cgi-bin/sse.dll?db=4661&h=1203328&indiv=try>. [Source citation includes one media item]

Shelburne{ XE "USA, Vermont, Chittenden, Shelburne:(44.3806° N, 73.2276° W):Sears, Caroline (1806–1872)" \f "Place" }.^[128]

S P May No 1910

- 85.** At the age of 23, Caroline married **Byron Sutton**{ XE "Sutton:Byron (1800–1858)" \f "Name" \b \i } on Thursday, 15th July 1830, in Hinesburg{ XE "USA, Vermont, Chittenden, Hinesburg:(44.3292° N, 73.1107° W):Sears, Caroline (1806–1872)" \f "Place" } when he was 30 years old.^[128–132] They had nine children: Lucretia (1831–1876), James (1832–1909), John (1833–1863), Benjamin (1835–), Sarah (1836–), George (1837–1903), Caroline (1840–), Frederic (1844–1845) and Cornelia (1846–1870).

Byron was born in Shelburne{ XE "USA, Vermont, Chittenden, Shelburne:(44.3806° N, 73.2276° W):Sutton, Byron (1800–1858)" \f "Place" } on Tuesday, 6th May 1800. He reached 57 years of age and died on 9th February 1858.^[128] Byron was buried in Shelburne{ XE "USA, Vermont, Chittenden, Shelburne:(44.3806° N, 73.2276° W):Sutton, Byron (1800–1858)" \f "Place" }.^[128]

Children of Caroline Sears and Byron Sutton:

- f I. **Lucretia E⁶ Sutton**{ XE "Sutton:Lucretia E (1831–1876)" \f "Name" \b } was born in perh, Hinesburg,{ XE "USA, Vermont, Chittenden, Hinesburg, perh: :Sutton, Lucretia E (1831–1876)" \f "Place" } on 17th May 1831.^[131] She died on 5th October 1876, at the age of 45.^[131]
- At the age of 21, Lucretia E married **Nathaniel G Norton**{ XE "Norton:Nathaniel G (1831–)" \f "Name" \b \i } on Thursday, 27th May 1852, when he was 21 years old. They had nine children: Emma (1852–1856), Ella (1854–1864), John (1856–), Eugene (1859–), Lila (1861–1863), Imogene (1865–1865), Arthur (1867–), (unknown given name) (1869–1869) and May (1871–).
- Nathaniel G was born in Hinesburg{ XE "USA, Vermont, Chittenden, Hinesburg:(44.3292° N, 73.1107° W):Norton, Nathaniel G (1831–)" \f "Place" } on Thursday, 3rd February 1831.
- !S P May p.305 Lives Vergennes, VT; is proprietor "Island Mills"
- m II. **James Byron Sutton**{ XE "Sutton:James Byron (1832–1909)" \f "Name" \b } was born in Shelburne{ XE "USA, Vermont, Chittenden, Shelburne:(44.3806° N, 73.2276° W):Sutton, James Byron (1832–1909)" \f "Place" } on 10th September 1832.^[130] He died in Shelburne{ XE "USA, Vermont, Chittenden, Shelburne:(44.3806° N, 73.2276° W):Sutton, James Byron (1832–1909)" \f "Place" } on 12th May 1909, at the age of 76.
- James Byron Sutton married **Abbie M Slocumb**{ XE "Slocumb:Abbie M (1840–)" \f "Name" \b \i } on Wednesday, 16th June 1858, in Burlington{ XE "USA, Vermont, Chittenden, Burlington:(44.4759° N, 73.2121° W):Sutton, James Byron (1832–1909)" \f "Place" }.^[130] They had five children: George (1859–), Emma (1862–), Walter (1864–), Benjamin (1868–) and Fannie (1874–).
- Abbie M was born in 1840.^[130]
- m III. **John M Sutton**{ XE "Sutton:John M (1833–1863)" \f "Name" \b } was born in perh, Hinesburg,{ XE "USA, Vermont, Chittenden, Hinesburg, perh: :Sutton, John M (1833–1863)" \f "Place" } on 22nd December 1833. He died on 25th April 1863, at the age of 29. Union Army.
- m IV. **Benjamin F Sutton**{ XE "Sutton:Benjamin F (1835–)" \f "Name" \b } was born in perh{ XE "USA, Vermont, Chittenden, Hinesburg, perh: :Sutton, Benjamin F (1835–)" \f "Place" } on 10th August 1835.
- Benjamin F Sutton married **Fannie E Smith**{ XE "Smith:Fannie E" \f "Name" \b \i } on Monday, 19th November 1860. They had one daughter: Lucia (1862–). She was the daughter of Luman B Smith{ XE "Smith:Luman B" \f "Name" \i }.
- f V. **Sarah A Sutton**{ XE "Sutton:Sarah A (1836–)" \f "Name" \b } was born in perh{ XE "USA, Vermont, Chittenden, Hinesburg, perh: :Sutton, Sarah A (1836–)" \f "Place" } on 8th November 1836.

¹³² Ancestry.com, Vermont, Vital Records, 1720-1908 (Provo, UT, USA, Ancestry.com Operations, Inc., 2013), Ancestry.com, Record for Caroline M Sutton. <http://search.ancestry.com/cgi-bin/sse.dll?db=4661&h=698040&indiv=try>. [Source citation includes one media item]

Sarah A married **Nathaniel G Norton**{ XE "Norton:Nathaniel G (1831-)" \f "Name" \b \i } in 1878. They had no known children.

Nathaniel G was born in Hinesburg{ XE "USA, Vermont, Chittenden, Hinesburg:(44.3292° N, 73.1107° W):Norton, Nathaniel G (1831-)" \f "Place" } on Thursday, 3rd February 1831.

- m VI. **George Thomas Sutton**{ XE "Sutton:George Thomas (1837-1903)" \f "Name" \b } was born in perh{ XE "USA, Vermont, Chittenden, Hinesburg, perh: :Sutton, George Thomas (1837-1903)" \f "Place" } on 25th November 1837.^[128, 129] He was known by the title of Rev.

George Thomas died on 9th December 1903, at the age of 66.^[128] He was buried in Middlebury, Addison{ XE "USA, Vermont, Addison, Middlebury:(44.0153° N, 73.1673° W):Sutton, George Thomas (1837-1903)" \f "Place" }.^[128]

At the age of 25, Rev George Thomas Sutton married **Julia L Hubbard**{ XE "Hubbard:Julia L (1838-1890)" \f "Name" \b \i } on Tuesday, 24th February 1863, when she was 24 years old.^[128] They had seven children: James (1864-), Caroline (1865-1907), Mary (1867-), Cornelia (1871-1871), Cornelia (1872-), George (1879-) and Jessie (1881-).

Julia L was born in Greenwich, Washington, New York,{ XE "USA, New York, Washington, Greenwich:(43.0906° N, 73.4987° W):Hubbard, Julia L (1838-1890)" \f "Place" } on Friday, 20th April 1838.^[128] She reached 51 years of age and died in 1890.^[128] Julia L was buried in Middlebury, Addison, Vermont{ XE "USA, Vermont, Addison, Middlebury:(44.0153° N, 73.1673° W):Hubbard, Julia L (1838-1890)" \f "Place" }.^[128]

George Thomas married **Clara E Hendrickson**{ XE "Hendrickson:Clara E" \f "Name" \b \i }.

- f VII. **Caroline M Sutton**{ XE "Sutton:Caroline M (1840-)" \f "Name" \b } was born in Shelburne{ XE "USA, Vermont, Chittenden, Shelburne:(44.3806° N, 73.2276° W):Sutton, Caroline M (1840-)" \f "Place" } on 18th October 1840.^[132]

At the age of 20, Caroline M married **Abel Warren Jennison**{ XE "Jennison:Abel Warren (1839-)" \f "Name" \b \i } on Tuesday, 2nd July 1861, in Shelburne{ XE "USA, Vermont, Chittenden, Shelburne:(44.3806° N, 73.2276° W):Sutton, Caroline M (1840-)" \f "Place" } when he was 22 years old.^[132] They had four children: Alice (1862-), John (1865-), Jessie (1869-1870) and Sarah (1876-1877).

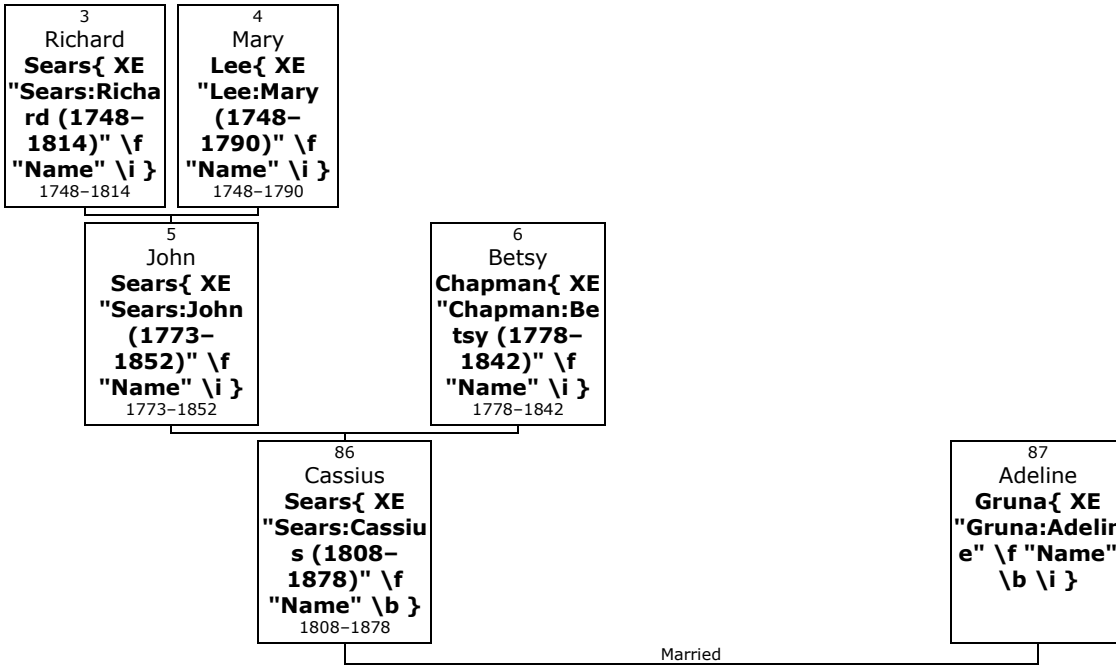
Abel Warren was born in St Lawrence, New York,{ XE "USA, New York, St Lawrence:(44.5785° N, 75.2597° W):Jennison, Abel Warren (1839-)" \f "Place" } on Friday, 22nd February 1839.

!S.P. May p.305 lives Janesville, MN

- m VIII. **Frederic M Sutton**{ XE "Sutton:Frederic M (1844-1845)" \f "Name" \b } was born in perh, Hinesburg,{ XE "USA, Vermont, Chittenden, Hinesburg, perh: :Sutton, Frederic M (1844-1845)" \f "Place" } on 28th February 1844. He died on 24th March 1845, at the age of 1.

- f IX. **Cornelia J Sutton**{ XE "Sutton:Cornelia J (1846-1870)" \f "Name" \b } was born in perh{ XE "USA, Vermont, Chittenden, Hinesburg, perh: :Sutton, Cornelia J (1846-1870)" \f "Place" } on 29th March 1846. She died on 28th December 1870, at the age of 24.

Family of Cassius Sears and Adeline Gruna{ TC "Cassius Sears and Adeline Gruna" \I 3 \f C}



86. **Cassius⁵ Sears**{ XE "Sears:Cassius (1808-1878)" \f "Name" \b } (*John⁴, Sergt Richard³, Silas²*) was born in 1808 in Charlotte, Chittenden, Vermont, USA{ XE "USA, Vermont, Chittenden, Charlotte:(44.3097° N, 73.2614° W):Sears, Cassius (1808-1878)" \f "Place" }. He was the son of John Sears{ XE "Sears:John (1773-1852)" \f "Name" \i } (5) and Betsy Chapman{ XE "Chapman:Betsy (1778-1842)" \f "Name" \i } (6).

Cassius died in 1878 at the age of 70.

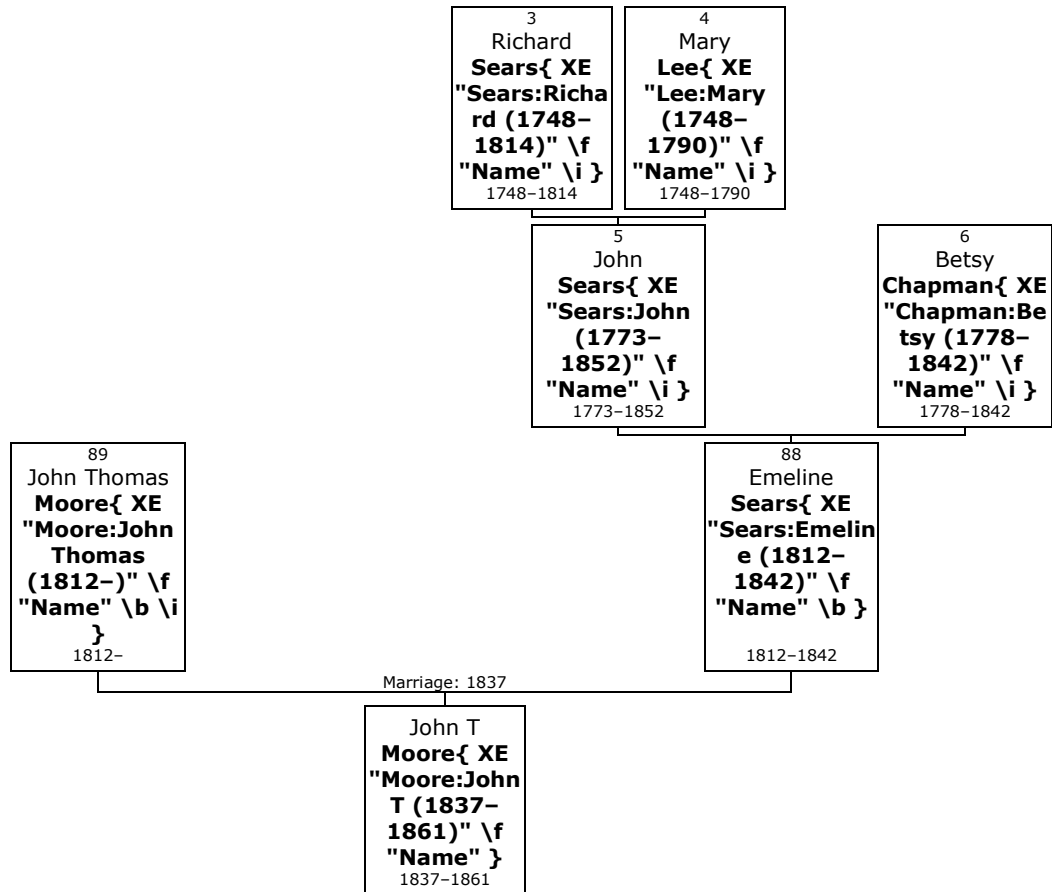
!S.P. May No 1911 p.305 Had a son, and were all lost at sea; was a machinist.

<https://www.wikitree.com/wiki/Sears-6110>

A Cassius C Sears appears in Civil War records

87. He married **Adeline Gruna**{ XE "Gruna:Adeline" \f "Name" \b \i }.

Family of Emeline Sears and John Moore{ TC "Emeline Sears and John Moore" \I 3 \f C}



- 88. Emeline⁵ Sears**{ XE "Sears:Emeline (1812-1842)" \f "Name" \b } (*John⁴, Sergt Richard³, Silas²*) was born in 1812 in Hinesburg, Chittenden, Vermont, USA{ XE "USA, Vermont, Chittenden, Hinesburg:(44.3292° N, 73.1107° W):Sears, Emeline (1812-1842)" \f "Place" }. She was the daughter of John Sears{ XE "Sears:John (1773-1852)" \f "Name" \i } (5) and Betsy Chapman{ XE "Chapman:Betsy (1778-1842)" \f "Name" \i } (6).

Emeline died in Monkton, Addison,{ XE "USA, Vermont, Addison, Monkton:(44.2201° N, 73.1254° W):Sears, Emeline (1812-1842)" \f "Place" } on 9th March 1842, at the age of 30.

S P May No 1913

<https://www.wikitree.com/wiki/Sears-6112>

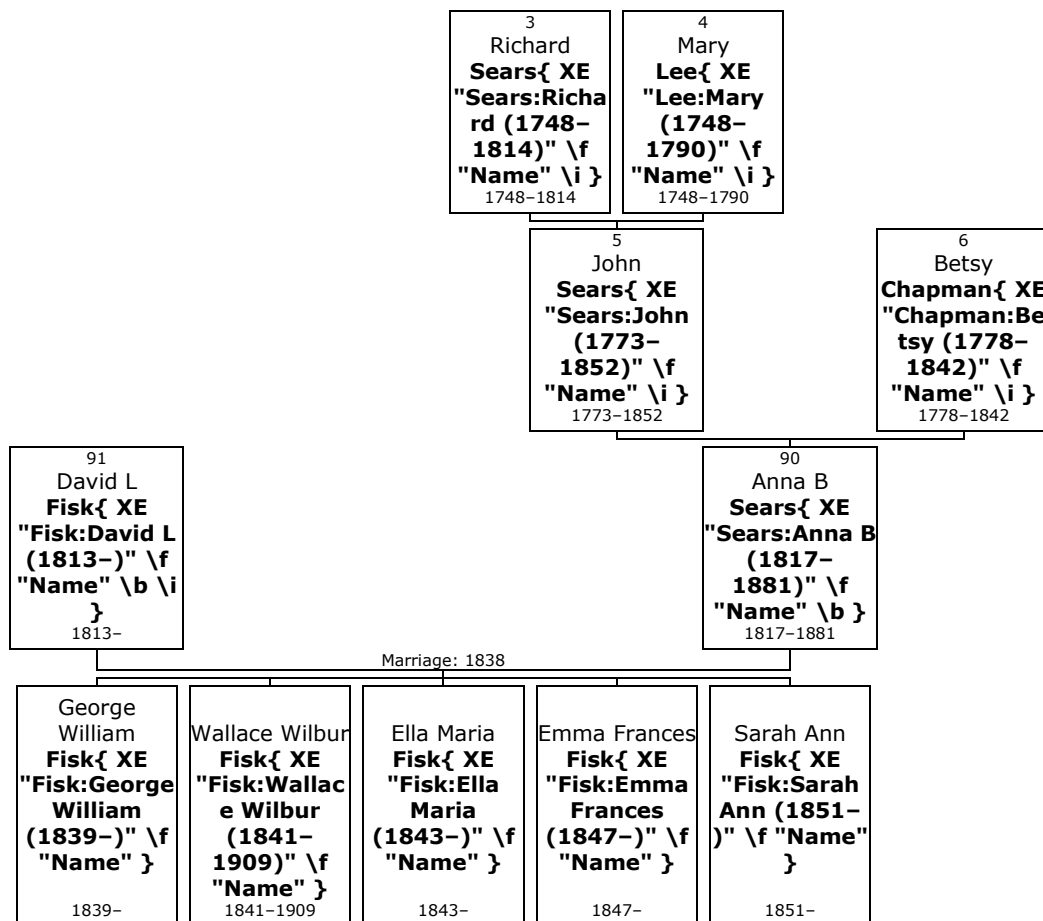
- 89.** Emeline married **John Thomas Moore**{ XE "Moore:John Thomas (1812-)" \f "Name" \b \i } in 1837. They had one son: John (1837-1861).

John Thomas was born in Ireland{ XE "Ireland:(53.1803° N, 8.1534° W):Moore, John Thomas (1812-)" \f "Place" } in 1812.

Son of Emeline Sears and John Thomas Moore:

- m I. **John T⁶ Moore**{ XE "Moore:John T (1837-1861)" \f "Name" \b } was born in perh, Hinesburg, Chittenden, Vermont, USA,{ XE "USA, Vermont, Chittenden, Hinesburg, perh: :Moore, John T (1837-1861)" \f "Place" } in 1837. He died on 4th March 1861, at the age of 24.

Family of Anna Sears and David Fisk{ TC "Anna Sears and David Fisk" \I 3 \f C}



90. Anna B⁵ Sears{ XE "Sears:Anna B (1817-1881)" \f "Name" \b } (*John⁴, Sergt Richard³, Silas²*) was born on Monday, 17th February 1817, in Hinesburg, Chittenden, Vermont, USA{ XE "USA, Vermont, Chittenden, Hinesburg:(44.3292° N, 73.1107° W):Sears, Anna B (1817-1881)" \f "Place" }. She was the daughter of John Sears{ XE "Sears:John (1773-1852)" \f "Name" \i } (5) and Betsy Chapman{ XE "Chapman:Betsy (1778-1842)" \f "Name" \i } (6).

Anna B died in Columbus, Franklin, Ohio,{ XE "USA, Ohio, Franklin, Columbus:(39.9612° N, 82.9988° W):Sears, Anna B (1817-1881)" \f "Place" } on 11th September 1881, at the age of 64.

!S.P. May No 1915 p.306 She was a teacher, and a devoted member of Meth. Epis. Ch.

<https://www.wikitree.com/wiki/Sears-6114>

91. Anna B married **David L Fisk**{ XE "Fisk:David L (1813-)" \f "Name" \b \i } on Wednesday, 8th August 1838.^[133] They had five children: George (1839-), Wallace (1841-1909), Ella (1843-), Emma (1847-) and Sarah (1851-).

David L was born in 1813. Dickinson, VT.

Children of Anna B Sears and David L Fisk:

- m I. **George William⁶ Fisk**{ XE "Fisk:George William (1839-)" \f "Name" \b } was born in perh, Hinesburg, Chittenden, Vermont,{ XE "USA, Vermont, Chittenden, Hinesburg, perh: :Fisk, George William (1839-)" \f "Place" } on 13th June 1839.
- m II. **Wallace Wilbur Fisk**{ XE "Fisk:Wallace Wilbur (1841-1909)" \f "Name" \b } was born in perh{ XE "USA, Vermont, Chittenden, Hinesburg, perh: :Fisk, Wallace Wilbur (1841-1909)" \f "Place" } on 20th January 1841.^[133] He died on 23rd December 1909, at the age

¹³³ Ancestry.com, Web: Columbus, Ohio, Green Lawn Cemetery Index, 1780-2010 (Provo, UT, USA, Ancestry.com Operations, Inc., 2012), Ancestry.com, Record for Wallace Fisk.
<http://search.ancestry.com/cgi-bin/sse.dll?db=70520&h=299141&indiv=try>.

of 68.^[133] Age: 68. Wallace Wilbur was buried in Columbus, Franklin, Ohio{ XE "USA, Ohio, Franklin, Columbus:(39.9612° N, 82.9988° W):Fisk, Wallace Wilbur (1841-1909)" \f "Place" }.^[133]

Wallace Wilbur married **Melissa D --Mason**{ XE "--Mason:Melissa D" \f "Name" \b \i }. They had three children: Desdemona (1874-), Jesse (1875-1877) and Pearly (1877-).

- f III. **Ella Maria Fisk**{ XE "Fisk:Ella Maria (1843-)" \f "Name" \b } was born in perh{ XE "USA, Vermont, Chittenden, Hinesburg, perh: :Fisk, Ella Maria (1843-)" \f "Place" } on 15th August 1843.

Ella Maria married **Jerome Jefferson Jones**{ XE "Jones:Jerome Jefferson" \f "Name" \b \i } on Saturday, 22nd October 1870. They had two daughters: Julia (1874-1875) and Julietta.

Ella Maria married **James H Slawson**{ XE "Slawson:James H" \f "Name" \b \i } on Thursday, 1st April 1880. They had three children: Charles (1881-1881), Dottie (1882-) and Lewis (1884-).

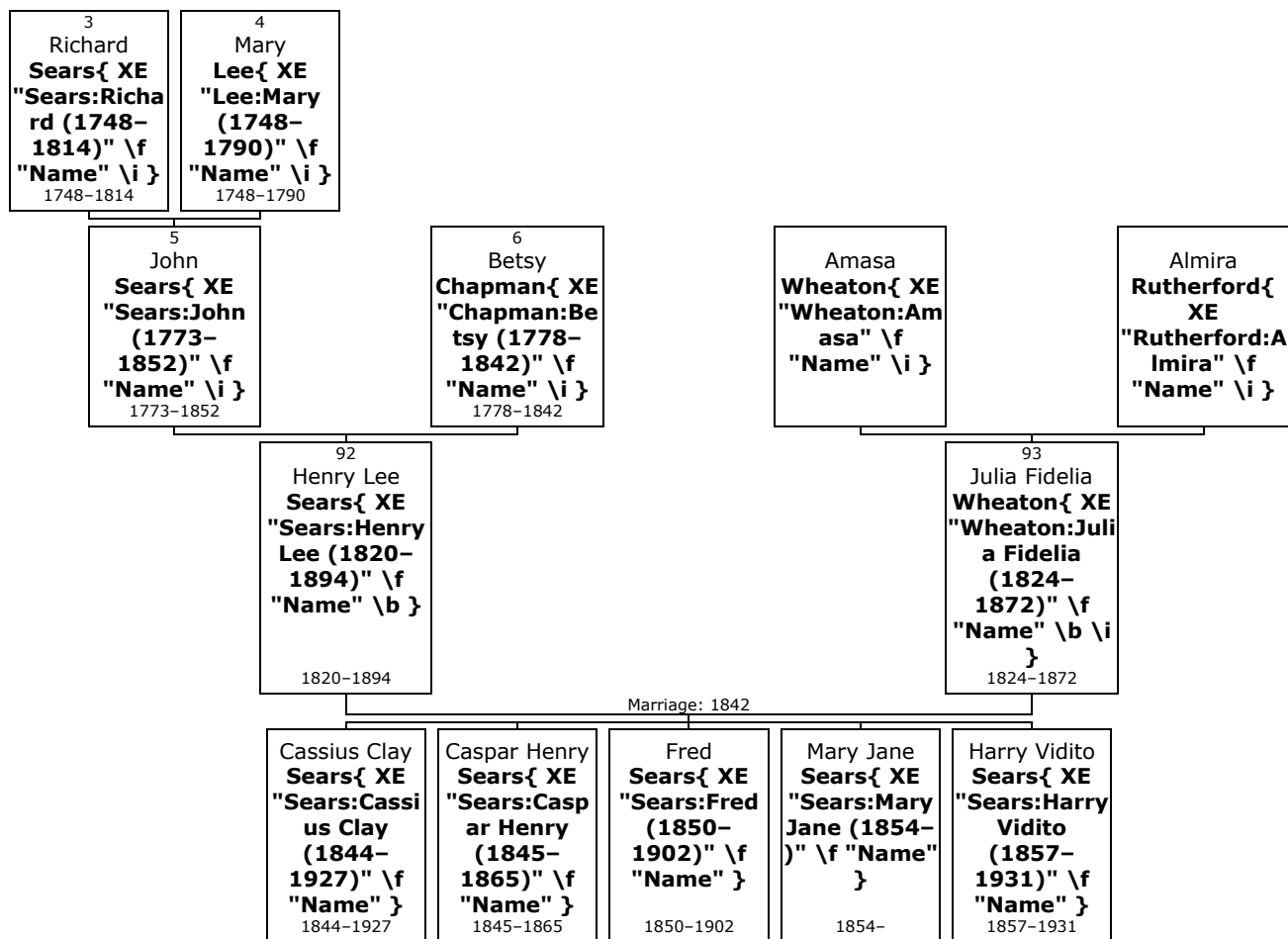
- f IV. **Emma Frances Fisk**{ XE "Fisk:Emma Frances (1847-)" \f "Name" \b } was born in perh{ XE "USA, Vermont, Chittenden, Hinesburg, perh: :Fisk, Emma Frances (1847-)" \f "Place" } on 4th April 1847.^[134]

Emma Frances married **Peter Pfeiffer**{ XE "Pfeiffer:Peter" \f "Name" \b \i } on Saturday, 25th December 1869, in Franklin, Ohio{ XE "USA, Ohio, Franklin:(39.9697° N, 83.0098° W):Fisk, Emma Frances (1847-)" \f "Place" }.^[134] They had six children: George (1870-), Charles (1872-), Rosabel (1873-), Francis (1875-), Jennie (1878-1885) and Clara (1881-).

- f V. **Sarah Ann Fisk**{ XE "Fisk:Sarah Ann (1851-)" \f "Name" \b } was born in perh{ XE "USA, Vermont, Chittenden, Hinesburg, perh: :Fisk, Sarah Ann (1851-)" \f "Place" } on 1st February 1851.

¹³⁴ Ancestry.com, Ohio, County Marriages, 1774-1993 (Lehi, UT, USA, Ancestry.com Operations, Inc., 2016), Ancestry.com, Record for Emma F. Fisk. <http://search.ancestry.com/cgi-bin/sse.dll?db=61378&h=900471236&indiv=try>.

Family of Henry Sears and Julia Wheaton{ TC "Henry Sears and Julia Wheaton" \I 3 \f C}



92. Henry Lee⁵ Sears{ XE "Sears:Henry Lee (1820-1894)" \f "Name" \b } (*John⁴, Sergt Richard³, Silas²*) was born on Friday, 24th March 1820, in Hinesburg, Chittenden, Vermont, USA{ XE "USA, Vermont, Chittenden, Hinesburg:(44.3292° N, 73.1107° W):Sears, Henry Lee (1820-1894)" \f "Place" }.^[135, 136-137] He was the son of John Sears{ XE "Sears:John (1773-1852)" \f "Name" \i } (5) and Betsy Chapman{ XE "Chapman:Betsy (1778-1842)" \f "Name" \i } (6).

Henry Lee died in Monkton{ XE "USA, Vermont, Addison, Monkton:(44.2201° N, 73.1254° W):Sears, Henry Lee (1820-1894)" \f "Place" } on 2nd June 1894, at the age of 74.^[135] He was buried in Barnumtown{ XE "USA, Vermont, Addison, Barnumtown: :Sears, Henry Lee (1820-1894)" \f "Place" }.^[135]

!S.P. May No 1917 p. 455 Is a carpenter in Monkton, VT

<https://www.wikitree.com/wiki/Sears-6116>

More facts and events for Henry Lee Sears:

Residence: 1880 Monkton{ XE "USA, Vermont, Addison, Monkton:(44.2201° N, 73.1254°

¹³⁵ Ancestry.com, U.S., Find A Grave Index, 1600s-Current (Provo, UT, USA, Ancestry.com Operations, Inc., 2012), Ancestry.com.

¹³⁶ Ancestry.com and The Church of Jesus Christ of Latter-day Saints, 1880 United States Federal Census (Provo, UT, USA, Ancestry.com Operations Inc, 2010), Ancestry.com, Year: 1880; Census Place: Monkton, Addison, Vermont; Roll: 1341; Family History Film: 1255341; Page: 164B; Enumeration District: 012. [Source citation includes one media item]

¹³⁷ Ancestry.com, North America, Family Histories, 1500-2000 (Provo, UT, USA, Ancestry.com Operations, Inc., 2016), Ancestry.com, Book Title: Descendants of Thomas Carter of Reading and Weston, Massachusetts, and of Hebron and Warren, Connecticut. [Source citation includes one media item]

W):Sears, Henry Lee (1820–1894)" \f "Place" }^[136]
 Marital Status: Widower; Relation to Head: Self

93. At the age of 22, Henry Lee married **Julia Fidelia Wheaton**{ XE "Wheaton:Julia Fidelia (1824–1872)" \f "Name" \b \i } on Monday, 7th November 1842, in Monkton{ XE "USA, Vermont, Addison, Monkton:(44.2201° N, 73.1254° W):Sears, Henry Lee (1820–1894)" \f "Place" } when she was 18 years old.^[135, 137, 138] They had five children: Cassius (1844–1927), Caspar (1845–1865), Fred (1850–1902), Mary (1854–) and Harry (1857–1931).

Julia Fidelia was born in Monkton{ XE "USA, Vermont, Addison, Monkton:(44.2201° N, 73.1254° W):Wheaton, Julia Fidelia (1824–1872)" \f "Place" } on Saturday, 20th March 1824.^[135, 138] She was the daughter of Amasa Wheaton{ XE "Wheaton:Amasa" \f "Name" \i } and Almira Rutherford{ XE "Rutherford:Almira" \f "Name" \i }.

Julia Fidelia reached 48 years of age and died in Monkton{ XE "USA, Vermont, Addison, Monkton:(44.2201° N, 73.1254° W):Wheaton, Julia Fidelia (1824–1872)" \f "Place" } on 24th August 1872.^[135, 138] She was buried in Barnumtown{ XE "USA, Vermont, Addison, Barnumtown: :Wheaton, Julia Fidelia (1824–1872)" \f "Place" }.^[135]

Children of Henry Lee Sears and Julia Fidelia Wheaton:

m I. **Cassius Clay⁶ Sears**{ XE "Sears:Cassius Clay (1844–1927)" \f "Name" \b } was born in Monkton{ XE "USA, Vermont, Addison, Monkton:(44.2201° N, 73.1254° W):Sears, Cassius Clay (1844–1927)" \f "Place" } on 8th September 1844.^[135, 136, 138, 139, 140, 141, 142–143] He died in Monkton{ XE "USA, Vermont, Addison, Monkton:(44.2201° N, 73.1254° W):Sears, Cassius Clay (1844–1927)" \f "Place" } on 20th December 1927, at the age of 83.^[135, 139] Cassius Clay was buried in Barnumtown{ XE "USA, Vermont, Addison, Barnumtown: :Sears, Cassius Clay (1844–1927)" \f "Place" }.^[135]



Cassius

More facts and events for Cassius Clay Sears:

Residence: 1880 Monkton{ XE "USA, Vermont, Addison, Monkton:(44.2201° N, 73.1254° W):Sears, Cassius Clay (1844–1927)" \f "Place" }^[136]
 Marital Status: Married; Relation to Head: Son

Residence: 1900 Monkton{ XE "USA, Vermont, Addison, Monkton:(44.2201° N, 73.1254° W):Sears, Cassius Clay (1844–1927)" \f "Place" }^[141]
 Marital Status: Married; Relation to Head: Head

Residence: 1910 Monkton{ XE "USA, Vermont, Addison, Monkton:(44.2201° N, 73.1254° W):Sears, Cassius Clay (1844–1927)" \f "Place" }^[140]

¹³⁸ Ancestry.com, Vermont, Vital Records, 1720-1908 (Provo, UT, USA, Ancestry.com Operations, Inc., 2013), Ancestry.com. [Source citation includes one media item]

¹³⁹ Ancestry.com, Vermont, Death Records, 1909-2008 (Provo, UT, USA, Ancestry.com Operations, Inc., 2010), Ancestry.com, Vermont State Archives and Records Administration; Montpelier, Vermont; Vermont Death Records, 1909-2008; User Box Number: PR-01923; Roll Number: S-30867; Archive Number: M-2051519.

¹⁴⁰ Ancestry.com, 1910 United States Federal Census (Provo, UT, USA, Ancestry.com Operations Inc, 2006), Ancestry.com, Year: 1910; Census Place: Monkton, Addison, Vermont; Roll: T624_1612; Page: 2A; Enumeration District: 0012; FHL microfilm: 1375625.

¹⁴¹ Ancestry.com, 1900 United States Federal Census (Provo, UT, USA, Ancestry.com Operations Inc, 2004), Ancestry.com, Year: 1900; Census Place: Monkton, Addison, Vermont; Roll: 1689; Page: 6B; Enumeration District: 0014; FHL microfilm: 1241689.

¹⁴² National Archives and Records Administration, U.S., Civil War Pension Index: General Index to Pension Files, 1861-1934 (Provo, UT, USA, Ancestry.com Operations Inc, 2000), Ancestry.com, The National Archives at Washington, D.C.; Washington, D.C.; NAI Title: General Index to Civil War and Later Pension Files, ca. 1949 - ca. 1949; NAI Number: 563268; Record Group Title: Records of the Department of Veterans Affairs, 1773 - 2007; Record Gro.

¹⁴³ Ancestry.com, Vermont, Marriage Records, 1909-2008 (Provo, UT, USA, Ancestry.com Operations, Inc., 2010), Ancestry.com, Vermont State Archives and Records Administration; Montpelier, Vermont; Vermont Marriage Records, 1909-2008; User Box Number: PR-01923; Roll Number: S-30867; Archive Number: M-2051519.

Residence: Marital Status: Married; Relation to Head of House: Head
 Relation To Head: Soldier/New York and Vermont^[142]
 Residence: Monkton{ XE "USA, Vermont, Addison, Monkton:(44.2201° N, 73.1254° W):Sears, Cassius Clay (1844–1927)" \f "Place" }^[139]

At the age of 32, Cassius Clay married **Eliza Jane Lizzie Kellogg**{ XE "Kellogg:Eliza Jane \"Lizzie\" (1852–)" \f "Name" \b \i } on Monday, 3rd September 1877, in Monkton{ XE "USA, Vermont, Addison, Monkton:(44.2201° N, 73.1254° W):Sears, Cassius Clay (1844–1927)" \f "Place" } when she was 25 years old.^[138, 140–144] They had one son: Casper (1879–1933).

Lizzie was born in Minerva, Essex, New York,{ XE "USA, New York, Essex, Minerva:(43.7914° N, 73.9847° W):Kellogg, Eliza Jane \"Lizzie\" (1852–)" \f "Place" } on Wednesday, 10th March 1852.^[138, 140, 141, 144] She was the daughter of J P Kellogg{ XE "Kellogg:J P (1826–)" \f "Name" \i }.

m II. **Caspar Henry Sears**{ XE "Sears:Caspar Henry (1845–1865)" \f "Name" \b } was born in Monkton{ XE "USA, Vermont, Addison, Monkton:(44.2201° N, 73.1254° W):Sears, Caspar Henry (1845–1865)" \f "Place" } on 12th October 1845.^[135, 138] He died in Monkton{ XE "USA, Vermont, Addison, Monkton:(44.2201° N, 73.1254° W):Sears, Caspar Henry (1845–1865)" \f "Place" } on 19th June 1865, at the age of 19.^[135, 138] Caspar Henry was buried in Barnumtown{ XE "USA, Vermont, Addison, Barnumtown: :Sears, Caspar Henry (1845–1865)" \f "Place" }.^[135]



Caspar

m III. **Fred Sears**{ XE "Sears:Fred (1850–1902)" \f "Name" \b } was born in Monkton{ XE "USA, Vermont, Addison, Monkton:(44.2201° N, 73.1254° W):Sears, Fred (1850–1902)" \f "Place" } on 15th September 1850.^[135, 137, 143, 145, 146] He died in June 1902 at the age of 51.^[135, 137] Fred was buried in Vergennes{ XE "USA, Vermont, Addison, Vergennes:(44.1673° N, 73.254° W):Sears, Fred (1850–1902)" \f "Place" }.^[135]



Fred

More facts and events for Fred Sears:

Residence: 1880 Panton{ XE "USA, Vermont, Addison, Panton:(44.1486° N, 73.3408° W):Sears, Fred (1850–1902)" \f "Place" }^[145]
 Marital Status: Married; Relation to Head: Self
 Residence: 1900 Panton{ XE "USA, Vermont, Addison, Panton:(44.1486° N, 73.3408° W):Sears, Fred (1850–1902)" \f "Place" }^[146]
 Marital Status: Married; Relation to Head: Head

¹⁴⁴ Ancestry.com, 1930 United States Federal Census (Provo, UT, USA, Ancestry.com Operations Inc, 2002), Ancestry.com, Year: 1930; Census Place: Monkton, Addison, Vermont; Roll: 2426; Page: 6B; Enumeration District: 0015; FHL microfilm: 2342160.
 [Source citation includes one media item]

¹⁴⁵ Ancestry.com and The Church of Jesus Christ of Latter-day Saints, 1880 United States Federal Census (Provo, UT, USA, Ancestry.com Operations Inc, 2010), Ancestry.com, Year: 1880; Census Place: Panton, Addison, Vermont; Roll: 1341; Family History Film: 1255341; Page: 198A; Enumeration District: 015.

¹⁴⁶ Ancestry.com, 1900 United States Federal Census (Provo, UT, USA, Ancestry.com Operations Inc, 2004), Ancestry.com, Year: 1900; Census Place: Panton, Addison, Vermont; Roll: 1689; Page: 1A; Enumeration District: 0017; FHL microfilm: 1241689.

At the age of 25, Fred Sears married **Augusta Josephine Carter**{ XE "Carter:Augusta Josephine (1853-1917)" \f "Name" \b \i } on Monday, 29th May 1876, in Panton{ XE "USA, Vermont, Addison, Panton:(44.1486° N, 73.3408° W):Sears, Fred (1850-1902)" \f "Place" } when she was 22 years old.^[135, 137, 143, 145, 146] They had one daughter: Fannie (1881-1944).

Augusta Josephine was born in Monkton{ XE "USA, Vermont, Addison, Monkton:(44.2201° N, 73.1254° W):Carter, Augusta Josephine (1853-1917)" \f "Place" } on Monday, 28th November 1853.^[135, 137, 145, 146] She was the daughter of Joseph Carter{ XE "Carter:Joseph (1828-)" \f "Name" \i } and Josephine Hayward{ XE "Hayward:Josephine (1825-1854)" \f "Name" \i }.

Augusta Josephine reached 63 years of age and died in Panton{ XE "USA, Vermont, Addison, Panton:(44.1486° N, 73.3408° W):Carter, Augusta Josephine (1853-1917)" \f "Place" } on 8th February 1917.^[135] She was buried in Vergennes{ XE "USA, Vermont, Addison, Vergennes:(44.1673° N, 73.254° W):Carter, Augusta Josephine (1853-1917)" \f "Place" }.^[135]

DAR#92230

- f IV. **Mary Jane Sears**{ XE "Sears:Mary Jane (1854-)" \f "Name" \b } was born in Monkton{ XE "USA, Vermont, Addison, Monkton:(44.2201° N, 73.1254° W):Sears, Mary Jane (1854-)" \f "Place" } on 20th August 1854.^[136]

More facts and events for Mary Jane Sears:

Residence: 1880 Monkton{ XE "USA, Vermont, Addison, Monkton:(44.2201° N, 73.1254° W):Sears, Mary Jane (1854-)" \f "Place" }^[136]
 Marital Status: Single; Relation to Head: Daughter

Mary Jane Sears married **Dewitt Thompson**{ XE "Thompson:Dewitt (1850-)" \f "Name" \b \i } on Tuesday, 31st August 1886, in Monkton{ XE "USA, Vermont, Addison, Monkton:(44.2201° N, 73.1254° W):Sears, Mary Jane (1854-)" \f "Place" }. They had no known children.

Dewitt was born in perh, Monkton,{ XE "USA, Vermont, Addison, Monkton, perh: :Thompson, Dewitt (1850-)" \f "Place" } in 1850.

- m V. **Harry Vidito Sears**{ XE "Sears:Harry Vidito (1857-1931)" \f "Name" \b } was born in Monkton{ XE "USA, Vermont, Addison, Monkton:(44.2201° N, 73.1254° W):Sears, Harry Vidito (1857-1931)" \f "Place" } on 20th June 1857.^[135, 136] He died in 1931 at the age of 73.^[135] Harry Vidito was buried in Barnumtown{ XE "USA, Vermont, Addison, Barnumtown: :Sears, Harry Vidito (1857-1931)" \f "Place" }.^[135]

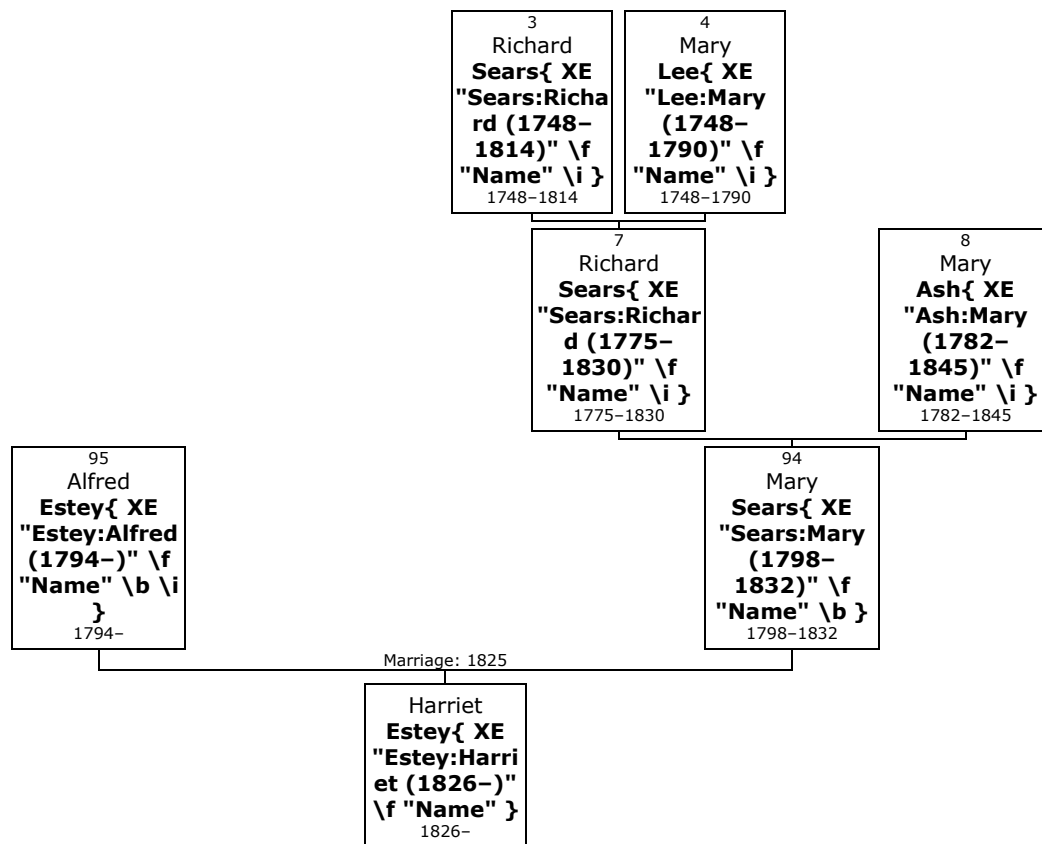
More facts and events for Harry Vidito Sears:

Residence: 1880 Monkton{ XE "USA, Vermont, Addison, Monkton:(44.2201° N, 73.1254° W):Sears, Harry Vidito (1857-1931)" \f "Place" }^[136]
 Marital Status: Single; Relation to Head: Son

At the age of 26, Harry Vidito Sears married **Aurelia A Finney**{ XE "Finney:Aurelia A (1858-)" \f "Name" \b \i } on Thursday, 4th October 1883, in Bristol{ XE "USA, Vermont, Addison, Bristol:(44.1334° N, 73.079° W):Sears, Harry Vidito (1857-1931)" \f "Place" } when she was 25 years old. They had no known children.

Aurelia A was born in Monkton{ XE "USA, Vermont, Addison, Monkton:(44.2201° N, 73.1254° W):Finney, Aurelia A (1858-)" \f "Place" } on Monday, 4th October 1858.

Family of Mary Sears and Alfred Estey{ TC "Mary Sears and Alfred Estey" \I 3 \f C}



94. Mary⁵ Sears{ XE "Sears:Mary (1798-1832)" \f "Name" \b } (*Richard⁴, Sergt Richard³, Silas²*) was born on Tuesday, 25th December 1798, in Rome, Oneida, New York, USA{ XE "USA, New York, Oneida, Rome:(43.2129° N, 75.4557° W):Sears, Mary (1798-1832)" \f "Place" }. She was the daughter of Richard Sears{ XE "Sears:Richard (1775-1830)" \f "Name" \i } (7) and Mary Ash{ XE "Ash:Mary (1782-1845)" \f "Name" \i } (8).

Mary died in Albany{ XE "USA, New York, Albany:(42.6029° N, 73.9717° W):Sears, Mary (1798-1832)" \f "Place" } on 27th July 1832, at the age of 33.

!BIRTH: Letter from Carol Aldrich, Tulsa, OK, to Ray Sears, Duncan, OK; 1675-1989; Letter dtd 18 May 1994; ; copy in poss of Ray Sears, Duncan, OK; married Alfred Astey, one daughter.

S P May No 1918

<https://www.wikitree.com/wiki/Sears-6117>

95. Mary married **Alfred Estey**{ XE "Estey:Alfred (1794-)" \f "Name" \b \i } on Thursday, 10th November 1825, in Rome, Oneida{ XE "USA, New York, Oneida, Rome:(43.2129° N, 75.4557° W):Sears, Mary (1798-1832)" \f "Place" }. They had one daughter: Harriet (1826-).

Alfred was born in perh, Rome,{ XE "USA, New York, Oneida, Rome, perh: :Estey, Alfred (1794-)" \f "Place" } in 1794.

!S.P. May p.307 A Scotchman

Daughter of Mary Sears and Alfred Estey:

- f I. **Harriet⁶ Estey**{ XE "Estey:Harriet (1826-)" \f "Name" \b } was born in perh, Rome,{ XE "USA, New York, Oneida, Rome, perh: :Estey, Harriet (1826-)" \f "Place" } in 1826. She died at D.S.P. in Camden{ XE "USA, New York, Oneida, Camden:(43.3345° N, 75.748° W):Estey, Harriet (1826-)" \f "Place" }.

Richard Sears{ TC "Richard Sears" \I 3 \f C}

96. Richard⁵ Sears III{ XE "Sears:Richard III (1801-1852)" \f "Name" \b } (*Richard⁴, Sergt Richard³, Silas²*) was born on Friday, 21st August 1801, in Rome, Oneida, New York, USA{ XE "USA, New York,

Oneida, Rome:(43.2129° N, 75.4557° W):Sears, Richard III (1801–1852)" \f "Place" }.^[147, 148, 149–150] He was the son of Richard Sears{ XE "Sears:Richard (1775–1830)" \f "Name" \i } (7) and Mary Ash{ XE "Ash:Mary (1782–1845)" \f "Name" \i } (8).

Richard died in Dundee, Kane, Illinois,{ XE "USA, Illinois, Kane, Dundee:(42.0976° N, 88.2786° W):Sears, Richard III (1801–1852)" \f "Place" } on 27th January 1852, at the age of 50.^[147]

S.P. May No 1919 p.457 After living for a time in Camden, NY, Mr Sears removed in fall of 1837 to Reading township, Hillsdale co., MI, and later to Kane co., IL, near Dundee, where his wife died in 1848. He then broke up housekeeping and went to Jefferson co., WI, leaving his children in IL provided with good homes in different families. He was married in 1852 to Mrs Amy Fuller, taken sick the same day, and died seven days after; was a farmer.

<https://www.wikitree.com/wiki/Sears-6118>

BIRTH: Letter from Carol Aldrich, Tulsa, OK, to Ray Sears, Duncan, OK; 1675-1989; Letter dtd 18 May 1994; ; copy in poss of Ray Sears, Duncan, OK; Married Almyra Howard.

Marriages with Almira Howard and Diamy Amy Tubbs (Page 125) are known.

¹⁴⁷ Ancestry.com, U.S., Sons of the American Revolution Membership Applications, 1889-1970 (Provo, UT, USA, Ancestry.com Operations, Inc., 2011), Ancestry.com, Volume: 252.

[Source citation includes one media item]

¹⁴⁸ Ancestry.com, Iowa, Select Deaths and Burials, 1850-1990 (Provo, UT, USA, Ancestry.com Operations, Inc, 2014), Ancestry.com.

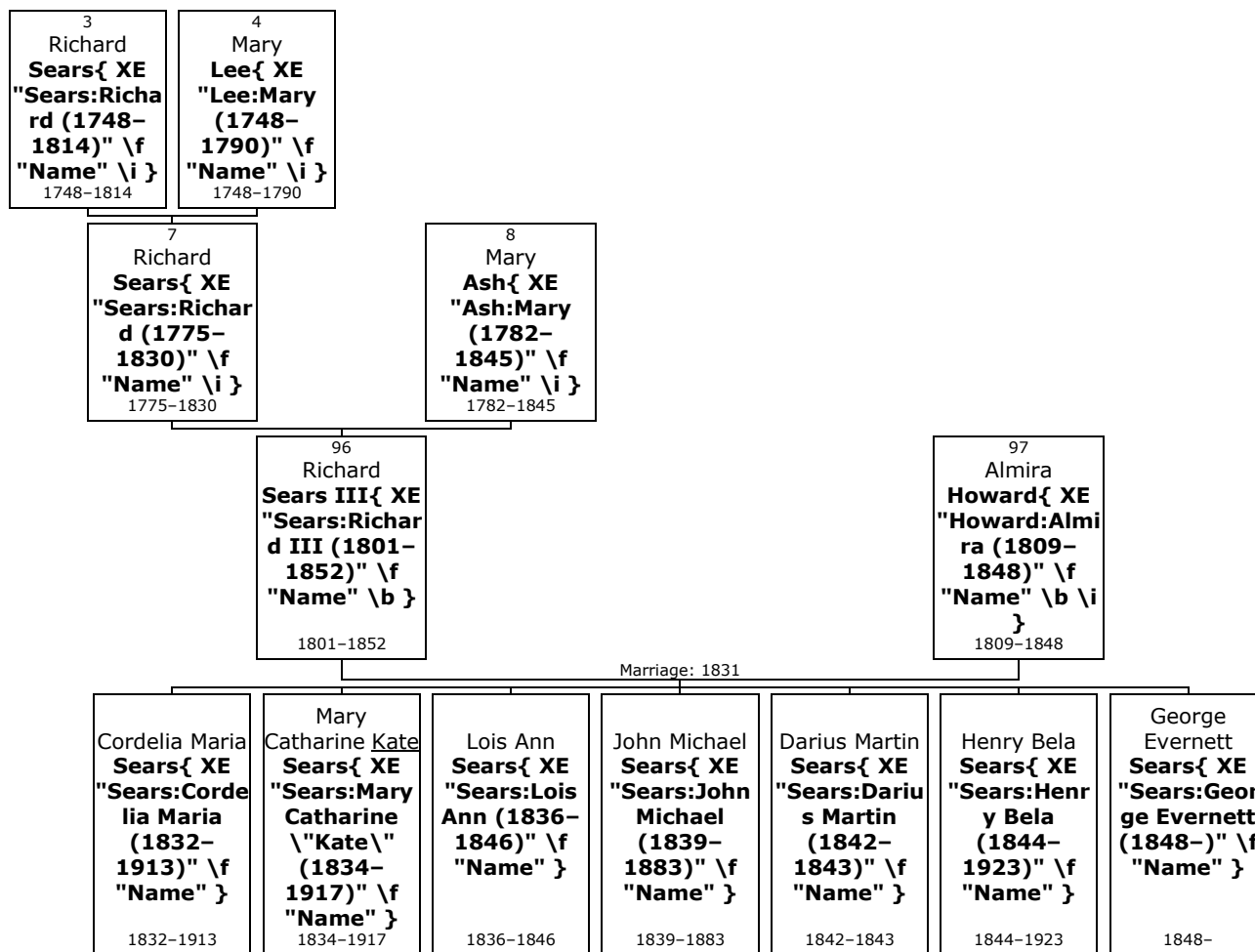
¹⁴⁹ Ancestry.com, Iowa, Marriage Records, 1880-1937 (Provo, UT, USA, Ancestry.com Operations, Inc., 2014), Ancestry.com, Iowa Department of Public Health; Des Moines, Iowa; Series Title: Iowa Marriage Records, 1880–1922; Record Type: Textual Records.

[Source citation includes one media item]

¹⁵⁰ Ancestry.com, U.S., Sons of the American Revolution Membership Applications, 1889-1970 (Provo, UT, USA, Ancestry.com Operations, Inc., 2011), Ancestry.com, Volume: 66.

[Source citation includes one media item]

Family of Richard Sears and Almira Howard{ TC "Richard Sears and Almira Howard" \I 4 \f C}



Here are the details about **Richard Sears III's**{ XE "Sears:Richard III (1801-1852)" \f "Name" \b } first marriage, with Almira Howard. You can read more about Richard on page 117.

97. At the age of 29, Richard Sears III married **Almira Howard**{ XE "Howard:Almira (1809-1848)" \f "Name" \b \i } on Wednesday, 2nd February 1831, in Rome{ XE "USA, New York, Oneida, Rome:(43.2129° N, 75.4557° W):Sears, Richard III (1801-1852)" \f "Place" } when she was 21 years old.^[147-150] They had seven children: Cordelia (1832-1913), Kate (1834-1917), Lois (1836-1846), John (1839-1883), Darius (1842-1843), Henry (1844-1923) and George (1848-).

Almira was born in Rome{ XE "USA, New York, Oneida, Rome:(43.2129° N, 75.4557° W):Howard, Almira (1809-1848)" \f "Place" } on Sunday, 8th October 1809. She reached 38 years of age and died in Dundee, Kane, Illinois,{ XE "USA, Illinois, Kane, Dundee:(42.0976° N, 88.2786° W):Howard, Almira (1809-1848)" \f "Place" } on 14th June 1848.^[147]

BIRTH: Letter from Carol Aldrich, Tulsa, OK, to Ray Sears, Duncan, OK; 1675-1989; Letter dtd 18 May 1994; ; copy in poss of Ray Sears, Duncan, OK; She shows b. date as 21 Aug 1807 and d. date as 20 Aug 1859.

Children of Richard Sears III and Almira Howard:

- f I. **Cordelia Maria⁶ Sears**{ XE "Sears:Cordelia Maria (1832-1913)" \f "Name" \b } was born in Rome{ XE "USA, New York, Oneida, Rome:(43.2129° N, 75.4557° W):Sears, Cordelia Maria (1832-1913)" \f "Place" } on 11th February 1832.^[147, 148, 151, 152-153] She

¹⁵¹ Ancestry.com, 1870 United States Federal Census (Provo, UT, USA, Ancestry.com Operations, Inc., 2009), Ancestry.com, Year: 1870; Census Place: Jackson, Winneshiek, Iowa; Roll: M593_426; Page: 217B; Family History Library Film: 545924. Record for Cordelia Tubbs. <http://search.ancestry.com/cgi-bin/sse.dll?db=7163&h=20473299&indiv=try>.

¹⁵² Ancestry.com, U.S., Find A Grave Index, 1600s-Current (Provo, UT, USA, Ancestry.com Operations, Inc., 2012), Ancestry.com.

died in Rolfe, Pocahontas, { XE "USA, Iowa, Pocahontas, Rolfe:(42.8127° N, 94.5269° W):Sears, Cordelia Maria (1832-1913)" \f "Place" } on 21st April 1913, at the age of 81.^[147, 148, 152] Cordelia Maria was buried in Rolfe { XE "USA, Iowa, Pocahontas, Rolfe:(42.8127° N, 94.5269° W):Sears, Cordelia Maria (1832-1913)" \f "Place" } on 23rd April 1913.^[148, 152]

More facts and events for Cordelia Maria Sears:

Residence: 1870 Fort Atkinson, Winneshiek { XE "USA, Iowa, Winneshiek, Fort Atkinson:(43.1433° N, 91.9327° W):Sears, Cordelia Maria (1832-1913)" \f "Place" }^[151]
Age: 39; RealEstateValue: 100; Occupation: Keeping House

At the age of 16, Cordelia Maria married **Smith Tubbs** { XE "Tubbs:Smith (1826-1865)" \f "Name" \b \i } on Tuesday, 4th July 1848, in Elgin, Jefferson, Illinois, { XE "USA, Illinois, Jefferson, Elgin: :Sears, Cordelia Maria (1832-1913)" \f "Place" } when he was 22 years old.^[152, 153] They had six children: Martha (1850-1850), Martha (1851-1931), Clara (1854-1855), Lillian (1856-1874), Alice (1859-1952) and Herbert (1861-1927).

Smith was born in Oneida, New York, { XE "USA, New York, Oneida:(43.2406° N, 75.4381° W):Tubbs, Smith (1826-1865)" \f "Place" } on Saturday, 4th March 1826.^[152] He was the son of Peter Tubbs { XE "Tubbs:Peter (1783-)" \f "Name" \i } and Catherine Zimmer { XE "Zimmer:Catherine (1787-)" \f "Name" \i }.

Smith reached 38 years of age and died in Sullivan, Jefferson, Wisconsin, { XE "USA, Wisconsin, Jefferson, Sullivan:(43.0128° N, 88.5882° W):Tubbs, Smith (1826-1865)" \f "Place" } on 28th January 1865.^[152] He was buried in St Lukes Cemetery, Rome { XE "USA, Wisconsin, Jefferson, Rome, St Lukes Cemetery: :Tubbs, Smith (1826-1865)" \f "Place" }.^[152]

!S.P. May p.455 removed to near Dundee, IL, and thence in 1856 to Rome, WI, where he d.; bur. Crowder Cem'y; was a farmer !CAS He was her bro-in-law. Div 17 Feb 1875, Winnesvier co, IA !LJones After his death, Cordelia m. Smith's recently widowed brother, Samuel Sylvester on 4 jul 1866 in Rome, WI. IN 1870 the family moved to Ft Atkinson, IA. They were divorced in Ft Atkinson on 17 Feb 1875. No children !Jean Sweningsen-He was Cordelia's bro-in-law. Div. 17 Feb 1875, Winnesheik co, IA. Civil War pension record, obit, marriage record. m 3rd- Nancy Libby m.4th-Sarah Coony Bush !BIRTH: Letter from Carol Aldrich, Tulsa, OK, to Ray Sears, Duncan, OK; 1675-1989; Letter dtd 18 May 1994; ; copy in poss of Ray Sears, Duncan, OK; His brother Seth married her sister Katie. She shows b. date as 13 May 1833 and death as bef 12 Jul Henry, Codington co, SD

At the age of 34, Cordelia Maria Sears married **Samuel S Tubbs** { XE "Tubbs:Samuel S (1833-?)" \f "Name" \b \i } on Wednesday, 4th July 1866, in Jefferson { XE "USA, Wisconsin, Jefferson:(43.0205° N, 88.7803° W):Sears, Cordelia Maria (1832-1913)" \f "Place" } when he was 33 years old.^[151] They had one son: Everet (1858-).

Samuel S was born in Oneida, New York, { XE "USA, New York, Oneida:(43.2406° N, 75.4381° W):Tubbs, Samuel S (1833-?)" \f "Place" } on Monday, 13th May 1833.^[151] He died on 12th July.

Phone call with Kati Netzler He was bro-in-law Div 17 Feb 1875 Winnesheik co, IA other m. 3. Nancy Libby 4. Sara Coony Bush ; Civil War pension record, obit, m. record

f II. **Mary Catharine Kate Sears** { XE "Sears:Mary Catharine \"Kate\" (1834-1917)" \f "Name" \b } was born in Camden { XE "USA, New York, Oneida, Camden:(43.3345° N, 75.748° W):Sears, Mary Catharine \"Kate\" (1834-1917)" \f "Place" } on 25th July 1834.^[154, 155, 156, 157, 158, 159, 160, 161, 162, 163, 164, 165, 166-167] She died in Marion { XE "USA,

¹⁵³ Ancestry.com, Iowa, Death Records, 1920-1940 (Lehi, UT, USA, Ancestry.com Operations, Inc., 2017), Ancestry.com, State Historical Society of Iowa; Des Moines, Iowa; Iowa Death Records; Reference Number: 101784561.

¹⁵⁴ FamilySearch.org, FamilySearch Family Tree, FamilySearch, "Kansas State Census, 1875", database with images, <i>FamilySearch</i> (https://familysearch.org/ark:/61903/1:1:QL66-Y7BC : 12 November 2017), U C Tubbs in entry for S B Tubbs, 1875. U C Tubbs in household of S B Tubbs, "Kansas State Census, 1875". https://familysearch.org/ark:/61903/1:1:QL66-Y7BC.

¹⁵⁵ FamilySearch.org, FamilySearch Family Tree, FamilySearch, "United States Census, 1900," database with images, <i>FamilySearch</i> (https://familysearch.org/ark:/61903/1:1:MMYS-KJW : accessed 12 January 2019), Mary C Tubbs in

Kansas, Marion:(38.3616° N, 97.0977° W):Sears, Mary Catharine \"Kate\" (1834–1917) \"f \"Place\" } on 15th August 1917, at the age of 83.^[158–162, 168] Kate was buried at 3280 in Marion{ XE \"USA, Kansas, Marion:(38.3616° N, 97.0977° W):Sears, Mary Catharine \"Kate\" (1834–1917) \"f \"Place\" }.^[158–162]

More facts and events for Mary Catharine Kate Sears:

Residence: 1860 Sullivan, Jefferson, Wisconsin{ XE \"USA, Wisconsin, Jefferson, Sullivan:(43.0128° N, 88.5882° W):Sears, Mary Catharine \"Kate\" (1834–1917) \"f \"Place\" }^[158, 159, 162]

Residence: 1875 Marion, Kansas{ XE \"USA, Kansas, Marion:(38.3616° N,

household of Ralph Hodge, Center Township Marion city Ward 1-4, Marion, Kansas, United S. Mary C Tubbs in household of Ralph Hodge, \"United States Census, 1900\". <https://familysearch.org/ark:/61903/1:1:MMYS-KJW>.

- ¹⁵⁶ FamilySearch.org, FamilySearch Family Tree, FamilySearch, \"United States Census, 1880,\" database with images, <i>FamilySearch</i> (<https://familysearch.org/ark:/61903/1:1:MF5H-2HX> : 29 August 2017), Mary Catherine Tubbs, Marion, Marion, Kansas, United States; citing enumeration district ED 250, sheet 66D, NARA m. Mary Catherine Tubbs, \"United States Census, 1880\". <https://familysearch.org/ark:/61903/1:1:MF5H-2HX>.
- ¹⁵⁷ FamilySearch.org, FamilySearch Family Tree, FamilySearch, \"United States Census, 1860,\" database with images, <i>FamilySearch</i> (<https://familysearch.org/ark:/61903/1:1:MW99-93D> : 12 December 2017), Mary C Tubbs in entry for Seth B Tubbs, 1860. Mary C Tubbs in household of Seth B Tubbs, \"United States Census, 1860\". <https://familysearch.org/ark:/61903/1:1:MW99-93D>.
- ¹⁵⁸ FamilySearch.org, FamilySearch Family Tree, FamilySearch, \"Ohio Deaths, 1908-1953,\" database with images, <i>FamilySearch</i> (<https://familysearch.org/ark:/61903/1:1:XZBP-J9B> : 9 March 2018), Mary Catherine Sears in entry for Vinnie R Burkholder, 08 Jun 1944; citing Cincinnati, Hamilton, Ohio, reference fn 3826. Mary Catherine Sears in entry for Vinnie R Burkholder, \"Ohio, Deaths, 1908-1953\". <https://familysearch.org/ark:/61903/1:1:XZBP-J9B>.
- ¹⁵⁹ FamilySearch.org, FamilySearch Family Tree, FamilySearch, \"Family Tree,\" database, <i>FamilySearch</i> (<http://familysearch.org> : modified 04 January 2019, 01:23), entry for Mary Catherine Sears(PID <https://familysearch.org/ark:/61903/4:1:LHQ2-426>); contributed by various users. PersonID LHQ2-426. Mary Catherine Sears. <https://familysearch.org/ark:/61903/4:1:LHQ2-426>.
- ¹⁶⁰ FamilySearch.org, FamilySearch Family Tree, FamilySearch, \"BillionGraves Index,\" database, <i>FamilySearch</i> (<https://familysearch.org/ark:/61903/1:1:Q2SY-W8G9> : 26 April 2016), Mary O. Tubbs, died 16 Aug 1917; citing <i>BillionGraves</i> (<http://www.billiongraves.com> : 2012), Burial at Marion Cemetery, Marion. Mary O. Tubbs, \"BillionGraves Index\". <https://familysearch.org/ark:/61903/1:1:Q2SY-W8G9>.
- ¹⁶¹ FamilySearch.org, FamilySearch Family Tree, FamilySearch, \"Find A Grave Index,\" database, <i>FamilySearch</i> (<https://familysearch.org/ark:/61903/1:1:QV2G-MC55> : 13 December 2015), Mary C. Tubbs, 1917; Burial, Marion, Marion, Kansas, United States of America, Marion Cemetery; citing record ID 77113432, <i>Find. Mary C. Tubbs, \"Find A Grave Index\". <https://familysearch.org/ark:/61903/1:1:QV2G-MC55>.
- ¹⁶² FamilySearch.org, FamilySearch Family Tree, FamilySearch, Illinois, County Marriage Records, 1800-1940. <https://search.ancestry.com/collections/61370/records/901051221>.
- ¹⁶³ FamilySearch.org, FamilySearch Family Tree, FamilySearch, \"California, County Birth and Death Records, 1800-1994,\" database with images, <i>FamilySearch</i> (<https://familysearch.org/ark:/61903/1:1:QPSF-CZDW> : 22 August 2018), Mary C Sears in entry for Nona Adela Tubbs, 1957. Mary C Sears in entry for Nona Adela Tubbs, \"California, County Birth and Death Records, 1800-1994\". <https://familysearch.org/ark:/61903/1:1:QPSF-CZDW>.
- ¹⁶⁴ FamilySearch.org, FamilySearch Family Tree, FamilySearch, \"California Death Index, 1940-1997,\" database, <i>FamilySearch</i> (<https://familysearch.org/ark:/61903/1:1:VPWD-H8V> : 26 November 2014), Sears in entry for Nona Adele Tubbs, 06 Apr 1957; Department of Public Health Services, Sacramento. Sears in entry for Nona Adele Tubbs, \"California Death Index, 1940-1997\". <https://familysearch.org/ark:/61903/1:1:VPWD-H8V>.
- ¹⁶⁵ FamilySearch.org, FamilySearch Family Tree, FamilySearch, \"Wisconsin, County Marriages, 1836-1911,\" database, <i>FamilySearch</i> (<https://familysearch.org/ark:/61903/1:1:XRJJ-C6K> : 17 March 2018), Mary C Tubbs in entry for Edward R Clark and Charlotte Tubbs, 12 Nov 1882; citing , Jefferson, Wisconsin, United St. Mary C Tubbs in entry for Edward R Clark and Charlotte Tubbs, \"Wisconsin, County Marriages, 1836-1911\". <https://familysearch.org/ark:/61903/1:1:XRJJ-C6K>.
- ¹⁶⁶ FamilySearch.org, FamilySearch Family Tree, FamilySearch, \"Wisconsin, County Marriages, 1836-1911,\" database, <i>FamilySearch</i> (<https://familysearch.org/ark:/61903/1:1:QK8P-YL1F> : 15 March 2018), Seth B R Tubbs and Mary C Sears, 09 Sep 1857; citing Jackson, Wisconsin, United States, Wisconsin Historical Socie. Mary C Sears, \"Wisconsin, County Marriages, 1836-1911\". <https://familysearch.org/ark:/61903/1:1:QK8P-YL1F>.
- ¹⁶⁷ FamilySearch.org, FamilySearch Family Tree, FamilySearch, \"Wisconsin, County Marriages, 1836-1911,\" database, <i>FamilySearch</i> (<https://familysearch.org/ark:/61903/1:1:QK8P-YPP8> : 15 March 2018), Seth B R Tubbs and Mary C Sears, ; citing Jackson, Wisconsin, United States, Wisconsin Historical Society, Madison. Mary C Sears, \"Wisconsin, County Marriages, 1836-1911\". <https://familysearch.org/ark:/61903/1:1:QK8P-YPP8>.
- ¹⁶⁸ FamilySearch.org, FamilySearch Family Tree, FamilySearch, Volume: 252. U.S., Sons of the American Revolution Membership Applications, 1889-1970. <https://search.ancestry.com/collections/2204/records/1113679>.

- 97.0977° W):Sears, Mary Catharine \"Kate\" (1834–1917)" \f "Place" }^[158, 159, 162]
- Residence: 1880 Marion, Marion{ XE "USA, Kansas, Marion, Marion:(38.3483° N, 97.0169° W):Sears, Mary Catharine \"Kate\" (1834–1917)" \f "Place" }^[158, 159, 162]
- Residence: 1900 Marion{ XE "USA, Kansas, Marion, Marion:(38.3483° N, 97.0169° W):Sears, Mary Catharine \"Kate\" (1834–1917)" \f "Place" }^[158, 159, 162]
ED 83, Ward 1-4

At the age of 23, Mary Catharine Kate Sears married **Seth Barton Robert Tubbs**{ XE "Tubbs:Seth Barton Robert (1830–1917)" \f "Name" \b \i } on Thursday, 27th August 1857, in Jefferson, Wisconsin,{ XE "USA, Wisconsin, Jefferson:(43.0205° N, 88.7803° W):Sears, Mary Catharine \"Kate\" (1834–1917)" \f "Place" } when he was 27 years old. They had seven daughters: Lottie (1858–1939), Ida (1860–1948), Fanny (1863–1946), Vinnie (1866–1944), Nona (1868–1957), Lillie (1873–1953) and Lois (1877–1971).

Seth Barton Robert was born in Maple Flats, Oneida, New York,{ XE "USA, New York, Oneida, Maple Flats: :Tubbs, Seth Barton Robert (1830–1917)" \f "Place" } on Monday, 11th January 1830. He was the son of Peter Tubbs{ XE "Tubbs:Peter (1783–)" \f "Name" \i } and Catherine Zimmer{ XE "Zimmer:Catherine (1787–)" \f "Name" \i }.

He served in the military at Sawtelle in Los Angeles{ XE "USA, California, Los Angeles:(34.1847° N, 118.262° W):Tubbs, Seth Barton Robert (1830–1917)" \f "Place" } in 1906. Seth Barton Robert reached 87 years of age and died in Los Angeles{ XE "USA, California, Los Angeles, Los Angeles:(34.0522° N, 118.2437° W):Tubbs, Seth Barton Robert (1830–1917)" \f "Place" } on 4th October 1917. He was buried in Sawtell{ XE "USA, California, Los Angeles, Sawtell: :Tubbs, Seth Barton Robert (1830–1917)" \f "Place" }.

S.P. May p.456 was in Mexican war, and US Army from 1861 to 1862; removed to Marion, KA, in 1870; is a carpenter Jean Sweningsen-shows d. 12 Jul 1898, Marion, KS BIRTH: Letter from Carol Aldrich, Tulsa, OK, to Ray Sears, Duncan, OK; 1675-1989; Letter dtd 18 May 1994; ; copy in poss of Ray Sears, Duncan, OK; His brother Smith married her sister Cordelia. She says his b. date was Aug 1857. Lucille Hanson shows d. 10 Apr 1917, Occupation: carpenter, machine shop employee DIED: Soldier's Home DIVORCED: from Mary Sears 1885, Marion co, KS

- f III. **Lois Ann Sears**{ XE "Sears:Lois Ann (1836–1846)" \f "Name" \b } was born in Camden{ XE "USA, New York, Oneida, Camden:(43.3345° N, 75.748° W):Sears, Lois Ann (1836–1846)" \f "Place" } on 29th October 1836. She died in Dundee, Kane, Illinois,{ XE "USA, Illinois, Kane, Dundee:(42.0976° N, 88.2786° W):Sears, Lois Ann (1836–1846)" \f "Place" } on 20th September 1846, at the age of 9.

- m IV. **John Michael Sears**{ XE "Sears:John Michael (1839–1883)" \f "Name" \b } was born in Reading Twp, Hillsdale, Michigan,{ XE "USA, Michigan, Hillsdale, Reading Twp:(41.8395° N, 84.748° W):Sears, John Michael (1839–1883)" \f "Place" } on 9th March 1839.^[149, 152, 169, 170, 171, 172–173] He served in the military in Illinois{ XE "USA, Illinois:(39.7333° N, 88.5° W):Sears, John Michael (1839–1883)" \f "Place" } on 24th May 1861.^[172]



John

John Michael died in Schaller, Sac, Iowa,{ XE "USA, Iowa, Sac, Schaller:(42.4997° N, 95.293° W):Sears, John Michael (1839–1883)" \f "Place" } on 9th July 1883, at the age of 44.^[152] He was buried in Schaller{ XE "USA, Iowa, Sac, Schaller:(42.4997° N, 95.293° W):Sears, John Michael (1839–1883)" \f "Place" }.^[152]

¹⁶⁹ Ancestry.com, 1900 United States Federal Census (Provo, UT, USA, Ancestry.com Operations Inc, 2004), Ancestry.com, Year: 1900; Census Place: Eureka, Sac, Iowa; Roll: 457; Page: 2A; Enumeration District: 0121; FHL microfilm: 1240457.

¹⁷⁰ Ancestry.com and The Church of Jesus Christ of Latter-day Saints, 1880 United States Federal Census (Provo, UT, USA, Ancestry.com Operations Inc, 2010), Ancestry.com, Year: 1880; Census Place: Eureka, Sac, Iowa; Roll: 362; Family History Film: 1254362; Page: 156B; Enumeration District: 185.

¹⁷¹ Ancestry.com, Iowa, Select Marriages, 1809-1992 (Provo, UT, USA, Ancestry.com Operations, Inc, 2014), Ancestry.com.

More facts and events for John Michael Sears:

- Residence: 1880 Eureka{ XE "USA, Iowa, Sac, Eureka:(40.7656° N, 95.8375° W):Sears, John Michael (1839-1883)" \f "Place" }^[170]
 Marital Status: Married; Relation to Head: Self
- Residence: 1900 Eureka{ XE "USA, Iowa, Sac, Eureka:(40.7656° N, 95.8375° W):Sears, John Michael (1839-1883)" \f "Place" }^[169]
 Marital Status: Widowed; Relation to Head of House: Father
- Residence: Algonquin, Kane, Illinois{ XE "USA, Illinois, Kane, Algonquin:(42.1499° N, 88.3238° W):Sears, John Michael (1839-1883)" \f "Place" }^[172]

At the age of 24, John Michael Sears married **Mary Ellen Crowder**{ XE "Crowder:Mary Ellen (1843-)" \f "Name" \b \i } on Friday, 3rd July 1863, in Rome, Jefferson, Wisconsin,{ XE "USA, Wisconsin, Jefferson, Rome:(42.9803° N, 88.6312° W):Sears, John Michael (1839-1883)" \f "Place" } when she was 20 years old.^[149, 170, 171, 173, 174]

They had nine children: Alma (1864-1911), Mary (1866-), Jessie (1867-1946), Mattie (1871-1873), John (1875-1903), Frank (1876-1948), Walter (1879-), Elmer (1880-1951) and Vivia (1883-). Mary Ellen was born in Rome{ XE "USA, Wisconsin, Jefferson, Rome:(42.9803° N, 88.6312° W):Crowder, Mary Ellen (1843-)" \f "Place" } on Saturday, 7th January 1843.^[170, 174] She was the daughter of F Q Crowder{ XE "Crowder:F Q" \f "Name" \i } and Mary --Crowder{ XE "--Crowder:Mary" \f "Name" \i }.

- m V. **Darius Martin Sears**{ XE "Sears:Darius Martin (1842-1843)" \f "Name" \b } was born in Reading{ XE "USA, Michigan, Hillsdale, Reading:(41.8395° N, 84.748° W):Sears, Darius Martin (1842-1843)" \f "Place" } on 20th July 1842. He died on 3rd April 1843.
- m VI. **Henry Bela Sears**{ XE "Sears:Henry Bela (1844-1923)" \f "Name" \b } was born in Reading{ XE "USA, Michigan, Hillsdale, Reading:(41.8395° N, 84.748° W):Sears, Henry Bela (1844-1923)" \f "Place" } on 29th March 1844.^[150, 152, 175, 176, 177, 178, 179-180] He served in the military between 1861 and 1865.^[178] Henry Bela served in the military on 15th March 1862.^[178]
- He died in 1923 at the age of 78.^[152] Henry Bela was buried in Toledo, Lucas, Ohio{ XE "USA, Ohio, Lucas, Toledo:(41.6639° N, 83.5552° W):Sears, Henry Bela (1844-1923)" \f "Place" }.^[152]

¹⁷² Historical Data Systems, comp, U.S., Civil War Soldier Records and Profiles, 1861-1865 (Provo, UT, USA, Ancestry.com Operations Inc, 2009), Ancestry.com.

¹⁷³ Ancestry.com, U.S., Social Security Applications and Claims Index, 1936-2007 (Provo, UT, USA, Ancestry.com Operations, Inc., 2015).

¹⁷⁴ Ancestry.com, 1850 United States Federal Census (Provo, UT, USA, Ancestry.com Operations, Inc., 2009), Ancestry.com, Year: 1850; Census Place: Sullivan, Jefferson, Wisconsin; Roll: M432_1000; Page: 192B; Image: 382. [Source citation includes one media item]

¹⁷⁵ Ancestry.com and The Church of Jesus Christ of Latter-day Saints, 1880 United States Federal Census (Provo, UT, USA, Ancestry.com Operations Inc, 2010), Ancestry.com, Year: 1880; Census Place: Toledo, Lucas, Ohio; Roll: 1044; Family History Film: 1255044; Page: 455D; Enumeration District: 047.

¹⁷⁶ Ancestry.com, 1910 United States Federal Census (Provo, UT, USA, Ancestry.com Operations Inc, 2006), Ancestry.com, Year: 1910; Census Place: Toledo Ward 7, Lucas, Ohio; Roll: T624_1207; Page: 5B; Enumeration District: 0084; FHL microfilm: 1375220.

¹⁷⁷ Ancestry.com, 1900 United States Federal Census (Provo, UT, USA, Ancestry.com Operations Inc, 2004), Ancestry.com, Year: 1900; Census Place: Toledo Ward 10, Lucas, Ohio; Roll: 1298; Page: 7B; Enumeration District: 0079; FHL microfilm: 1241298.

¹⁷⁸ Ancestry.com, Web: Illinois, Databases of Illinois Veterans Index, 1775-1995 (Provo, UT, USA, Ancestry.com Operations, Inc., 2015), Ancestry.com.

¹⁷⁹ Ancestry.com, 1920 United States Federal Census (Provo, UT, USA, Ancestry.com Operations Inc, 2010), Ancestry.com, Year: 1920; Census Place: Toledo Ward 7, Lucas, Ohio; Roll: T625_1409; Page: 15B; Enumeration District: 88.

¹⁸⁰ Ancestry.com, Ohio, County Marriages, 1774-1993 (Lehi, UT, USA, Ancestry.com Operations, Inc., 2016), Ancestry.com.

More facts and events for Henry Bela Sears:

- Residence: 1880 Toledo{ XE "USA, Ohio, Lucas, Toledo:(41.6639° N, 83.5552° W):Sears, Henry Bela (1844–1923)" \f "Place" }^[175]
 Marital Status: Married; Relation to Head: Self
- Residence: 1900 Ward 10, Toledo{ XE "USA, Ohio, Lucas, Toledo, Ward 10: :Sears, Henry Bela (1844–1923)" \f "Place" }^[177]
 Marital Status: Married; Relation to Head: Head
- Residence: 1910 Ward 7{ XE "USA, Ohio, Lucas, Toledo, Ward 7: :Sears, Henry Bela (1844–1923)" \f "Place" }^[176]
 Marital Status: Married; Relation to Head of House: Head
- Residence: 1920 Ward 7{ XE "USA, Ohio, Lucas, Toledo, Ward 7: :Sears, Henry Bela (1844–1923)" \f "Place" }^[179]
 Relation to Head: Head; Residence Marital Status: Married
- Residence: Rome, Jefferson, Wisconsin{ XE "USA, Wisconsin, Jefferson, Rome:(42.9803° N, 88.6312° W):Sears, Henry Bela (1844–1923)" \f "Place" }^[178]
 Marital Status: Single

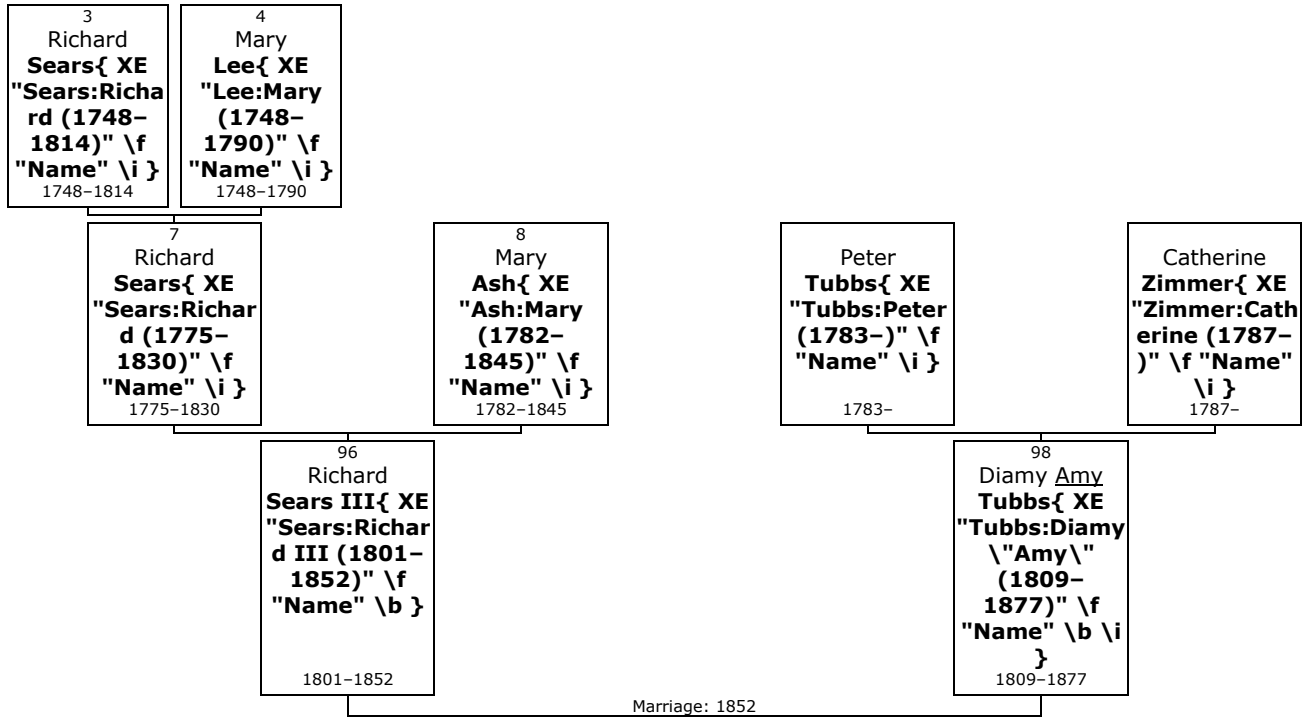
At the age of 25, Henry Bela Sears married **Louisa Lou Hunter**{ XE "Hunter:Louisa \"Lou\" (1849–1869)" \f "Name" \b \i } on Tuesday, 28th September 1869, in Maumee, Lucas, Ohio,{ XE "USA, Ohio, Lucas, Maumee:(41.5628° N, 83.6538° W):Sears, Henry Bela (1844–1923)" \f "Place" } when she was 20 years old.^[175–177, 179–180] They had three children: Walter (1873–1873), Hessie (1877–1881) and Lucius (1878–1963).

Lou was born in Maumee{ XE "USA, Ohio, Lucas, Maumee:(41.5628° N, 83.6538° W):Hunter, Louisa \"Lou\" (1849–1869)" \f "Place" } on Tuesday, 20th February 1849.^[175–177, 179] She reached 20 years of age and died on 29th September 1869.

!BIRTH: Letter from Carol Aldrich, Tulsa, OK, to Ray Sears, Duncan, OK; 1675-1989; Letter dtd 18 May 1994; ; copy in poss of Ray Sears, Duncan, OK; JAS-Retired 1914 after 51 years with Lake Shore and Michigan Southern RR, lived Toledo, OH, newspaper notice of retirement.

- m VII. **George Evernett Sears**{ XE "Sears:George Evernett (1848–)" \f "Name" \b } was born in Dundee, Kane, Illinois,{ XE "USA, Illinois, Kane, Dundee:(42.0976° N, 88.2786° W):Sears, George Evernett (1848–)" \f "Place" } on 23rd May 1848.

Family of Richard Sears and Amy Tubbs{ TC "Richard Sears and Amy Tubbs" \I 4 \f C}



Here are the details about **Richard Sears III's**{ XE "Sears:Richard III (1801-1852)" \f "Name" \b } second marriage, with Diamy Amy Tubbs. You can read more about Richard on page 117.

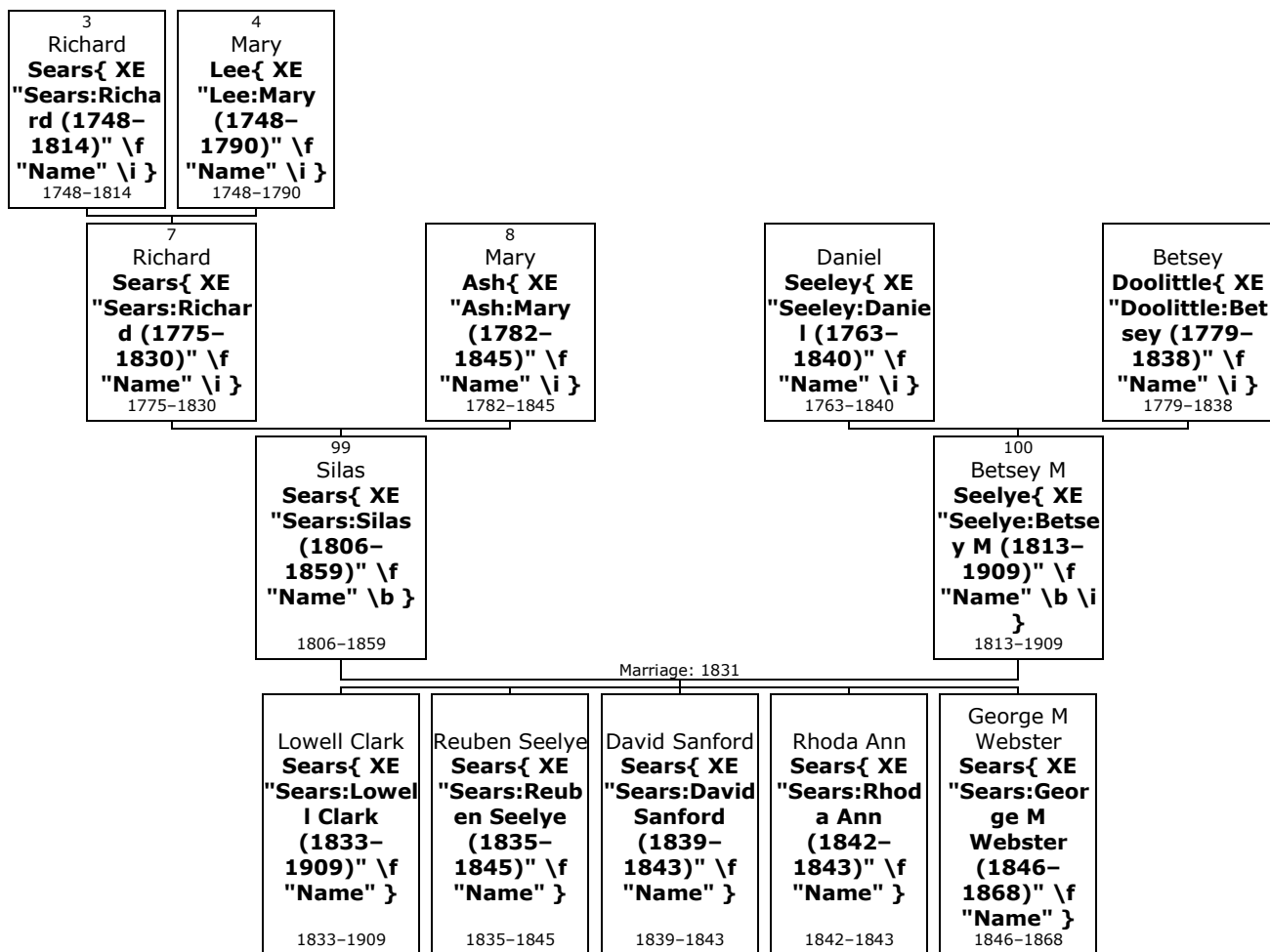
- 98.** At the age of 50, Richard Sears III married **Diamy Amy Tubbs**{ XE "Tubbs:Diamy \"Amy\" (1809-1877)" \f "Name" \b \i } on Tuesday, 20th January 1852, in Kane, Illinois,{ XE "USA, Illinois, Kane:(41.9356° N, 88.4324° W):Sears, Richard III (1801-1852)" \f "Place" } when she was 42 years old. They had no known children.

Amy was born in Schoharie, New York,{ XE "USA, New York, Schoharie:(42.591° N, 74.4394° W):Tubbs, Diamy \"Amy\" (1809-1877)" \f "Place" } on Saturday, 30th September 1809. She was the daughter of Peter Tubbs{ XE "Tubbs:Peter (1783-)" \f "Name" \i } and Catherine Zimmer{ XE "Zimmer:Catherine (1787-)" \f "Name" \i }.

Amy reached 67 years of age and died in Jefferson{ XE "USA, New York, Jefferson:(43.994° N, 76.0543° W):Tubbs, Diamy \"Amy\" (1809-1877)" \f "Place" } on 18th February 1877.

!Jean Sweningsen- Her fathers will shows "Diana".

Family of Silas Sears and Betsey Seelye{ TC "Silas Sears and Betsey Seelye" \I 3 \f C}



99. **Rev Silas⁵ Sears**{ XE "Sears:Silas (1806-1859)" \f "Name" \b } (*Richard⁴, Sergt Richard³, Silas²*) was born on Friday, 8th August 1806, in Rome, Oneida, New York, USA{ XE "USA, New York, Oneida, Rome:(43.2129° N, 75.4557° W):Sears, Silas (1806-1859)" \f "Place" }.^[181, 182] He was the son of Richard Sears{ XE "Sears:Richard (1775-1830)" \f "Name" \i } (7) and Mary Ash{ XE "Ash:Mary (1782-1845)" \f "Name" \i } (8).

Silas died in Rome, Jefferson, Wisconsin,{ XE "USA, Wisconsin, Jefferson, Rome:(42.9803° N, 88.6312° W):Sears, Silas (1806-1859)" \f "Place" } on 20th August 1859, at the age of 53.^[181, 182] He was buried at Crowders Cemetery in Rome{ XE "USA, Wisconsin, Jefferson, Rome:(42.9803° N, 88.6312° W):Sears, Silas (1806-1859)" \f "Place" }.^[182]

!S.P. May p.457, No 1921, On the 22d Oct 1843, Mr Sears with his wife and four children removed from Camden, NY to Rome, Jefferson co., WI. They suffered greatly from the lateness and rigor of the season, and lost two children by small-pox. Settled in their new home they had a severe struggle to maintain themselves for the first two years, until they could get the ground cleared, and crops planted and harvested. In 1858, at the request of her pastor, Mrs Sears wrote a long and pathetic account of their trials and tribulations, which was read to the Sunday School in Rome, WI, and which I much regret not having space to print here. Mr Sears was for many years an honored local preacher in the Methodist Church.

<https://www.wikitree.com/wiki/Sears-6120>

¹⁸¹ Ancestry.com, North America, Family Histories, 1500-2000 (Provo, UT, USA, Ancestry.com Operations, Inc., 2016), Ancestry.com, Book Title: Lineage Book : NSDAR : Volume 096 : 1912. [Source citation includes one media item]

¹⁸² Ancestry.com, U.S., Find A Grave Index, 1600s-Current (Provo, UT, USA, Ancestry.com Operations, Inc., 2012), Ancestry.com.

!
!BIRTH: Letter from Carol Aldrich, Tulsa, OK, to Ray Sears, Duncan, OK; 1675-1989; Letter dtd 18 May 1994; ; copy in poss of Ray Sears, Duncan, OK; Ms. Seeley was his second wife. These are probably by his first wife. He and Ms Seeley had 9 children. He was a minister in the Methodist church. Died age 53 years 25 days. BURIED: Crowder Cemetery

!
!OBITUARY: Letter from Carol Aldrich, Tulsa, OK, to Ray Sears, Duncan, OK; 1870-1989; Letter dtd 5 Jul 1994; ; copy in poss of Ray Sears, Duncan, OK;

!
!From the Jefferson Co Union: 1921 Residence, Etc On the 22nd of October, 1843, Mr Sears, with his wife and four children removed from Camden, NY, to Jefferson co, WI. They suffered greatly from the lateness and rigor of the season, and lost two children by small-pox. Settled in their new home, they had a severe struggle to maintain themselves for the first two years. In 1858 Mrs Sears wrote a long and pathetic account of their trials and tribulations, which was read to the Sunday School in Rome, WI. Parts of this story were published in 1880 in the "History of Jefferson County." The original was probably never returned to her as it has become lost to the family. Mr Sears located in what is now the town of Sullivan, Jefferson co, WI, 2 Jan 1844. Built the first tavern in the village of Rome in 1848. Sold it to Peter Tubbs, probably in '52 or '53, and bought a farm west of Rome where he died in 1859. Mr Sears was for many years an honored local preacher in the Methodist Church.

!
!MEMORIES On receiving a copy of "The Days of Modern Rome," Millard Seely wrote as follows; "But the Oak and Maples sing: "Twist ye, twine ye: even so, Mingle shades of joy and woe, Hope, and fear, and peace, and strife, In the thread of human life. While the mystic twist is spinning, And the infant's life beginning, Dimly seem through twilight bending, Lo, what varied shapes attending! Passions wild, and follies vain, Pleasures soon exchanged for pain; Doubt, and jealousy, and fear, In the magic dance appear. Now they wax, and now they dwindle, Whirling with the whirling spindle. Twist ye, twine ye! even so, Mingle human bliss and woe. 'Scott. "There is one thing I must tell you about your grand-father (Rev Silas Sears)-- I don't think he ever had an enemy. He was a good, Christian man. "You spoke about the stone walk on your father's old place. Aunt Betsey Sears laid that walk with her own hands. Millard Seely.

!
From: Carol [mailto:Carola9@prodigy.net] Sent: Sunday, December 30, 2001 2:35 PM To: SEARS-L@rootsweb.com

!Subject: Joseph Sears (1843-1912) In Rome, WI, it was actually started by the Seeley family, but one of the Seeleys was married to a Sears, and many Sears family members were prominent members of the community (Justice of the Peace, etc), and others were always coming through to add to the community. My great grandma Sears was one of 5 sisters, all of whom were teachers in town.

100. At the age of 24, Silas married **Betsey M Seelye**{ XE "Seelye:Betsey M (1813-1909)" \f "Name" \b \i } on Thursday, 17th February 1831, in Westmoreland, Oneida, New York,{ XE "USA, New York, Oneida, Westmoreland:(43.1161° N, 75.4042° W):Sears, Silas (1806-1859)" \f "Place" } when she was 17 years old. They had five children: Lowell (1833-1909), Reuben (1835-1845), David (1839-1843), Rhoda (1842-1843) and George (1846-1868).

Betsey M was born in Westmoreland{ XE "USA, New York, Oneida, Westmoreland:(43.1161° N, 75.4042° W):Seelye, Betsey M (1813-1909)" \f "Place" } on Tuesday, 31st August 1813. She was the daughter of Daniel Seeley{ XE "Seeley:Daniel (1763-1840)" \f "Name" \i } and Betsey Doolittle{ XE "Doolittle:Betsey (1779-1838)" \f "Name" \i }.

Betsey M reached 95 years of age and died in Star, La Farge, Vernon, Wisconsin,{ XE "USA, Wisconsin, Vernon, La Farge, Star: :Seelye, Betsey M (1813-1909)" \f "Place" } on 17th May 1909. She was buried in Stark Twp{ XE "USA, Wisconsin, Vernon, Stark Twp:(43.5956° N, 90.6097° W):Seelye, Betsey M (1813-1909)" \f "Place" }.

!Jean Sweningsen-History of Sullivan Town N (Jefferson co, WI) CONFLICT: Death date also 1901!

!
!BIRTH: Letter from Carol Aldrich, Tulsa, OK, to Ray Sears, Duncan, OK; 1675-1989; Letter dtd 18 May 1994; ; copy in poss of Ray Sears, Duncan, OK; She was one of 18 children. Included is a story she wrote in 1858 for a book printed in 1880 titled "The History of Jefferson County." Some of the story is in the narrative of the Sears Family written by Lottie Cartwright, but her version is also included. Update added later. I have more. !DEATH: Conflict - Carol Aldrich shows d. 1901. !BURIAL: Letter from Carol Aldrich, Tulsa, OK, to Ray Sears, Duncan, OK; 1675-1989; Letter dtd 5 Jul 1994; ; copy in poss of Ray Sears, Duncan, OK; Dan Seeley found out from the Vernon Historical Society that Betsey was buried in Chapel Hill Cemetery, Stark Twp, WI page 24, row 14. Her brother and two of his kids are also buried there. There's a quilt made by Betsey Sears on display in a museum in CA. It's been appraised at \$30,000. possib m.

to Mr Bicknell- History of Sullivan Town, Jefferson, WI !
!A TERRIBLE EXPERIENCE TAKEN FROM A BOOK TITLED HISTORY OF JEFFERSON COUNTY
BEGINNING PAGE 521 AS WRITTEN BY BETSY SEELEY SEARS In the quiet village of Rome lives
an aged lady, athwart whose path of life has fallen a multitude of sorrows. Everyone knows "Aunt Betsy"
Sears. She is sixty-four years of age, and lives alone in a neat little room, over the door of which, on the
outside, is this sign: "Job Printer." In one corner of the room are three or four cases of type, each letter
standing on end. "Aunt Betsy" has never "learned the boxes," as types are ordinarily "laid" but has a
system of her own, as unique as it is original. She never saw any one "set type," and does not even know
the advantage of using a "rule." Nevertheless she has managed to acquire a sufficient knowledge of the art
of printing to enable her to "print a job with neatnes and dispatch," and she frequently has card and circular
work to perform for the businessmen of Rome. She "empties her stick by sliding the type from the open
portion of that instrument upon a piece of tin, from which it is transferred to a wooden box half and inch
deep, and then, "keyed up," as she expresses it. The ink is then applied with a "brayer" almost as old as
"Aunt Betsy's" business card, written and printed by herself: MRS. B. M. SEARS
JOB PRINTER JEFFERSON STREET, ROME. WISC. -To the north
the fifth door From Frank Giffords store You will find the old
lady is living, All alone by herself, For the sake of the pelf,
Attention to buisness she's giving. Some years ago Mrs. Sears wrote an account of the trials and
tribulations experienced by herself and family when they came to Wisconsin. It is a true picture of pioneer
life, vividly portrayed, and full of the sad impressions that only can be wrought upon the minds of those
who braved the dangers and trials of early days and suffered the adversities that beset the pioneer in
almost every clime. The extensive length of the paper will not admit of it's publication in it's entirety in
these already overcrowded pages, but most of the essential parts are given: On the 22nd of October, 1843,
we left our former home in the town of Camden, County of Oneida, State of New York, with our four little
children, to go to the Far West. Arriving at Buffalo, we found that no vessel was going through to Milwaukee
short of three or four days, but the "Julia Palmer" was about to sail for Detroit, and were induced to take
passage upon her. We were told that we would find plenty of boats at Detroit that would take us through
to Milwaukee, but when we arrived at the Michigan metropolis, we found it necessary to wait for the same
vessels we left at Buffalo, and when they came they were so heavily loaded they could not take us on board,
and it was the last trip they were going to take. After remaining in Detroit five days, at a cost of \$
10.00, there came a man to the tavern with a team and double wagon without any cover on it. He was
accompanied by his wife, and they were going to Milwaukee. They agreed to take our family through for
\$20.00, we to bear our own expenses; so on the 3rd of November, we set out upon a journey in an open
wagon for which we were little prepared. The ground had frozen very hard the night before, and upon it had
fallen about four inches of snow. For two weeks, we had very severe weather, when it moderated and the
ground and snow thawed together; then it was nothing but mud. This we traveled around Lake Michigan
through snow and mud and rain and shine, until we reached Racine. There we heard that the smallpox
prevailed in Milwaukee, and so we hired the man to take us across the country to Prairieville (now
Waukesha). I had two brothers living at Genesee, in that direction, but when we got within three miles of
their place we heard that they also had the smallpox in both families, and had each lost a child with it.
There we were, worn out with fatigue, and my little children sick from the time we first put foot on the
steamboat at Buffalo, looking forward to an hour of rest, the society of friends and a temporary home; then
in a moment to have our hopes dashed to earth-it was too much. It seemed as though I must sink down
and die. We had then traveled eighteen days, and I had carried my little babe, twenty-two months old,
almost all the way in my lap; for it was so cold I had to keep her under my cloak. The youngest of our three
little boys were very ill, requiring the constant attention of his father, who frequently stopped by the
roadside with him, and was then compelled to run to overtake the wagon; for our teamster displayed his
kindness by refusing to stop for anything or anybody. When we stopped at night, instead of rest I had to
cook our suppers, for it would have cost all we had to live in the taverns. When we heard the terrible news
of my brothers misfortunes, we stopped at a house on the road and had our children vaccinated. We
renained over night in the house with a very kind family. I shall never forget how I felt when the good
mother spread awarm biscuit with butter and divided it among my half-starved children. It brought the
tears of joy to my eyes. It was the first morsel, except one, that they had received without money, in five
weeks. In the morning, my husband set out for my brothers' homes, but before reaching there
he met one of them going to Prarieville. They were overjoyed to learn of our safe arrival. They had
expected us three weeks before, not having any intelligence of us, had given us up for lost, and believed
we were drowned while crossing the lake. My brother said there was no danger of our taking the smallpox;
as they were well of it, and had thoroughly disinfected their houses. So we went home with him, but it
seemed to me as if I was carrying my children to the grave. When we arrived, we found that his wife was
nursing a lady with the disease, and therefore we were right in the midst of it. Within nine days, I was
taken with varioloid; two days later my little girl was taken sick, and the next day our youngest boy took his
bed with the terrible disease. The day before I was taken, my husband started off to look for a farm, and,

as he remained away longer than we expected he would, we began to feel uneasy about him. When we started from Detroit, we gave orders to have our goods sent to Milwaukee on a schooner, but up to the time we were taken down with the smallpox, we had not heard anything from them. Never before nor since have I experienced such feelings of sorrow and misery. Three of us sick with a dreadful disease, my husband absent, I knew not where, and every indication that our meager stock of clothing and bedding had been lost on the lake. While I lay groaning in my utter wretchedness, this thought occurred to my mind:

"The darkest time, I have heard them say, Is just before the break of day." I stopped weeping and began to hope. Thought I, it may be it that my husband is safe; the children are not dead yet, and possibly, some lucky wave may waft our goods ashore. That day, my husband came home; the children began to appear better, and my brother came from Milwaukee and said he had found our goods and that they were on the way home. I began to take courage and think that all would yet be well. But alas! how soon are blooming hopes cut off. On Wednesday, my husband came home full of bright prospects. He had found a good location, and had stayed and put up a house, calculating to move his family into it the next Monday, little dreaming of what situation we were in at home. When he came, there we were in a pile, three of us in one bed, and nine of us in a little shanty 12 by 14 feet in size. Our two sick children looked so loathsome we could scarcely bear the sight of them. The next day, they grew worse, and on Sunday, at 11 o'clock, the little girl died; on Monday, at 12 o'clock her little brother followed her. It had always seemed to me that if I should ever lose a child, I could never let it go out of my arms, but now two of my loves were dead, and what mother cannot imagine my feelings when I looked upon their innocent faces, covered with the repulsive marks of a terrible disease? They must be hurried into the ground as quick as possible, and I not able to see them buried. But God strengthened my almost exhausted endurance, and I became resigned to my fate. I believe He is too wise to be mistaken, too good to be unkind.

Two weeks from the day my little boy died, we started, in company with the family of my brother, Davis Seely, for Bark Woods. By some means, the teams took different roads, and we became separated. Our team came through Waterville, while my brother's went through the bluffs. I was very feeble from my recent sickness, and everything seemed to conspire against us as we wended our way through the woods, with no guide save now and then a freshly marked tree. At the end of the second day, we reached our destination; but what had become of my brother and his family? This annoyed us very much all night. The next day we saw Davis coming slowly through the woods but the woeful look upon his face told us plainer than words that something terrible had happened. His little four year old boy had been killed the day before by a leaning tree under which the teamster drove. We thought that our cup of sorrow was already full, but now it was running over. Picture to yourself a family of weary emigrants, looking forward with eager eyes and longing hearts to the time when they should reach their final destination, and be sheltered from the chilling rain that was descending in torrents upon them, and urging forward their jaded beasts as fast as their weary limbs and the roughness of the ground would permit. Suddenly there is a crash. Oh! what a sound to the father's ears, when, from a distance in the rear, he sees it is the head of his son. He has seen the danger and halloed to the teamster, but too late. He rushes forward and catches the lifeless body of his boy. "Oh! Mr. De Jayne," he says "you have killed my son! you have killed my son!"

Onward, through the mud and brush, he bore his bleeding child, in agony too great to give vent to tears. They found their way to a little shanty belonging to Mr. Tinney, and there watched and mourned the remainder of the night. ***** The next day, the funeral took place from Mr. Crowder's Tavern. I believe it was the first meeting of any kind ever held in these woods.

When we left my brother Dempster's on the 1st of January, 1844, he calculated to come out in a few days and bring us some provisions. Consequently, we did not fetch anything but a bag of flour and about a pound of butter that I put in my work-basket. But Dempster did not come for four weeks, and during that time, we had very short allowances. We succeeded in getting three bushels of flat turnips, at 18 pence a bushel. This was all we could get for love or money. Potatoes, there were none to be had, and as for meat, I borrowed three pounds of pork of an old settler, and I used to cut two very small slices of it and fry them, and take a little flour and water and make a sort of paste gravy with which to moisten our bread and turnips. I did not dare to cook but two turnips apiece, and they were very small, and I did not dare to peel them before they were cooked, because it would be such a waste. So, with our two turnips and bread and paste we made our breakfast, and with a little water porridge made of "middlings" and sweetened with black molasses, and very poor at that, and a slice of toasted bread, we made our dinner. For supper we had stewed dried apples and bread, and sometimes for a change, we ate our bread plain. This kind of fare lasted for four weeks, when my brother came and brought us some flour, a "porker" that weighed 160 pounds, and forty pounds of butter that we brought with us from York State. Then we had something to eat.

When we arrived at Mr. Crowder's we had but \$20.00. Our shanty had neither floor nor windows, so we were obliged to stay at the tavern till our bill amounted to \$3.00; then we had \$17.00 to live upon the rest of the year. By the last of May, we were eating our last bushel of flour. My husband had cleared a small piece of land, and he could not leave it to go out to work to get something to eat, for he must plant it or go without another year. One night, my brother came to our house on his way to Genesee. I could not sleep that night for thinking of our miserable situation. In the morning I remembered, when we moved in, we passed a

house about two miles beyond Waterville where I saw eighteen hogs plucks hanging up. It occurred to me that, if they had so many hogs, they must have something else. So I told my husband that I was going to run away. He asked me where I was going, but I told him I could not tell him where; I was going to seek my fortune. I filled my satchel with a few articles of my own manufacture, and started with my brother toward Genesee. We were all day going fourteen miles. The misquitos were so thick that we could not breathe without inhaling them, unless we had something over our faces. We got out at Mr. Davenport's (for that was where I saw the hogs' plucks) just about sundown. They gave us some supper and my brother went on. I told Mrs. Davenport I would like to stay the night with them, but she said she did not see how she could keep me. I told her I would sleep any place if she would only let me stay, and she finally consented to do so. She made a bed on the floor for one of her little girls, and I was assigned a place with her sister, who, during the night, probably mistaking me for an intruder, turned her heel battery upon me with such ferocity that I was compelled to retreat as far as the limits of the bed would permit, and there lay motionless for fear of another attack. In the morning, I began to press my suit, having laid my case before them the night before. I told them that we had just moved to the woods; that our money was all gone; our provisions were nearly exhausted, and we had no means of procuring more; that I had come out there in search of something to do that I might earn some flour. Mrs. Davenport said she had no work for me to do, but told me of several in the neighborhood who hired their sewing done. Then I exhibited the articles in my satchel--knit caps, knit edging, and some white painted standcloths. When she saw the edging, she said that was just the thing she wanted, for she had just bought a damask linen table-cloth, and wanted that to trim it with. I sold her fourteen yards of the lace and one of the standcloths, for \$3.50. Wasn't I rich then! I felt wealthier than ever before. I was fourteen miles from home, and expected to go all the way on foot, but I felt so much lighter that it was a pleasure to walk. I traveled about six miles that day, and called at every house I came to in search of work, but none could I find. Night overtook me at the house of a family named Cobb, and there I remained until the following afternoon, when Mr. Cobb took me in his wagon to the house of Mr. Churchill, where I stayed all night. In the morning I explained my business, and told of my success at Mrs. Davenport's. Mr. Churchill said he was going to Jefferson in a few days, and would get me some wheat, have it ground, and bring the flour to us. I told him I had a new pair of boots I brought from York State with me, that were too small, and that I would let him have them for his wife to pay him for his trouble. That was just the thing he wanted, so when I got ready to go, he sent his brother with a team to take me home. You may be sure there was joy in the camp when I got back and reported what I had done. In a day or two, Mr. Churchill came along; going to Jefferson, and took my money (which amounted to \$4.00, as I had 4 schillings a man gave me for mending his coat). We had one bushel of wheat that we intended to sow, but the season was so far advanced we thought best not to waste it that way. With the \$4.00 we got eight bushels of beautiful winter wheat ground and fetched to our door (and the one we had made nine bushels), all paid for and Mr. Churchill allowed us 3 shillings in cash to boot for the boots. This lasted till almost harvest, and Mr. Churchill gave us an order for a barrel of flour at Jefferson, and that held out till corn was ripe, and then we had johnny-cake of our own raising. The following spring, I painted a table-cloth for Mrs. Davenport, for which he paid me \$1.00 and on my way home I met a man (Mr. Sawyer, of the Sawyer House, Jefferson) who had some hams to sell and with my dollar I bought a small one, which lasts us till summer, for I did not dare to cook a piece of it unless a traveler came along and wanted to buy a meal. When the ham gave out, we had 40 cents, all in cash, and my husband took it and went to Melinda's Prarie, and boijght five pounds of pork. The first cow we had cost us \$11.00. The man from whom we bought her owed us \$5.00, and I sold him my shawl and a fine large pair of tailors shears to finish paying for her. The first pig we had cost us \$1.00. It was about the size of a cat and my husband carried it in a bag from Golden Lake, a distance of about eight miles. In September, 1845, our second son, ten years old, took a very severe cold and almost choked to death before we could reach a doctor with him. The nearest physician lived at Golden Lake, and when we got there with our dying child, he was away. Returning the next day, he said he could do nothing for him, and at 9 o'clock the little sufferer passed away. My heart, still bleeding from my former berevement, was now torn open afresh. I thought the past was nothing compared with this; for it seemed my affections had been doubly entwined about our two boys after the others had been snatched from us. An awful task now lay before us; we must return to our friends with our dead boy. The doctor's daughter and her husband returned with us and remained till after the funeral. Two or three weeks later, my husband was taken with the ague, and was not able to do a days work for three months. The only son who had been spared to me and myself had to harvest the corn and draw in the potatoes and turnips and prepare our winter's wood. On the 20th November 1846, a little Badger boy, weighing eleven pounds, came to our fireside. Before I close this narrative, I will give you a little sketch of the commencement of religious meetings in these woods. When we moved in, there was a man and his wife here who were professors of religion. My brother Davis, my husband and myself completed the little band of five. We began our prayer-meetings soon after we arrived, and have kept them pretty much ever since. The first sermon that was ever preached in this place (the town of Sullivan) was by Brother Allen, a Methodist colporteur, at our house. The first regular preacher we had was Hiram Frinck, and the first quarterly meeting was held in my brother's saw mill.

Your friend and well wisher, Betsy M. Sears

!

!From the Jefferson Co Union 1921 RESIDENCE, Etc Mrs Betsey M Sears married Mr Bicknell in 1881 r 82, removed to Johnston, WI in the fall of '83; parted from Mr Bicknell, and removed to Star, WI, March 1868; after George died she removed to Rome, WI, Sept, spent a year on George's claim near Rolfe, IA, 1870-71; returned to Rome, and bought a house there probably in 1872; sold house, removed to Star, 6 Nov 1885; to Rome, WI, 20 Mar 1891; returned to Star 18 Oct 1892. She bought a home in Star in April 1887, which she owned until shortly before her death. Mrs Sears died at Star (La Farge) 17 May 1901, over 41 years after the death of Silas, living alone much of the time after George died in 1868. It was from 3 Apr 1899(sic) to 14 Mar 1891, that Mrs Nelson lived with her occasionally, at Star; Mrs Sears maintained herself, with occasional help from her son Lowell, until she was granted a pension in 1882 as the mother of Geo W. At one time she had a small printing press; in 1880, she printed a pamphlet of poems, original and selected. Her needlework was artistic and beautiful though unique and original, for she made her own patterns and designs. Probably many specimens of her needlework are still in the communities where she resided, besides those in the possession of her granddaughters. Her sight failed gradually and she was at last obliged to give up her beloved needlework. She was totally blind for several months prior to her death.

Children of Silas Sears and Betsey M Seelye:

m I. **Lowell Clark⁶ Sears**{ XE "Sears:Lowell Clark (1833-1909)" \f "Name" \b } was born in Camden{ XE "USA, New York, Oneida, Camden:(43.3345° N, 75.748° W):Sears, Lowell Clark (1833-1909)" \f "Place" } on 13th May 1833.^[183, 184] He served in the military in Wisconsin{ XE "USA, Wisconsin:(44.775° N, 88.1417° W):Sears, Lowell Clark (1833-1909)" \f "Place" } on 16th November 1863.^[184]



Lowell

Lowell Clark died in Rome{ XE "USA, Wisconsin, Jefferson, Rome:(42.9803° N, 88.6312° W):Sears, Lowell Clark (1833-1909)" \f "Place" } on 31st May 1909, at the age of 76. He was buried in Rome{ XE "USA, Wisconsin, Jefferson, Rome:(42.9803° N, 88.6312° W):Sears, Lowell Clark (1833-1909)" \f "Place" } on 3rd June 1909.

More facts and events for Lowell Clark Sears:

Residence: 1880 Sullivan{ XE "USA, Wisconsin, Jefferson, Sullivan:(43.0128° N, 88.5882° W):Sears, Lowell Clark (1833-1909)" \f "Place" }^[183]
Marital Status: Married; Relation to Head: Self

Residence: Rome{ XE "USA, Wisconsin, Jefferson, Rome:(42.9803° N, 88.6312° W):Sears, Lowell Clark (1833-1909)" \f "Place" }^[184]

At the age of 23, Lowell Clark married **Catherine Bornheimer**{ XE "Bornheimer:Catherine (1833-1908)" \f "Name" \b \i } on Thursday, 5th February 1857, in Rome{ XE "USA, Wisconsin, Jefferson, Rome:(42.9803° N, 88.6312° W):Sears, Lowell Clark (1833-1909)" \f "Place" } when she was 23 years old.^[183] They had six daughters: Rhoda (1858-), Lottie (1860-1940), Emma (1862-1870), Nellie (1866-1953), Clara (1870-1932) and Bertha (1873-1949).

Catherine was born in Darmstadt, Hessen, Germany,{ XE "Germany, Hessen, Darmstadt:(49.8706° N, 8.6494° E):Bornheimer, Catherine (1833-1908)" \f "Place" } on Sunday, 4th August 1833.^[183]

She was the daughter of Matthais Bornheimer{ XE "Bornheimer:Matthais" \f "Name" \i } and Agnes Hammer{ XE "Hammer:Agnes" \f "Name" \i }. Catherine reached 74 years of age and died in Rome{ XE "USA, Wisconsin, Jefferson, Rome:(42.9803° N, 88.6312° W):Bornheimer, Catherine (1833-1908)" \f "Place" } on 17th June 1908. She was buried

¹⁸³ Ancestry.com and The Church of Jesus Christ of Latter-day Saints, 1880 United States Federal Census (Provo, UT, USA, Ancestry.com Operations Inc, 2010), Ancestry.com, Year: 1880; Census Place: Sullivan, Jefferson, Wisconsin; Roll: 1430; Family History Film: 1255430; Page: 232D; Enumeration District: 176.

¹⁸⁴ Historical Data Systems, comp., American Civil War Soldiers (Provo, UT, USA, Ancestry.com Operations Inc, 1999), Ancestry.com, Side served: Union; State served: Wisconsin; Enlistment date: 16 Nov 1863.

in Rome{ XE "USA, Wisconsin, Jefferson, Rome:(42.9803° N, 88.6312° W):Bornheimer, Catherine (1833–1908)" \f "Place" } on 21st June 1908.

!S P May p.547 Came to America with her father in 1840. Canton Werstadt, not sure about this

!BIRTH: Letter from Carol Aldrich, Tulsa, OK, to Ray Sears, Duncan, OK; 1675-1989; Letter dtd 18 May 1994; ; copy in poss of Ray Sears, Duncan, OK; Name was also known as Freudmadder. She was disowned by her Catholic parents for marrying outside the faith. Her family settled in New York state. When they moved to WI she walked so the load would be lighter for the oxen. She was 14. After Lowell went off to war, she earned \$600 by doing odd jobs, and gave it to Frank Aldrich for their old age and burial if need be. She gathered some little red, white, and blue stones to make a walk with the Presidential seal, it's still there in Rome. Source, Mary Elizabeth Armstrong, 23 Feb 1977 Buried Crowder's Cemetery.

!OBITUARY: Letter from Carol Aldrich, Tulsa, OK, to Ray Sears, Duncan, OK; 1870-1989; Letter dtd 5 Jul 1994; ; copy in poss of Ray Sears, Duncan, OK; Mrs Catherine Bornheimer Sears, wife of Lowell C Sears died at her home in the village of Rome, 17 Jun 1908. She was born in Hesse, Darmstadt, Germany 2 Aug 1833 and came to this country in early childhood. She lived in PA for about ten years and has been in WI sixty years. She was married to Lowell Clark Sears, 5 Feb 1857, and to them were born six daughters; Rhoda A Foljan; Lottie M, wife of P W Cartwright; Emma K; Nellie M wife of R M Roberts; Clara Holcomb; Bertha E wife of C W Aldrich, all of whom are living except Emma Katie who died 18 Apr 1870. One daughter, Mrs P W Cartwright, of Pasadena, CA, was unable to be with her during her brief illness of three weeks. Besides her husband and daughters she leaves four granddaughters, eight grandsons, two sisters, a brother, and nieces and nephews to mourn her loss. The large gathering at the funeral services at the home Sunday, 21 Jun, bore testimony of the high esteem her long, faithful, honest and industrious life has won in the community. For several months past Mrs Sears had been failing in health, resulting from an attack of is(?) grippe. She was much beloved for her kindness of heart and friendly interest in the welfare of others. She will be greatly missed by her husband to whom she was an affectionate and devoted mother, and by a large circle of friends, who knew and loved her for her many sterling qualities. There were present from a distance: Mrs Mary Frohmader, A F Frohmader, Sparta, WI; Matthias Suhr and wife, Sr, Mrs Adam Suhr, Cashton; and G M Frohmader, Camp Douglas, WI.

?? Line 192: (New PAF RIN=20)

1 BIRT 2 SOUR Carol Aldrich, My #7738 Prodigy #AMMM01A sent information on Betsey Seeley ?? Line 193: (New PAF RIN=20)

3 CONT Sears, who is a daughter of Daniel Seeley and Betsey Doolittle. ?? Line 194: (New PAF RIN=20)

3 CONT Feb. 05, 1994 ?? Line 196: (New PAF RIN=20)

1 DEAT 2 DATE 31 APR 1908 ?? Line 199: (New PAF RIN=20)

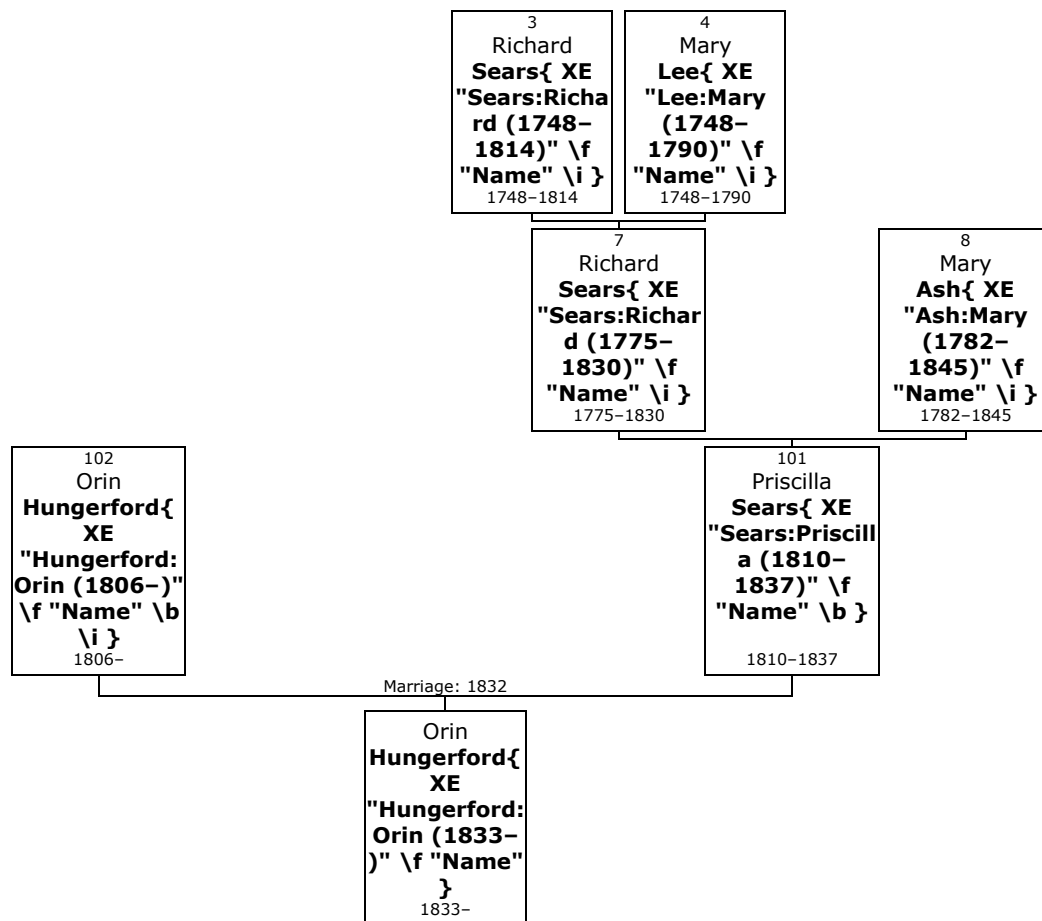
1 BURI 2 PLAC Crowders Cemetary

- m II. **Reuben Seelye Sears**{ XE "Sears:Reuben Seelye (1835–1845)" \f "Name" \b } was born in Camden{ XE "USA, New York, Oneida, Camden:(43.3345° N, 75.748° W):Sears, Reuben Seelye (1835–1845)" \f "Place" } on 24th April 1835. He died in Rome, Jefferson, Wisconsin,{ XE "USA, Wisconsin, Jefferson, Rome:(42.9803° N, 88.6312° W):Sears, Reuben Seelye (1835–1845)" \f "Place" } on 9th September 1845, at the age of 10.
- m III. **David Sanford Sears**{ XE "Sears:David Sanford (1839–1843)" \f "Name" \b } was born in Westmoreland{ XE "USA, New York, Oneida, Westmoreland:(43.1161° N, 75.4042° W):Sears, David Sanford (1839–1843)" \f "Place" } on 21st April 1839. He died in Genesee, Waukesha, Wisconsin,{ XE "USA, Wisconsin, Waukesha, Genesee:(42.9528° N, 88.3589° W):Sears, David Sanford (1839–1843)" \f "Place" } on 18th December 1843, at the age of 4.
- f IV. **Rhoda Ann Sears**{ XE "Sears:Rhoda Ann (1842–1843)" \f "Name" \b } was born in Camden{ XE "USA, New York, Oneida, Camden:(43.3345° N, 75.748° W):Sears, Rhoda Ann (1842–1843)" \f "Place" } on 24th February 1842. She died in Genesee, Waukesha,

Wisconsin, { XE "USA, Wisconsin, Waukesha, Genesee:(42.9528° N, 88.3589° W):Sears, Rhoda Ann (1842-1843)" \f "Place" } on 17th December 1843, at the age of 1.

- m V. **George M Webster Sears**{ XE "Sears:George M Webster (1846-1868)" \f "Name" \b } was born in Rome, Jefferson, Wisconsin, { XE "USA, Wisconsin, Jefferson, Rome:(42.9803° N, 88.6312° W):Sears, George M Webster (1846-1868)" \f "Place" } on 29th November 1846. He died in Star { XE "USA, Wisconsin, Star: :Sears, George M Webster (1846-1868)" \f "Place" } on 31st May 1868, at the age of 21.

Family of Priscilla Sears and Orin Hungerford{ TC "Priscilla Sears and Orin Hungerford" \I 3 \f C}



- 101. Priscilla⁵ Sears**{ XE "Sears:Priscilla (1810-1837)" \f "Name" \b } (*Richard⁴, Sergt Richard³, Silas²*) was born on Sunday, 28th January 1810, in Rome, Oneida, New York, USA { XE "USA, New York, Oneida, Rome:(43.2129° N, 75.4557° W):Sears, Priscilla (1810-1837)" \f "Place" }. She was the daughter of Richard Sears { XE "Sears:Richard (1775-1830)" \f "Name" \i } (7) and Mary Ash { XE "Ash:Mary (1782-1845)" \f "Name" \i } (8).

Priscilla died in Henderson, Jefferson, { XE "USA, New York, Jefferson, Henderson:(43.8469° N, 76.1822° W):Sears, Priscilla (1810-1837)" \f "Place" } on 7th January 1837, at the age of 26.

!BIRTH: Letter from Carol Aldrich, Tulsa, OK, to Ray Sears, Duncan, OK; 1675-1989; Letter dtd 18 May 1994; ; copy in poss of Ray Sears, Duncan, OK; S P May No 1922

<https://www.wikitree.com/wiki/Sears-6121>

- 102.** Priscilla married **Orin Hungerford**{ XE "Hungerford:Orin (1806-)" \f "Name" \b \i } on Sunday, 1st January 1832, in Rome, Oneida { XE "USA, New York, Oneida, Rome:(43.2129° N, 75.4557° W):Sears, Priscilla (1810-1837)" \f "Place" }. They had one son: Orin (1833-).

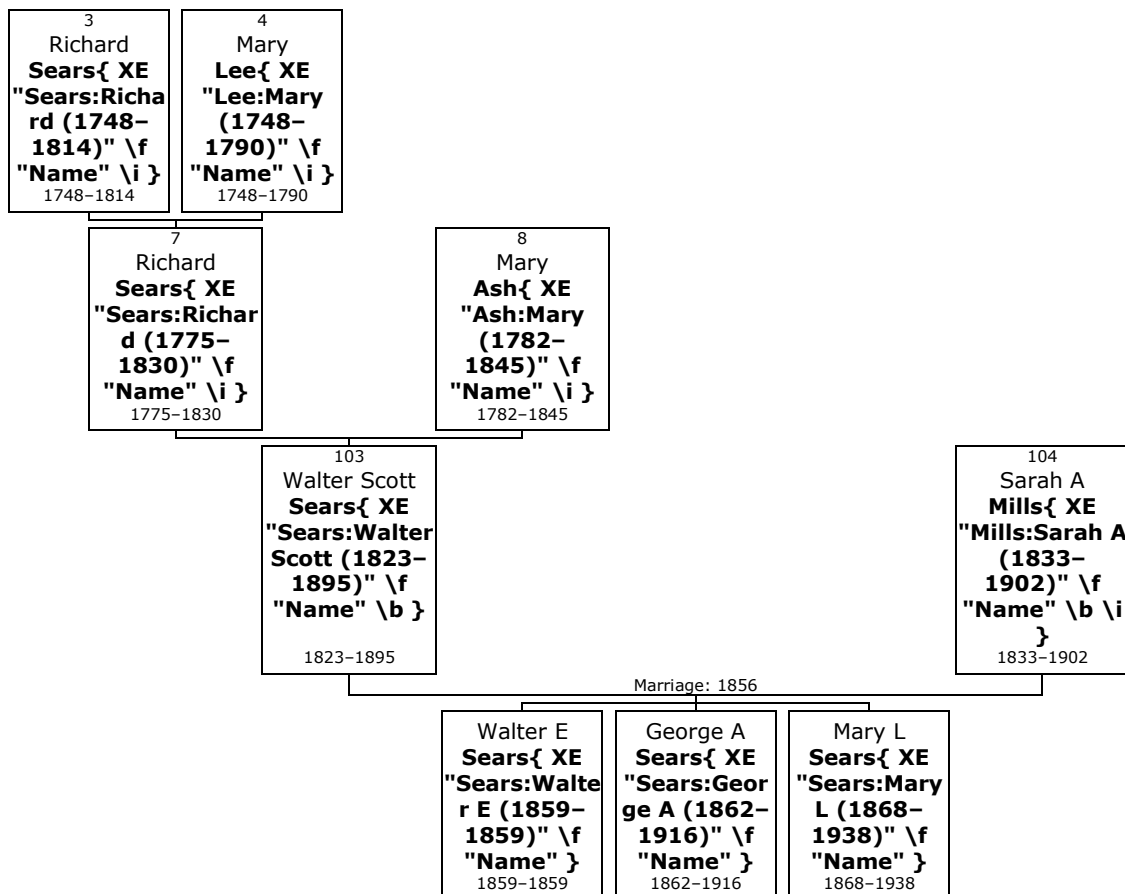
Orin was born in Henderson, Jefferson, { XE "USA, New York, Jefferson, Henderson:(43.8469° N, 76.1822° W):Hungerford, Orin (1806-)" \f "Place" } in 1806.

!BIRTH: Letter from Carol Aldrich, Tulsa, OK, to Ray Sears, Duncan, OK; 1675-1989; Letter dtd 18 May 1994; ; copy in poss of Ray Sears, Duncan, OK;

Son of Priscilla Sears and Orin Hungerford:

m I. **Orin⁶ Hungerford**{ XE "Hungerford:Orin (1833-)" \f "Name" \b } was born in perh, Rome,{ XE "USA, New York, Oneida, Rome, perh: :Hungerford, Orin (1833-)" \f "Place" } in 1833.

Family of Walter Sears and Sarah Mills{ TC "Walter Sears and Sarah Mills" \I 3 \f C }



103. Walter Scott⁵ Sears{ XE "Sears:Walter Scott (1823-1895)" \f "Name" \b } (*Richard⁴, Sergt Richard³, Silas²*) was born on Sunday, 19th October 1823, in Rome, Oneida, New York, USA{ XE "USA, New York, Oneida, Rome:(43.2129° N, 75.4557° W):Sears, Walter Scott (1823-1895)" \f "Place" }. He was the son of Richard Sears{ XE "Sears:Richard (1775-1830)" \f "Name" \i } (7) and Mary Ash{ XE "Ash:Mary (1782-1845)" \f "Name" \i } (8).

Walter Scott died at Age: 72 in Adrian, Lenawee, Michigan,{ XE "USA, Michigan, Lenawee, Adrian:(41.8976° N, 84.0372° W):Sears, Walter Scott (1823-1895)" \f "Place" } on 29th May 1895, at the age of 71. He was buried in Adrian{ XE "USA, Michigan, Lenawee, Adrian:(41.8976° N, 84.0372° W):Sears, Walter Scott (1823-1895)" \f "Place" }.

!S.P. May No 1925 p.458 Walter Sears lives in Adrian, MI, and has been for many years connected with the railroad there. Mr S has in his possession the powder horn which was carried by his grand-father at the battle of Bunker Hill, 17 Jun 1775.

!BIRTH: Letter from Carol Aldrich, Tulsa, OK, to Ray Sears, Duncan, OK; 1675-1989; Letter dtd 18 May 1994; ; copy in poss of Ray Sears, Duncan, OK;

<https://www.wikitree.com/wiki/Sears-6123>

<https://www.findagrave.com/memorial/37949332/walter-scott-sears>

104. At the age of 33, Walter Scott married **Sarah A Mills**{ XE "Mills:Sarah A (1833-1902)" \f "Name" \b \i } on Thursday, 13th November 1856, in Adrian{ XE "USA, Michigan, Lenawee, Adrian:(41.8976° N, 84.0372°

W):Sears, Walter Scott (1823–1895)" \f "Place" } when she was 23 years old.^[185] They had three children: Walter (1859–1859), George (1862–1916) and Mary (1868–1938).

Sarah A was born in Macclesfield, Cheshire, England,{ XE "England, Cheshire, Macclesfield:(53.25° N, 2.1167° W):Mills, Sarah A (1833–1902)" \f "Place" } on Monday, 6th May 1833.^[185] She reached 69 years of age and died on 11th July 1902.^[186] Sarah A was buried in Adrian{ XE "USA, Michigan, Lenawee, Adrian:(41.8976° N, 84.0372° W):Mills, Sarah A (1833–1902)" \f "Place" }.^[186]

!S.P. May p.458 came over in 1841 !BIRTH: Letter from Carol Aldrich, Tulsa, OK, to Ray Sears, Duncan, OK; 1675-1989; Letter dtd 18 May 1994; ; copy in poss of Ray Sears, Duncan, OK;

More facts and events for Sarah A Mills:

Residence: 1900 Adrian{ XE "USA, Michigan, Lenawee, Adrian:(41.8976° N, 84.0372° W):Mills, Sarah A (1833–1902)" \f "Place" }^[185]
 StreetAddress: Front St; Age: 67; AbleToSpeakEnglish: Yes; CanRead: Yes; CanWrite: Yes; EnumerationDistrict: 0035; HomeMortgaged: F; HomeOwnership: O; NumberOfChildrenBorn: 3; NumberOfChildrenLiving: 1; OwnsFarm: H; YearsInUS: 59; MaritalStatus: Widowed;

Children of Walter Scott Sears and Sarah A Mills:

- m I. **Walter E^o Sears**{ XE "Sears:Walter E (1859–1859)" \f "Name" \b } was born in perh, Adrian,{ XE "USA, Michigan, Lenawee, Adrian, perh: :Sears, Walter E (1859–1859)" \f "Place" } on 20th September 1859. He died on 20th October 1859.
- m II. **George A Sears**{ XE "Sears:George A (1862–1916)" \f "Name" \b } was born in Adrian{ XE "USA, Michigan, Lenawee, Adrian:(41.8976° N, 84.0372° W):Sears, George A (1862–1916)" \f "Place" } on 28th November 1862.^[185] He died in Adrian{ XE "USA, Michigan, Lenawee, Adrian:(41.8976° N, 84.0372° W):Sears, George A (1862–1916)" \f "Place" } in 1916 at the age of 53. George A was buried in Adrian, Lenawee County{ XE "USA, Michigan, Lenawee County, Adrian:(41.8976° N, 84.0372° W):Sears, George A (1862–1916)" \f "Place" }.

More facts and events for George A Sears:

Residence: 1870 Ward 2, Adrian, Lenawee{ XE "USA, Michigan, Lenawee, Adrian, Ward 2: :Sears, George A (1862–1916)" \f "Place" }
 Residence: 1870 Michigan{ XE "USA, Michigan:(44.5917° N, 85.025° W):Sears, George A (1862–1916)" \f "Place" }
 Residence: 1880 Adrian, Lenawee, Michigan{ XE "USA, Michigan, Lenawee, Adrian:(41.8976° N, 84.0372° W):Sears, George A (1862–1916)" \f "Place" }
 Residence: 1880 Adrian{ XE "USA, Michigan, Lenawee, Adrian:(41.8976° N, 84.0372° W):Sears, George A (1862–1916)" \f "Place" }
 Residence: 1900 Adrian{ XE "USA, Michigan, Lenawee, Adrian:(41.8976° N, 84.0372° W):Sears, George A (1862–1916)" \f "Place" }^[185]
 Ward 2, StreetAddress: Front St; Age: 37; Occupation: Journalist; AbleToSpeakEnglish: Yes; CanRead: Yes; CanWrite: Yes; EnumerationDistrict: 0035; MonthsUnEmployedPastYear: 0; MaritalStatus: Single; RelationToHead: Son
 Residence: 1900 Ward 2, Adrian{ XE "USA, Michigan, Lenawee, Adrian, Ward 2: :Sears, George A (1862–1916)" \f "Place" }

¹⁸⁵ Ancestry.com, 1900 United States Federal Census (Provo, UT, USA, Ancestry.com Operations Inc, 2004), Ancestry.com, Year: 1900; Census Place: Adrian Ward 2, Lenawee, Michigan; Page: 7; Enumeration District: 0035; FHL microfilm: 1240725. Record for Georg A Sears. <http://search.ancestry.com/cgi-bin/sse.dll?db=7602&h=25054100&indiv=try>. [Source citation includes one media item]

¹⁸⁶ Ancestry.com, U.S., Find A Grave Index, 1600s-Current (Provo, UT, USA, Ancestry.com Operations, Inc., 2012), Record for Walter Scott Sears-<https://www.findagrave.com/memorial/37949332/walter-scott-sears>. <https://familysearch.org/ark:/61903/1:1:2WPM-GT1>.

Residence: 1910 Ward 3{ XE "USA, Michigan, Lenawee, Adrian, Ward 3 :Sears, George A (1862-1916)" \f "Place" }

Residence: 1910 Adrian{ XE "USA, Michigan, Lenawee, Adrian:(41.8976° N, 84.0372° W):Sears, George A (1862-1916)" \f "Place" }
Ward 3

George A married **Sarah M Wilkinson**{ XE "Wilkinson:Sarah M (1875-)" \f "Name" \b \i }.^[187, 188, 189-190] They had three daughters: Sarah (1906-), Laura (1907-1936) and Mary (1909-2000).

Sarah M was born in Iowa{ XE "USA, Iowa:(42.05° N, 92.2° W):Wilkinson, Sarah M (1875-)" \f "Place" } in 1875.^[187-189] She was the daughter of Charles Wilkinson{ XE "Wilkinson:Charles (1833-)" \f "Name" \i } and Eliza --Wilkinson{ XE "--Wilkinson:Eliza (1839-)" \f "Name" \i }.

parents b. NY

- f III. **Mary L Sears**{ XE "Sears:Mary L (1868-1938)" \f "Name" \b } was born in perh, Adrian,{ XE "USA, Michigan, Lenawee, Adrian, perh: :Sears, Mary L (1868-1938)" \f "Place" } on 7th October 1868. She died in 1938 at the age of 69.

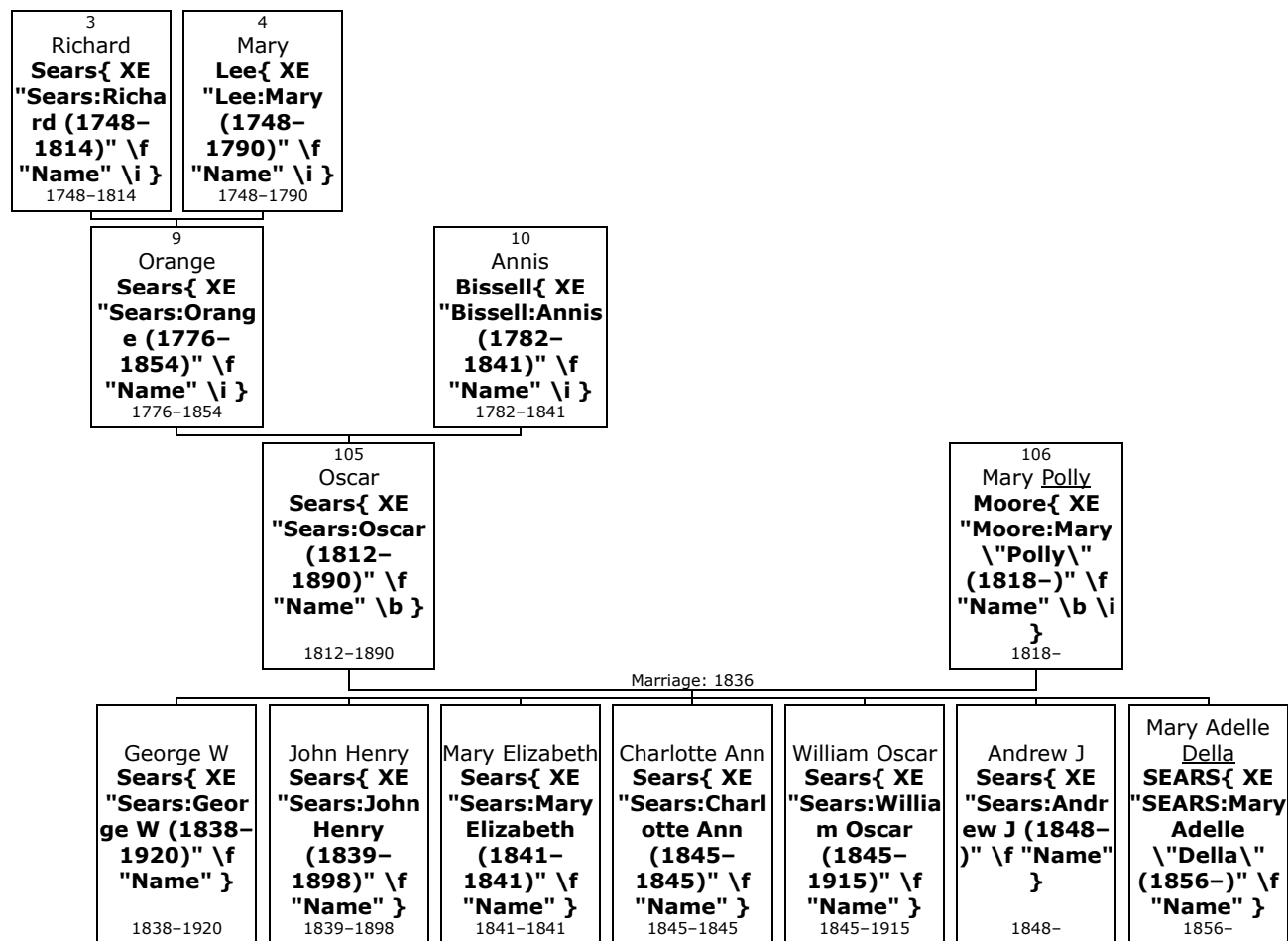
¹⁸⁷ FamilySearch.org, FamilySearch Family Tree, FamilySearch, "Family Tree," database, <i>FamilySearch</i> (<http://familysearch.org> : modified 25 September 2018, 16:31), entry for Sarah M Wilkinson(PID <https://familysearch.org/ark:/61903/4:1:L6ZC-9Y2>); contributed by various users. PersonID L6ZC-9Y2. Sarah M Wilkinson. <https://familysearch.org/ark:/61903/4:1:L6ZC-9Y2>.

¹⁸⁸ FamilySearch.org, FamilySearch Family Tree, FamilySearch, 1920 United States Federal Census. <http://search.ancestry.com/cgi-bin/sse.dll?indiv=1&db=1920usfedcen&h=75865937&tid=&pid=&usePUB=true&usePUBJs=true&rhSource=7884>.

¹⁸⁹ FamilySearch.org, FamilySearch Family Tree, FamilySearch, "United States Census, 1910," database with images, <i>FamilySearch</i> (<https://familysearch.org/ark:/61903/1:1:MLR3-QKS> : accessed 12 January 2019), Sarah M Sears in household of George A Sears, Adrian Ward 3, Lenawee, Michigan, United States; citing en. Sarah M Sears in household of George A Sears, "United States Census, 1910". <https://familysearch.org/ark:/61903/1:1:MLR3-QKS>.

¹⁹⁰ FamilySearch.org, FamilySearch Family Tree, FamilySearch, "New York, County Marriages, 1847-1848; 1908-1936," database with images, <i>FamilySearch</i> (<https://familysearch.org/ark:/61903/1:1:QKN1-VZ48> : 28 September 2017), May Wilkinson in entry for Kenneth D Lawson and Mary M Sears, 16 Jun 1933, Jefferson, N. May Wilkinson in entry for Kenneth D Lawson and Mary M Sears, "New York, County Marriages, 1847-1848; 1908-1936". <https://familysearch.org/ark:/61903/1:1:QKN1-VZ48>.

Family of Oscar Sears and Polly Moore{ TC "Oscar Sears and Polly Moore" \I 3 \f C}



105. **Oscar⁵ Sears**{ XE "Sears:Oscar (1812-1890)" \f "Name" \b } (*Orange⁴, Sergt Richard³, Silas²*) was born on Tuesday, 23rd June 1812, in Arlington, Bennington, Vermont, USA{ XE "USA, Vermont, Bennington, Arlington:(43.0748° N, 73.154° W):Sears, Oscar (1812-1890)" \f "Place" }.^[191] He was the son of Orange Sears{ XE "Sears:Orange (1776-1854)" \f "Name" \i } (9) and Annis Bissell{ XE "Bissell:Annis (1782-1841)" \f "Name" \i } (10).

Oscar died in Erie{ XE "USA, Pennsylvania, Erie:(42.1034° N, 80.1041° W):Sears, Oscar (1812-1890)" \f "Place" } on 14th September 1890, at the age of 78.^[191] He was buried in Wattsburg, Erie{ XE "USA, Pennsylvania, Erie, Wattsburg:(42.0037° N, 79.8109° W):Sears, Oscar (1812-1890)" \f "Place" }.^[191]

!S.P. May No 1927 p.458 Oscar Sears lived for a time in W Butler, NY, removing in 1847, to Venago township, PA, and now lives in vicinity of Lowville; is a farmer.

<https://www.wikitree.com/wiki/Sears-6126>

More facts and events for Oscar Sears:

- Residence: 1850 Venango{ XE "USA, Pennsylvania, Erie, Venango:(41.7728° N, 80.1128° W):Sears, Oscar (1812-1890)" \f "Place" }
- Residence: 1859 Erie{ XE "USA, Pennsylvania, Erie:(42.1034° N, 80.1041° W):Sears, Oscar (1812-1890)" \f "Place" }
- Residence: 1860 Venango, Erie{ XE "USA, Pennsylvania, Erie, Venango:(41.7728° N, 80.1128° W):Sears, Oscar (1812-1890)" \f "Place" }
- Residence: 1870 Venango{ XE "USA, Pennsylvania, Erie, Venango:(41.7728° N, 80.1128° W):Sears, Oscar (1812-1890)" \f "Place" }

¹⁹¹ Ancestry.com, U.S., Find A Grave Index, 1600s-Current (Provo, UT, USA, Ancestry.com Operations, Inc., 2012), Ancestry.com.

- Residence: 1876 Venango{ XE "USA, Pennsylvania, Erie, Venango:(41.7728° N, 80.1128° W):Sears, Oscar (1812–1890)" \f "Place" }
- Residence: 1880 Venango{ XE "USA, Pennsylvania, Erie, Venango:(41.7728° N, 80.1128° W):Sears, Oscar (1812–1890)" \f "Place" }

- 106.** At the age of 24, Oscar married **Mary Polly Moore**{ XE "Moore:Mary \"Polly\" (1818–)" \f "Name" \b \i } on Monday, 4th July 1836, in Valley Falls, Rensselaer, New York,{ XE "USA, New York, Rensselaer, Valley Falls:(42.9034° N, 73.5626° W):Sears, Oscar (1812–1890)" \f "Place" } when she was 18 years old.^[192] They had seven children: George (1838–1920), John (1839–1898), Mary (1841–1841), Charlotte (1845–1845), William (1845–1915), Andrew (1848–) and Della (1856–).

Polly was born in New York{ XE "USA, New York:(42.7531° N, 74.2224° W):Moore, Mary \"Polly\" (1818–)" \f "Place" } on Saturday, 3rd January 1818. She died in Erie{ XE "USA, Pennsylvania, Erie:(42.1034° N, 80.1041° W):Moore, Mary \"Polly\" (1818–)" \f "Place" }. Polly was buried in Lowville Cemetery, Wattsburg, Erie{ XE "USA, Pennsylvania, Erie, Wattsburg, Lowville Cemetery: :Moore, Mary \"Polly\" (1818–)" \f "Place" }.

More facts and events for Mary Polly Moore:

- Residence: 1850 Venango{ XE "USA, Pennsylvania, Erie, Venango:(41.7728° N, 80.1128° W):Moore, Mary \"Polly\" (1818–)" \f "Place" }
- Residence: 1860 Venango{ XE "USA, Pennsylvania, Erie, Venango:(41.7728° N, 80.1128° W):Moore, Mary \"Polly\" (1818–)" \f "Place" }
- Residence: 1870 Venango{ XE "USA, Pennsylvania, Erie, Venango:(41.7728° N, 80.1128° W):Moore, Mary \"Polly\" (1818–)" \f "Place" }
- Residence: 1880 Venango{ XE "USA, Pennsylvania, Erie, Venango:(41.7728° N, 80.1128° W):Moore, Mary \"Polly\" (1818–)" \f "Place" }

Children of Oscar Sears and Mary Polly Moore:

- m I. **George W⁶ Sears**{ XE "Sears:George W (1838–1920)" \f "Name" \b } was born in Pittstown{ XE "USA, New York, Rensselaer, Pittstown:(42.835° N, 73.4856° W):Sears, George W (1838–1920)" \f "Place" } on 31st March 1838.^[193, 194–195] He died in Westfield, Chautauqua, New York,{ XE "USA, New York, Chautauqua, Westfield:(42.3223° N, 79.5781° W):Sears, George W (1838–1920)" \f "Place" } on 2nd February 1920, at the age of 81. George W was buried in Lowville Cemetery, Wattsburg, Erie, Pennsylvania{ XE "USA, Pennsylvania, Erie, Wattsburg, Lowville Cemetery: :Sears, George W (1838–1920)" \f "Place" }.

More facts and events for George W Sears:

- Residence: 1850 Venango{ XE "USA, Pennsylvania, Erie, Venango:(41.7728° N, 80.1128° W):Sears, George W (1838–1920)" \f "Place" }
- Residence: 1870 Venango{ XE "USA, Pennsylvania, Erie, Venango:(41.7728° N, 80.1128° W):Sears, George W (1838–1920)" \f "Place" }
- Residence: 1880 Venango{ XE "USA, Pennsylvania, Erie, Venango:(41.7728° N, 80.1128° W):Sears, George W (1838–1920)" \f "Place" }^[195]
Marital Status: Married; Relation to Head: Self

¹⁹² "Ancestry Family Tree", Record for Oscar SEARS-[https://www.ancestry.com/family-tree/person/tree/91084582/person/76023619952/facts tree of joy1948](https://www.ancestry.com/family-tree/person/tree/91084582/person/76023619952/facts%20tree%20of%20joy1948).
<https://familysearch.org/ark:/61903/1:1:FC1M-2CS>.

¹⁹³ Ancestry.com, 1900 United States Federal Census (Provo, UT, USA, Ancestry.com Operations Inc, 2004), Ancestry.com, Year: 1900; Census Place: Corry, Erie, Pennsylvania; Roll: 1407; Page: 17B; Enumeration District: 0065; FHL microfilm: 1241407.

¹⁹⁴ Edmund West, comp., Family Data Collection - Individual Records (Provo, UT, USA, Ancestry.com Operations Inc, 2000), Ancestry.com, Birth year: 1838; Birth city: Pittstown; Birth state: NY.

¹⁹⁵ Ancestry.com and The Church of Jesus Christ of Latter-day Saints, 1880 United States Federal Census (Provo, UT, USA, Ancestry.com Operations Inc, 2010), Ancestry.com, Year: 1880; Census Place: Venango, Erie, Pennsylvania; Roll: 1129; Family History Film: 1255129; Page: 256D; Enumeration District: 174.

- Residence: 1900 Corry{ XE "USA, Pennsylvania, Erie, Corry:(41.9203° N, 79.6403° W):Sears, George W (1838–1920)" \f "Place" }^[193]
 Marital Status: Married; Relation to Head: Head
- Residence: 1910 Wayne{ XE "USA, Pennsylvania, Erie, Wayne: :Sears, George W (1838–1920)" \f "Place" }
- Residence: 1920 Westfield, Chautauqua, New York{ XE "USA, New York, Chautauqua, Westfield:(42.3223° N, 79.5781° W):Sears, George W (1838–1920)" \f "Place" }
- Residence: New York{ XE "USA, New York:(42.7531° N, 74.2224° W):Sears, George W (1838–1920)" \f "Place" }

George W married **Melissa A Whitford**{ XE "Whitford:Melissa A (1844–)" \f "Name" \b \i } on Sunday, 30th March 1862.^[193-196] They had three children: Nettie (1864–1900), Clarissa (1865–1921) and Gilbert (1869–1869).

Melissa A was born in perh, Wattsburg, Erie, Pennsylvania,{ XE "USA, Pennsylvania, Erie, Wattsburg, perh: :Whitford, Melissa A (1844–)" \f "Place" } in June 1844.^[193, 195, 196] She was the daughter of Rensler Whitford{ XE "Whitford:Rensler" \f "Name" \i } and Laura --Whitford{ XE "--Whitford:Laura" \f "Name" \i }.

- m II. **John Henry Sears**{ XE "Sears:John Henry (1839–1898)" \f "Name" \b } was born in Rensselaer{ XE "USA, New York, Rensselaer:(42.7098° N, 73.5139° W):Sears, John Henry (1839–1898)" \f "Place" } on 13th October 1839.^[191, 197, 198-199] He died in Erie{ XE "USA, Pennsylvania, Erie:(42.1034° N, 80.1041° W):Sears, John Henry (1839–1898)" \f "Place" } in 1898 at the age of 58.^[191] John Henry was buried in Wattsburg, Erie{ XE "USA, Pennsylvania, Erie, Wattsburg:(42.0037° N, 79.8109° W):Sears, John Henry (1839–1898)" \f "Place" }.^[191]



John

More facts and events for John Henry Sears:

- Residence: 1850 Venango{ XE "USA, Pennsylvania, Erie, Venango:(41.7728° N, 80.1128° W):Sears, John Henry (1839–1898)" \f "Place" }^[198]
- Residence: 1880 Venango{ XE "USA, Pennsylvania, Erie, Venango:(41.7728° N, 80.1128° W):Sears, John Henry (1839–1898)" \f "Place" }^[197]
 Marital Status: Married; Relation to Head: Self

At the age of 24, John Henry Sears married **Harriet M Faulkner**{ XE "Faulkner:Harriet M (1846–1875)" \f "Name" \b \i } on Tuesday, 8th March 1864, in Wattsburg{ XE "USA, Pennsylvania, Erie, Wattsburg:(42.0037° N, 79.8109° W):Sears, John Henry (1839–1898)" \f "Place" } when she was 17 years old. They had four children: Hattie (1866–1869), Mary (1869–1872), Sarah (ca.1872–1932) and Ernest (1874–).

Harriet M was born in Chautauqua, Chautauqua, New York,{ XE "USA, New York, Chautauqua, Chautauqua:(42.2097° N, 79.467° W):Faulkner, Harriet M (1846–1875)" \f "Place" } on Wednesday, 25th March 1846.

¹⁹⁶ Ancestry.com, 1850 United States Federal Census (Provo, UT, USA, Ancestry.com Operations, Inc., 2009), Ancestry.com, Year: 1850; Census Place: North East, Erie, Pennsylvania; Roll: M432_777; Page: 124A; Image: 253. [Source citation includes one media item]

¹⁹⁷ Ancestry.com and The Church of Jesus Christ of Latter-day Saints, 1880 United States Federal Census (Provo, UT, USA, Ancestry.com Operations Inc, 2010), Ancestry.com, Year: 1880; Census Place: Venango, Erie, Pennsylvania; Roll: 1129; Family History Film: 1255129; Page: 258C; Enumeration District: 174.

¹⁹⁸ Ancestry.com, 1850 United States Federal Census (Provo, UT, USA, Ancestry.com Operations, Inc., 2009), Ancestry.com, Year: 1850; Census Place: Venango, Erie, Pennsylvania; Roll: M432_777; Page: 70B; Image: 147.

¹⁹⁹ Ancestry.com, Pennsylvania, Death Certificates, 1906-1963 (Provo, UT, USA, Ancestry.com Operations, Inc., 2014), Ancestry.com, Pennsylvania Historic and Museum Commission; Pennsylvania, USA; Certificate Number Range: 064501-067500.

She reached 29 years of age and died in Wattsburg, Erie, Pennsylvania,{ XE "USA, Pennsylvania, Erie, Wattsburg:(42.0037° N, 79.8109° W):Faulkner, Harriet M (1846–1875)" \f "Place" } on 8th May 1875.

At the age of 37, John Henry Sears married **Rhoda A --Austin**{ XE "--Austin:Rhoda A (1844–)" \f "Name" \b \i } on Monday, 27th November 1876, in Wattsburg{ XE "USA, Pennsylvania, Erie, Wattsburg:(42.0037° N, 79.8109° W):Sears, John Henry (1839–1898)" \f "Place" } when she was 32 years old.^[197, 200] They had six children: Lyman (ca.1863–), Minnie (ca.1868–), Lula (ca.1871–), Maude (1878–1881), May (ca.1879–) and Edith (1882–).

Rhoda A was born in Chautauqua, Chautauqua, New York,{ XE "USA, New York, Chautauqua, Chautauqua:(42.2097° N, 79.467° W):--Austin, Rhoda A (1844–)" \f "Place" } on Monday, 11th March 1844.^[197, 200]

- f III. **Mary Elizabeth Sears**{ XE "Sears:Mary Elizabeth (1841–1841)" \f "Name" \b } was born in New York{ XE "USA, New York:(42.7531° N, 74.2224° W):Sears, Mary Elizabeth (1841–1841)" \f "Place" } in 1841. She died on 22nd November 1841.
- f IV. **Charlotte Ann Sears**{ XE "Sears:Charlotte Ann (1845–1845)" \f "Name" \b } was born in Butler, Wayne, New York,{ XE "USA, New York, Wayne, Butler:(43.1701° N, 76.7661° W):Sears, Charlotte Ann (1845–1845)" \f "Place" } on 4th July 1845. She died in Butler{ XE "USA, New York, Wayne, Butler:(43.1701° N, 76.7661° W):Sears, Charlotte Ann (1845–1845)" \f "Place" } on 4th July 1845.
- m V. **William Oscar Sears**{ XE "Sears:William Oscar (1845–1915)" \f "Name" \b } was born in Butler{ XE "USA, New York, Wayne, Butler:(43.1701° N, 76.7661° W):Sears, William Oscar (1845–1915)" \f "Place" } on 22nd November 1845.^[191, 201, 202, 203-204] He died in Spartansburg, Crawford,{ XE "USA, Pennsylvania, Crawford, Spartansburg:(41.824° N, 79.6837° W):Sears, William Oscar (1845–1915)" \f "Place" } on 14th March 1915, at the age of 69.^[191] William Oscar was buried in Spartansburg{ XE "USA, Pennsylvania, Crawford, Spartansburg:(41.824° N, 79.6837° W):Sears, William Oscar (1845–1915)" \f "Place" }.^[191]

More facts and events for William Oscar Sears:

Residence: 1880 Venango, Erie{ XE "USA, Pennsylvania, Erie, Venango:(41.7728° N, 80.1128° W):Sears, William Oscar (1845–1915)" \f "Place" }^[201]
Marital Status: Married; Relation to Head: Self

William Oscar Sears married **Elizabeth Anna Libbie Barnes**{ XE "Barnes:Elizabeth Anna \"Libbie\" (1857–1936)" \f "Name" \b \i } in 1874 in Union City, Adams{ XE "USA, Pennsylvania, Adams, Union City:(41.8998° N, 79.8454° W):Sears, William Oscar (1845–1915)" \f "Place" }.^[191, 201-204] They had three children: Edward (1875–1954), Ella (1878–1962) and Velma (1883–1954).

Libbie was born in Union City{ XE "USA, Pennsylvania, Adams, Union City:(41.8998° N, 79.8454° W):Barnes, Elizabeth Anna \"Libbie\" (1857–1936)" \f "Place" } on Friday, 4th

²⁰⁰ Ancestry.com, 1900 United States Federal Census (Provo, UT, USA, Ancestry.com Operations Inc, 2004), Ancestry.com, Year: 1900; Census Place: Venango, Erie, Pennsylvania; Roll: 1409; Page: 12A; Enumeration District: 0126; FHL microfilm: 1241409.

[Source citation includes one media item]

²⁰¹ Ancestry.com and The Church of Jesus Christ of Latter-day Saints, 1880 United States Federal Census (Provo, UT, USA, Ancestry.com Operations Inc, 2010), Ancestry.com, Year: 1880; Census Place: Venango, Erie, Pennsylvania; Roll: 1129; Family History Film: 1255129; Page: 252C; Enumeration District: 174.

²⁰² Ancestry.com, Pennsylvania, Death Certificates, 1906-1963 (Provo, UT, USA, Ancestry.com Operations, Inc., 2014), Ancestry.com, Pennsylvania Historic and Museum Commission; Pennsylvania, USA; Certificate Number Range: 011101-013800.

²⁰³ Ancestry.com, Pennsylvania, Death Certificates, 1906-1963 (Provo, UT, USA, Ancestry.com Operations, Inc., 2014), Ancestry.com, Pennsylvania Historic and Museum Commission; Pennsylvania, USA; Certificate Number Range: 073201-075900.

²⁰⁴ Ancestry.com, Pennsylvania, Death Certificates, 1906-1963 (Provo, UT, USA, Ancestry.com Operations, Inc., 2014), Ancestry.com, Pennsylvania Historic and Museum Commission; Pennsylvania, USA; Certificate Number Range: 030151-033000.

September 1857.^[191, 201] She reached 79 years of age and died in Union City{ XE "USA, Pennsylvania, Erie, Union City:(41.8995° N, 79.8453° W):Barnes, Elizabeth Anna \"Libbie\" (1857-1936)" \f "Place" } on 9th December 1936.^[191] Libbie was buried in Union City{ XE "USA, Pennsylvania, Erie, Union City:(41.8995° N, 79.8453° W):Barnes, Elizabeth Anna \"Libbie\" (1857-1936)" \f "Place" }.^[191]

- m VI. **Andrew J Sears**{ XE "Sears:Andrew J (1848-)" \f "Name" \b } was born in Wattsburg, Erie, Pennsylvania,{ XE "USA, Pennsylvania, Erie, Wattsburg:(42.0037° N, 79.8109° W):Sears, Andrew J (1848-)" \f "Place" } on 7th June 1848.

More facts and events for Andrew J Sears:

Residence: 1850 Venango{ XE "USA, Pennsylvania, Erie, Venango:(41.7728° N, 80.1128° W):Sears, Andrew J (1848-)" \f "Place" }

Residence: 1860 Venango{ XE "USA, Pennsylvania, Erie, Venango:(41.7728° N, 80.1128° W):Sears, Andrew J (1848-)" \f "Place" }

Residence: 1870 Venango{ XE "USA, Pennsylvania, Erie, Venango:(41.7728° N, 80.1128° W):Sears, Andrew J (1848-)" \f "Place" }

Andrew J Sears married **Ella A Chaffee**{ XE "Chaffee:Ella A (1852-)" \f "Name" \b \i }. They had no known children.

Ella A was born in perh, Wattsburg,{ XE "USA, Pennsylvania, Erie, Wattsburg, perh: :Chaffee, Ella A (1852-)" \f "Place" } in 1852.

!S.P. May p.458 a teacher

- f VII. **Mary Adelle Della SEARS**{ XE "SEARS:Mary Adelle \"Della\" (1856-)" \f "Name" \b } was born in Wattsburg{ XE "USA, Pennsylvania, Erie, Wattsburg:(42.0037° N, 79.8109° W):SEARS, Mary Adelle \"Della\" (1856-)" \f "Place" } on 30th September 1856.

More facts and events for Mary Adelle Della SEARS:

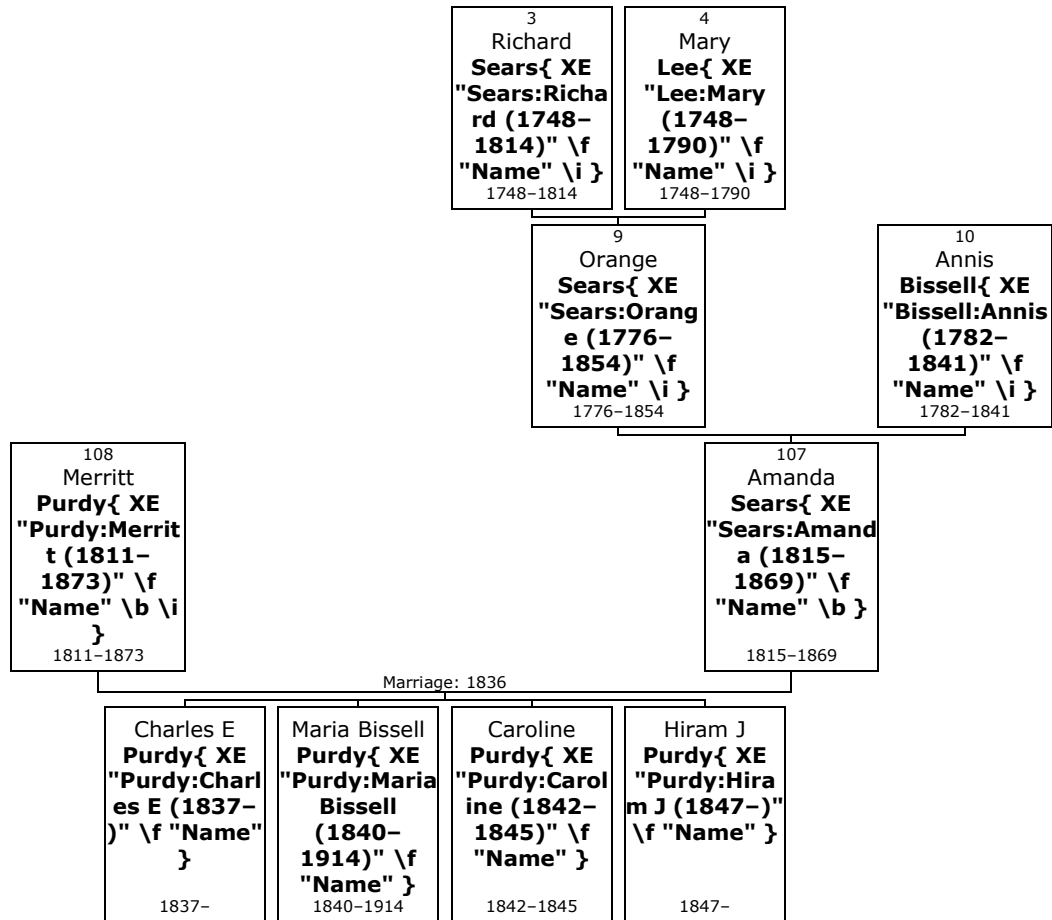
Residence: 1870 Venango{ XE "USA, Pennsylvania, Erie, Venango:(41.7728° N, 80.1128° W):SEARS, Mary Adelle \"Della\" (1856-)" \f "Place" }

Residence: 1880 Venango{ XE "USA, Pennsylvania, Erie, Venango:(41.7728° N, 80.1128° W):SEARS, Mary Adelle \"Della\" (1856-)" \f "Place" }

Mary Adelle Della SEARS married **Augustus J Grant**{ XE "Grant:Augustus J (1852-)" \f "Name" \b \i }. They had no known children.

Augustus J was born in perh, Wattsburg,{ XE "USA, Pennsylvania, Erie, Wattsburg, perh: :Grant, Augustus J (1852-)" \f "Place" } in 1852.

Family of Amanda Sears and Merritt Purdy{ TC "Amanda Sears and Merritt Purdy" \I 3 \f C}



- 107. Amanda⁵ Sears**{ XE "Sears:Amanda (1815–1869)" \f "Name" \b } (*Orange⁴, Sergt Richard³, Silas²*) was born on Wednesday, 1st March 1815, in Valley Falls, Rensselaer, New York, USA{ XE "USA, New York, Rensselaer, Valley Falls:(42.9034° N, 73.5626° W):Sears, Amanda (1815–1869)" \f "Place" }. She was the daughter of Orange Sears{ XE "Sears:Orange (1776–1854)" \f "Name" \i } (9) and Annis Bissell{ XE "Bissell:Annis (1782–1841)" \f "Name" \i } (10).

Amanda died on 12th October 1869, at the age of 54. She was buried at Hubbard Cemetery in Wayne{ XE "USA, New York, Wayne:(43.283° N, 77.0535° W):Sears, Amanda (1815–1869)" \f "Place" }.

S P May No 1928 Mayflower Index: No 29,887

<https://www.wikitree.com/wiki/Sears-6128>

More facts and events for Amanda Sears:

Residence: 1860 Butler, Wayne{ XE "USA, New York, Wayne, Butler:(43.1701° N, 76.7661° W):Sears, Amanda (1815–1869)" \f "Place" }

- 108.** Amanda married **Merritt Purdy**{ XE "Purdy:Merritt (1811–1873)" \f "Name" \b \i } on Sunday, 25th December 1836. They had four children: Charles (1837–), Maria (1840–1914), Caroline (1842–1845) and Hiram (1847–).

Merritt was born in Pittstown, Rensselaer,{ XE "USA, New York, Rensselaer, Pittstown:(42.835° N, 73.4856° W):Purdy, Merritt (1811–1873)" \f "Place" } in 1811. He reached 62 years of age and died in 1873. Merritt was buried at Hubbard Cemetery in Wayne, New York{ XE "USA, New York, Wayne:(43.283° N, 77.0535° W):Purdy, Merritt (1811–1873)" \f "Place" }.

!S.P. May p.308 An honored citizen and J.P.

More facts and events for Merritt Purdy:

Residence: 1850 Butler, Wayne{ XE "USA, New York, Wayne, Butler:(43.1701° N, 76.7661°

W):Purdy, Merritt (1811-1873)" \f "Place" }
 Residence: 1860 Butler{ XE "USA, New York, Wayne, Butler:(43.1701° N, 76.7661°
 W):Purdy, Merritt (1811-1873)" \f "Place" }
 Residence: 1870 New York{ XE "USA, New York:(42.7531° N, 74.2224° W):Purdy, Merritt
 (1811-1873)" \f "Place" }

Children of Amanda Sears and Merritt Purdy:

- m I. **Charles E⁶ Purdy**{ XE "Purdy:Charles E (1837-)" \f "Name" \b } was born in perh,
 Valley Falls, Rensselaer, New York,{ XE "USA, New York, Rensselaer, Valley Falls, perh:
 :Purdy, Charles E (1837-)" \f "Place" } on 31st December 1837.
 Charles E married **Mary Chatfield**{ XE "Chatfield:Mary" \f "Name" \b \i }.
- f II. **Maria Bissell Purdy**{ XE "Purdy:Maria Bissell (1840-1914)" \f "Name" \b } was born in
 West Butler, Butler, Wayne,{ XE "USA, New York, Wayne, Butler, West Butler: :Purdy,
 Maria Bissell (1840-1914)" \f "Place" } on 16th November 1840.<sup>[205, 206, 207, 208, 209, 210, 211,
 212, 213-214]</sup> She died in Davenport{ XE "USA, Iowa, Scott, Davenport:(41.5236° N,
 90.5776° W):Purdy, Maria Bissell (1840-1914)" \f "Place" } on 2nd January 1914, at the
 age of 73.^[205, 207-211] Maria Bissell was buried at Oakdale Cemetery in Davenport{ XE

²⁰⁵ FamilySearch.org, FamilySearch Family Tree, FamilySearch, "Family Tree," database, <i>FamilySearch</i>
 (http://familysearch.org : modified 23 September 2018, 17:09), entry for Maria Bissell Purdy(PID
 https://familysearch.org/ark:/61903/4:1:LCQZ-C8J); contributed by various users. PersonID LCQZ-C8J. Maria Bissell Purdy.
 https://familysearch.org/ark:/61903/4:1:LCQZ-C8J.

²⁰⁶ FamilySearch.org, FamilySearch Family Tree, FamilySearch, "United States Census, 1860," database with images,
 <i>FamilySearch</i> (https://familysearch.org/ark:/61903/1:1:MCQZ-N89 : 12 December 2017), Mariah Purdy in entry for
 Merritt Purdy, 1860. Mariah Purdy in household of Merritt Purdy, "United States Census, 1860".
 https://familysearch.org/ark:/61903/1:1:MCQZ-N89.

²⁰⁷ FamilySearch.org, FamilySearch Family Tree, FamilySearch, "Iowa Deaths and Burials, 1850-1990," database,
 <i>FamilySearch</i> (https://familysearch.org/ark:/61903/1:1:XV7T-DZP : 11 March 2018), Maria Purdy Peck, 02 Jan
 1914; citing Davenport, Iowa, reference p214 #392; FHL microfilm 1,480,948. Maria Purdy Peck, "Iowa Deaths and Burials,
 1850-1990". https://familysearch.org/ark:/61903/1:1:XV7T-DZP.

²⁰⁸ FamilySearch.org, FamilySearch Family Tree, FamilySearch, "United States Census, 1880," database with images,
 <i>FamilySearch</i> (https://familysearch.org/ark:/61903/1:1:MDLF-69V : 14 August 2017), Maria Peck in household of
 Washington Peck, Davenport, Scott, Iowa, United States; citing enumeration district ED. Maria Peck in household of
 Washington Peck, "United States Census, 1880". https://familysearch.org/ark:/61903/1:1:MDLF-69V.

²⁰⁹ FamilySearch.org, FamilySearch Family Tree, FamilySearch, "1880 United States Federal Census - Ancestry.com." 1880
 United States Federal Census - Ancestry.com. N.p., n.d. Web. 11 Nov. 2013. 1880 United States Federal Census -
 Ancestry.com.
 http://search.ancestry.com/cgi-bin/sse.dll?rank=1&new=1&MSAV=0&msT=1&gss=angs-g&gsfn=maria+p&gsln=peck&ms
 wpn__ftp=iwoa&msbdy=1840&uidh=al3&mssng0=washington&mssns0=peck&pcat=ROOT_CATEGORY&h=23826120&db=
 1880usfedcen&indiv=1&ml_rpos=1.

²¹⁰ FamilySearch.org, FamilySearch Family Tree, FamilySearch, "Iowa State Census, 1885," database with images,
 <i>FamilySearch</i> (https://familysearch.org/ark:/61903/1:1:H4HT-B6Z : 10 March 2018), Jessie A Peck in household of
 Washington F Peck, Davenport, Davenport, Scott, Iowa; citing p. 257, 1885, State Histor. Jessie A Peck in household of
 Washington F Peck, "Iowa State Census, 1885". https://familysearch.org/ark:/61903/1:1:H4HT-B6Z.

²¹¹ FamilySearch.org, FamilySearch Family Tree, FamilySearch, "United States Census, 1910," database with images,
 <i>FamilySearch</i> (https://familysearch.org/ark:/61903/1:1:MG9D-QVH : accessed 13 January 2019), Herry Vollmer in
 household of Maria P Peck, Davenport Ward 5, Scott, Iowa, United States; citing enumera. Herry Vollmer in household of
 Maria P Peck, "United States Census, 1910". https://familysearch.org/ark:/61903/1:1:MG9D-QVH.

²¹² FamilySearch.org, FamilySearch Family Tree, FamilySearch, "Iowa Marriages, 1809-1992," database, <i>FamilySearch</i>
 (https://familysearch.org/ark:/61903/1:1:XJ2K-YMD : 10 February 2018), Mama Perdy in entry for Robert Peck and Maud
 Laytow Richey, 29 Dec 1892; citing Atlantic, Cass County, Iowa, reference 2:3Q4S. Mama Perdy in entry for Robert Peck and
 Maud Laytow Richey, "Iowa Marriages, 1809-1992". https://familysearch.org/ark:/61903/1:1:XJ2K-YMD.

²¹³ FamilySearch.org, FamilySearch Family Tree, FamilySearch, "Iowa, County Marriages, 1838-1934," database,
 <i>FamilySearch</i> (https://familysearch.org/ark:/61903/1:1:XJ86-Y8M : 10 February 2018), Mama Perdy in entry for
 Robert Peck and Maud Laytow Richey, 29 Dec 1892, Atlantic, Cass, Iowa, United States; citing. Mama Perdy in entry for
 Robert Peck and Maud Laytow Richey, "Iowa, County Marriages, 1838-1934".
 https://familysearch.org/ark:/61903/1:1:XJ86-Y8M.

²¹⁴ FamilySearch.org, FamilySearch Family Tree, FamilySearch, "Iowa, County Marriages, 1838-1934," database,
 <i>FamilySearch</i> (https://familysearch.org/ark:/61903/1:1:XJJZ-WD2 : 10 February 2018), Maria P...Idy in entry for
 Henry Vollmer and Jessie Allen Peck, 02 Dec 1891, Davenport, Scott, Iowa, United States; c. Maria P...Idy in entry for Henry
 Vollmer and Jessie Allen Peck, "Iowa, County Marriages, 1838-1934". https://familysearch.org/ark:/61903/1:1:XJJZ-WD2.

"USA, Iowa, Scott, Davenport:(41.5236° N, 90.5776° W):Purdy, Maria Bissell (1840–1914)" \f "Place" } on 4th January 1914.^[205, 207–211]

More facts and events for Maria Bissell Purdy:

Residence: 1860 Butler, Wayne, New York{ XE "USA, New York, Wayne, Butler:(43.1701° N, 76.7661° W):Purdy, Maria Bissell (1840–1914)" \f "Place" }^[205, 208–211]

Census: 1880 Davenport, Scott, Iowa{ XE "USA, Iowa, Scott, Davenport:(41.5236° N, 90.5776° W):Purdy, Maria Bissell (1840–1914)" \f "Place" }^[205, 208–211]

At the age of 24, Maria Bissell married **Dr Washington Freeman Peck**{ XE "Peck:Washington Freeman (1841–1891)" \f "Name" \b \i } on Friday, 8th September 1865, when he was 24 years old. They had three children: Jessie (1866–1929), Mary (1868–1888) and Robertson (1871–1899).

Washington Freeman was born in Galen, Wayne, New York,{ XE "USA, New York, Wayne, Galen:(43.0676° N, 76.8802° W):Peck, Washington Freeman (1841–1891)" \f "Place" } on Friday, 22nd January 1841. He reached 50 years of age and died in Davenport{ XE "USA, Iowa, Scott, Davenport:(41.5236° N, 90.5776° W):Peck, Washington Freeman (1841–1891)" \f "Place" } on 12th December 1891. Washington Freeman was buried at Oakdale Cemetery in Davenport{ XE "USA, Iowa, Scott, Davenport:(41.5236° N, 90.5776° W):Peck, Washington Freeman (1841–1891)" \f "Place" }.

f III. **Caroline Purdy**{ XE "Purdy:Caroline (1842–1845)" \f "Name" \b } was born in perh, Valley Falls, Rensselaer,{ XE "USA, New York, Rensselaer, Valley Falls, perh: :Purdy, Caroline (1842–1845)" \f "Place" } on 17th April 1842. She died on 18th May 1845, at the age of 3.

m IV. **Hiram J Purdy**{ XE "Purdy:Hiram J (1847–)" \f "Name" \b } was born in perh{ XE "USA, New York, Rensselaer, Valley Falls, perh: :Purdy, Hiram J (1847–)" \f "Place" } on 18th January 1847.^[215]

More facts and events for Hiram J Purdy:

Residence: 1880 Seneca Falls{ XE "USA, New York, Seneca, Seneca Falls:(42.9106° N, 76.7966° W):Purdy, Hiram J (1847–)" \f "Place" }^[215]

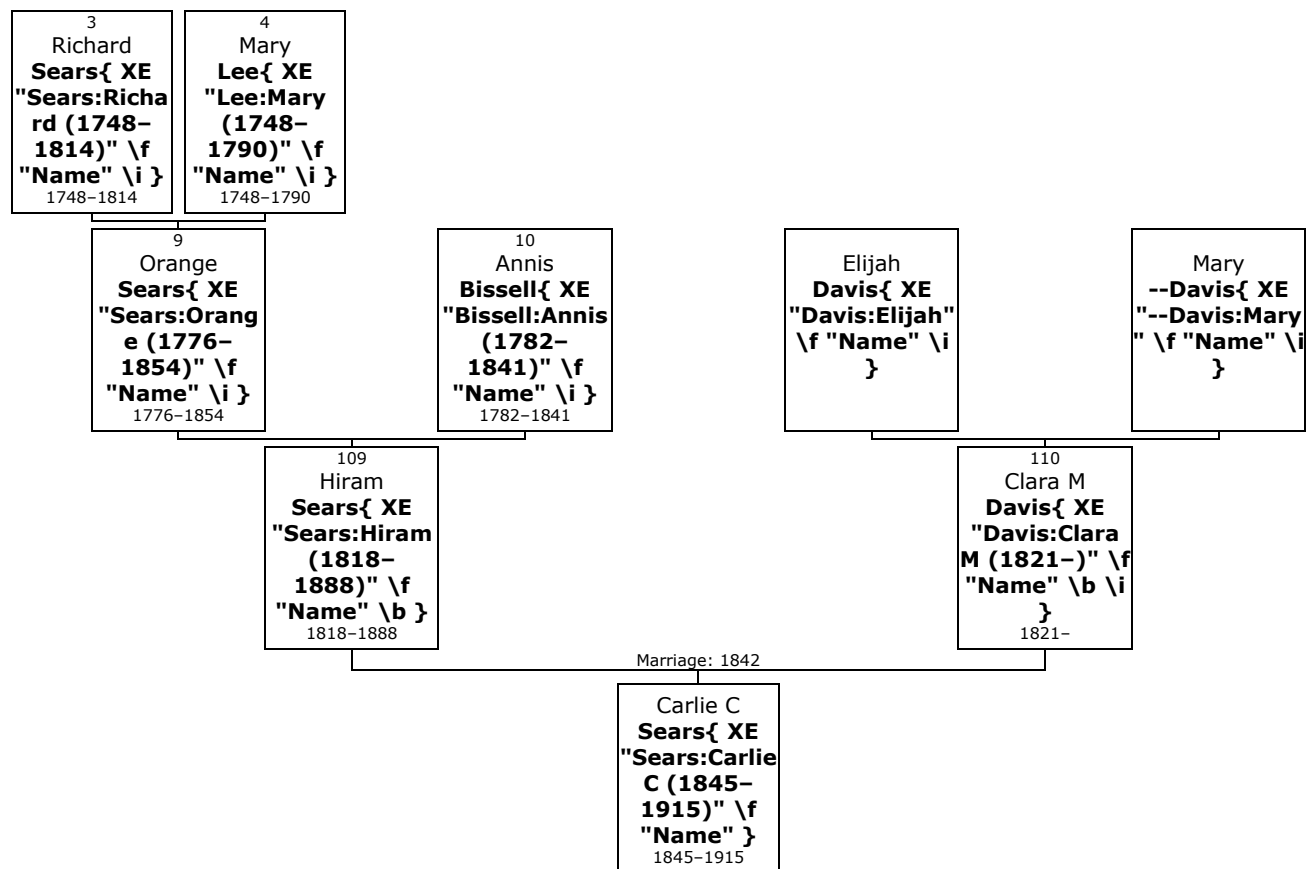
Age: 33; Occupation: Doctor M.D.; EnumerationDistrict: 163; MaritalStatus: Married; RelationToHead: Self

Hiram J Purdy married **Emma R Roberts**{ XE "Roberts:Emma R" \f "Name" \b \i } on Thursday, 19th December 1867.^[215] They had one daughter: Alice (1872–).

Emma R was born in New York{ XE "USA, New York:(42.7531° N, 74.2224° W):Roberts, Emma R" \f "Place" }.^[215]

²¹⁵ Ancestry.com and The Church of Jesus Christ of Latter-day Saints, 1880 United States Federal Census (Provo, UT, USA, Ancestry.com Operations Inc, 2010), Ancestry.com, Year: 1880; Census Place: Seneca Falls, Seneca, New York; Roll: 932; Page: 183C; Enumeration District: 163. Record for Hiram J. Purdy.
<http://search.ancestry.com/cgi-bin/sse.dll?db=6742&h=3971041&indiv=try>.

Family of Hiram Sears and Clara Davis{ TC "Hiram Sears and Clara Davis" \I 3 \f C}



109. Hiram⁵ Sears{ XE "Sears:Hiram (1818-1888)" \f "Name" \b } (*Orange⁴, Sergt Richard³, Silas²*) was born on Friday, 17th July 1818, in Valley Falls, Rensselaer, New York, USA{ XE "USA, New York, Rensselaer, Valley Falls:(42.9034° N, 73.5626° W):Sears, Hiram (1818-1888)" \f "Place" }. He was the son of Orange Sears{ XE "Sears:Orange (1776-1854)" \f "Name" \i } (9) and Annis Bissell{ XE "Bissell:Annis (1782-1841)" \f "Name" \i } (10).

Hiram died in 1888 at the age of 69.

!S.P. May No 1929 p.459 Hiram Sears removed to IL in 1845, finally settling in Shelbyville, Shelby co. Is a millwright.

<https://www.wikitree.com/wiki/Sears-6129>

110. Hiram married **Clara M Davis**{ XE "Davis:Clara M (1821-)" \f "Name" \b \i } on Wednesday, 1st June 1842, in Jonesville{ XE "USA, New York, Jonesville: :Sears, Hiram (1818-1888)" \f "Place" }. They had one daughter: Carlie (1845-1915).

Clara M was born in 1821. She was the daughter of Elijah Davis{ XE "Davis:Elijah" \f "Name" \i } and Mary --Davis{ XE "--Davis:Mary" \f "Name" \i }.

Daughter of Hiram Sears and Clara M Davis:

f I. **Carlise C⁶ Sears**{ XE "Sears:Carlise C (1845-1915)" \f "Name" \b } was born in West Butler, Butler, Wayne,{ XE "USA, New York, Wayne, Butler, West Butler: :Sears, Carlise C (1845-1915)" \f "Place" } on 24th January 1845.^[216] She died in 1915 at the age of 69.

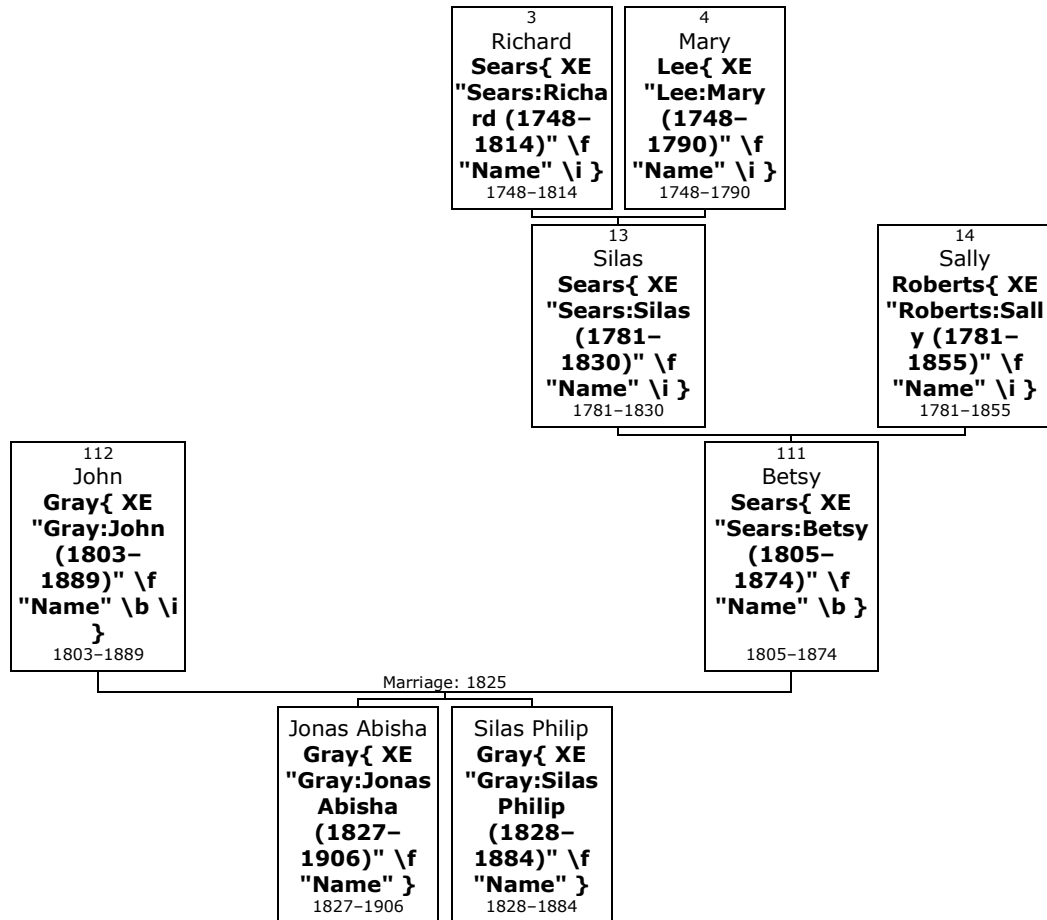
Carlise C married **Horace Woods Hibbard**{ XE "Hibbard:Horace Woods (1841-)" \f "Name" \b \i } on Thursday, 18th February 1864, in Shelbyville, Shelby, Illinois{ XE "USA, Illinois, Shelby, Shelbyville:(39.4064° N, 88.7901° W):Sears, Carlise C (1845-1915)" \f "Place" }.^[216] They had one daughter: May (1866-).

²¹⁶ Jordan Dodd and Liahona Research, comp., Illinois, Marriage Index, 1851-1900 (Provo, UT, USA, Ancestry.com Operations Inc, 2005), Ancestry.com, Record for Carlise E Sears.
<http://search.ancestry.com/cgi-bin/sse.dll?db=7857&h=520705&indiv=try>.

Horace Woods was born at perh in West Butler, Butler, Wayne, New York, { XE "USA, New York, Wayne, Butler, West Butler: :Hibbard, Horace Woods (1841-)" \f "Place" } in 1841.

!S P May p.459 gen freight agent, Vadalua RR and lives in St Louis, MO

Family of Betsy Sears and John Gray{ TC "Betsy Sears and John Gray" \I 3 \f C}



111. Betsy⁵ Sears{ XE "Sears:Betsy (1805-1874)" \f "Name" \b } (*Silas⁴, Sergt Richard³, Silas²*) was born on Friday, 22nd November 1805, in Schoharie, Schoharie, New York, USA{ XE "USA, New York, Schoharie, Schoharie:(42.6659° N, 74.3096° W):Sears, Betsy (1805-1874)" \f "Place" }.^[217] She was the daughter of Silas Sears{ XE "Sears:Silas (1781-1830)" \f "Name" \i } (13) and Sally Roberts{ XE "Roberts:Sally (1781-1855)" \f "Name" \i } (14).

Betsy died in Dimock, Susquehanna, Pennsylvania,{ XE "USA, Pennsylvania, Susquehanna, Dimock:(41.7464° N, 75.8986° W):Sears, Betsy (1805-1874)" \f "Place" } on 4th February 1874, at the age of 68.

!S.P. May No 1929a ii handnotes rem'd to Orwell, PA, 10 Mar 1828; & thence to Dimock, PA, 2 May 1840 !

!Garford F Williams letter 9 Aug '93 - I figured her birth abt 23 Nov 1805 from the family monument. She was m. in Rensselaer co in 1825 to John Winthrop Gray. He left this area and went to Schoharie co, NY, where he met Betsey. They had two children. Most of this information was found in her obituary. The latter states that she had a sister, Aunt Mary (Sears) Washburn. In 1850 federal census, with Betsey is her mother Sallie Sears, aged 71 yrs, born in NY. Sallie died with Betsey, and JW Gray was administrator of her estate, being appointed 3 Sep 1855. They must have sent her body back to her home in NY, and settled the estate there.

²¹⁷ Ancestry.com, Pennsylvania, Death Certificates, 1906-1963 (Provo, UT, USA, Ancestry.com Operations, Inc., 2014), Ancestry.com, Pennsylvania Historic and Museum Commission; Pennsylvania, USA; Pennsylvania, Death Certificates, 1906-1965; Certificate Number Range: 013880-017234. Record for Jonas A Gray. <http://search.ancestry.com/cgi-bin/sse.dll?db=5164&h=2552583&indiv=try>. [Source citation includes one media item]

112. Betsy married **John Gray**{ XE "Gray:John (1803–1889)" \f "Name" \b \i } in 1825 in Dimock{ XE "USA, Pennsylvania, Susquehanna, Dimock:(41.7464° N, 75.8986° W):Sears, Betsy (1805–1874)" \f "Place" }.^[217] They had two sons: Jonas (1827–1906) and Silas (1828–1884).

John was born in Groton, New London, Connecticut,{ XE "USA, Connecticut, New London, Groton:(41.3501° N, 72.0784° W):Gray, John (1803–1889)" \f "Place" } on Thursday, 3rd March 1803.^[217] He reached 86 years of age and died in Dimock, Susquehanna, Pennsylvania,{ XE "USA, Pennsylvania, Susquehanna, Dimock:(41.7464° N, 75.8986° W):Gray, John (1803–1889)" \f "Place" } on 14th March 1889.

Sons of Betsy Sears and John Gray:

m I. **Jonas Abisha⁶ Gray**{ XE "Gray:Jonas Abisha (1827–1906)" \f "Name" \b } was born in Schoharie, Schoharie, New York,{ XE "USA, New York, Schoharie, Schoharie:(42.6659° N, 74.3096° W):Gray, Jonas Abisha (1827–1906)" \f "Place" } on 12th April 1827.^[217] He died in Dimock, Susquehanna, Pennsylvania,{ XE "USA, Pennsylvania, Susquehanna, Dimock:(41.7464° N, 75.8986° W):Gray, Jonas Abisha (1827–1906)" \f "Place" } on 24th February 1906, at the age of 78.^[217] Jonas Abisha was buried in Dimock{ XE "USA, Pennsylvania, Susquehanna, Dimock:(41.7464° N, 75.8986° W):Gray, Jonas Abisha (1827–1906)" \f "Place" }.

At the age of 35, Jonas Abisha married **Caroline C Allander**{ XE "Allander:Caroline C (1844–1920)" \f "Name" \b \i } on Saturday, 16th August 1862, in Harford{ XE "USA, Pennsylvania, Susquehanna, Harford:(41.7822° N, 75.7019° W):Gray, Jonas Abisha (1827–1906)" \f "Place" } when she was 18 years old. by Rev Joanthan K Peck, M.A. They had ten children: Charles (1863–), Bertha (1866–1938), John (1868–), Georgianna (1870–), Henrietta (1872–), William (1874–), Rose (1876–), Mollie (1878–), Joney (1880–) and Caroline (1882–).

Caroline C was born in Duncannon, Perry,{ XE "USA, Pennsylvania, Perry, Duncannon:(40.3981° N, 77.0231° W):Allander, Caroline C (1844–1920)" \f "Place" } on Wednesday, 17th April 1844. She reached 75 years of age and died in Dimock Twp, Susquehanna,{ XE "USA, Pennsylvania, Susquehanna, Dimock Twp:(41.7464° N, 75.8986° W):Allander, Caroline C (1844–1920)" \f "Place" } on 21st February 1920. Caroline C was buried. Dimock Cemetery.

Garford Williams: birth place and death

m II. **Silas Philip Gray**{ XE "Gray:Silas Philip (1828–1884)" \f "Name" \b } was born in Orwell Township, Bradford, Pennsylvania,{ XE "USA, Pennsylvania, Bradford, Orwell Township:(41.8839° N, 76.2775° W):Gray, Silas Philip (1828–1884)" \f "Place" } on 13th September 1828.^[218] He died in Cascade Valley, Windsor, Broome, New York,{ XE "USA, New York, Broome, Windsor, Cascade Valley: :Gray, Silas Philip (1828–1884)" \f "Place" } on 22nd February 1884, at the age of 55.^[218] Silas Philip was buried in Evergreen Cemetery, Susquehanna, Susquehanna, Pennsylvania{ XE "USA, Pennsylvania, Susquehanna, Susquehanna, Evergreen Cemetery: :Gray, Silas Philip (1828–1884)" \f "Place" }. His estate was probated on 15th September 1885, in Broome, New York{ XE "USA, New York, Broome:(42.1642° N, 75.8197° W):Gray, Silas Philip (1828–1884)" \f "Place" }.^[218]

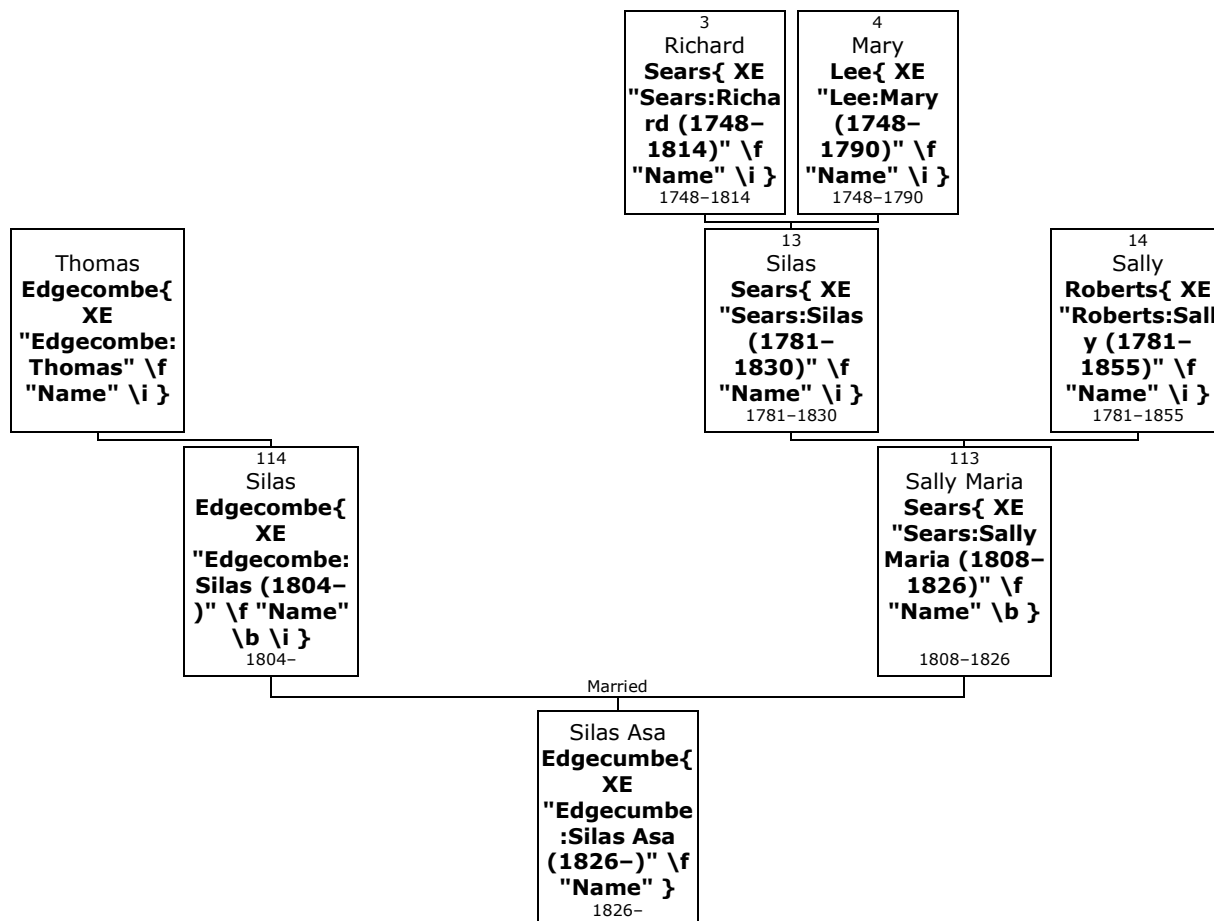
Silas Philip Gray married **Elizabeth Hoffman**{ XE "Hoffman:Elizabeth (1830–1893)" \f "Name" \b \i } on Tuesday, 28th January 1851, in Lewis house, Binghamton, Broome{ XE "USA, New York, Broome, Binghamton, Lewis house: :Gray, Silas Philip (1828–1884)" \f "Place" }. They had four children: Silas (1851–1877), Emelina (1853–1895), Charles (1855–1862) and Alice (1863–1877).

Elizabeth was born in Greene{ XE "USA, New York, Greene:(42.292° N, 74.1288° W):Hoffman, Elizabeth (1830–1893)" \f "Place" } in 1830. She reached 63 years of age and died in Cascade Valley, Windsor, Broome,{ XE "USA, New York, Broome, Windsor, Cascade Valley: :Hoffman, Elizabeth (1830–1893)" \f "Place" } on 1st April 1893. Elizabeth was buried in Evergreen Cemetery, Susquehanna, Pennsylvania{ XE "USA, Pennsylvania, Susquehanna, Evergreen Cemetery: :Hoffman, Elizabeth (1830–1893)" \f "Place" }.

²¹⁸ Ancestry.com, New York, Wills and Probate Records, 1659-1999 (Provo, UT, USA, Ancestry.com Operations, Inc., 2015), Ancestry.com, Probate Records, 1830-1903; Author: New York. Surrogate's Court (Broome County); Probate Place: Broome, New York.

Corrections from Garford Williams: surname is Hoffman not Hoppman, birth place is not NYC, added death and burial places, marriage location, married by William M Waterman, d ae abt 62 yrs

Family of Sally Sears and Silas Edgecombe{ TC "Sally Sears and Silas Edgecombe" \I 3 \f C}



- 113.** **Sally Maria⁵ Sears**{ XE "Sears:Sally Maria (1808-1826)" \f "Name" \b } (*Silas⁴, Sergt Richard³, Silas²*) was born on Monday, 4th April 1808, in Schoharie, Schoharie, New York, USA{ XE "USA, New York, Schoharie, Schoharie:(42.6659° N, 74.3096° W):Sears, Sally Maria (1808-1826)" \f "Place" }. She was the daughter of Silas Sears{ XE "Sears:Silas (1781-1830)" \f "Name" \i } (13) and Sally Roberts{ XE "Roberts:Sally (1781-1855)" \f "Name" \i } (14).

Sally Maria died in Shelby, Macomb, Michigan,{ XE "USA, Michigan, Macomb, Shelby:(42.6709° N, 83.033° W):Sears, Sally Maria (1808-1826)" \f "Place" } on 9th February 1826, at the age of 17.

!S.P. May No 1929a iii handnotes rem'd to Shelby, MI and d. there leaving one child

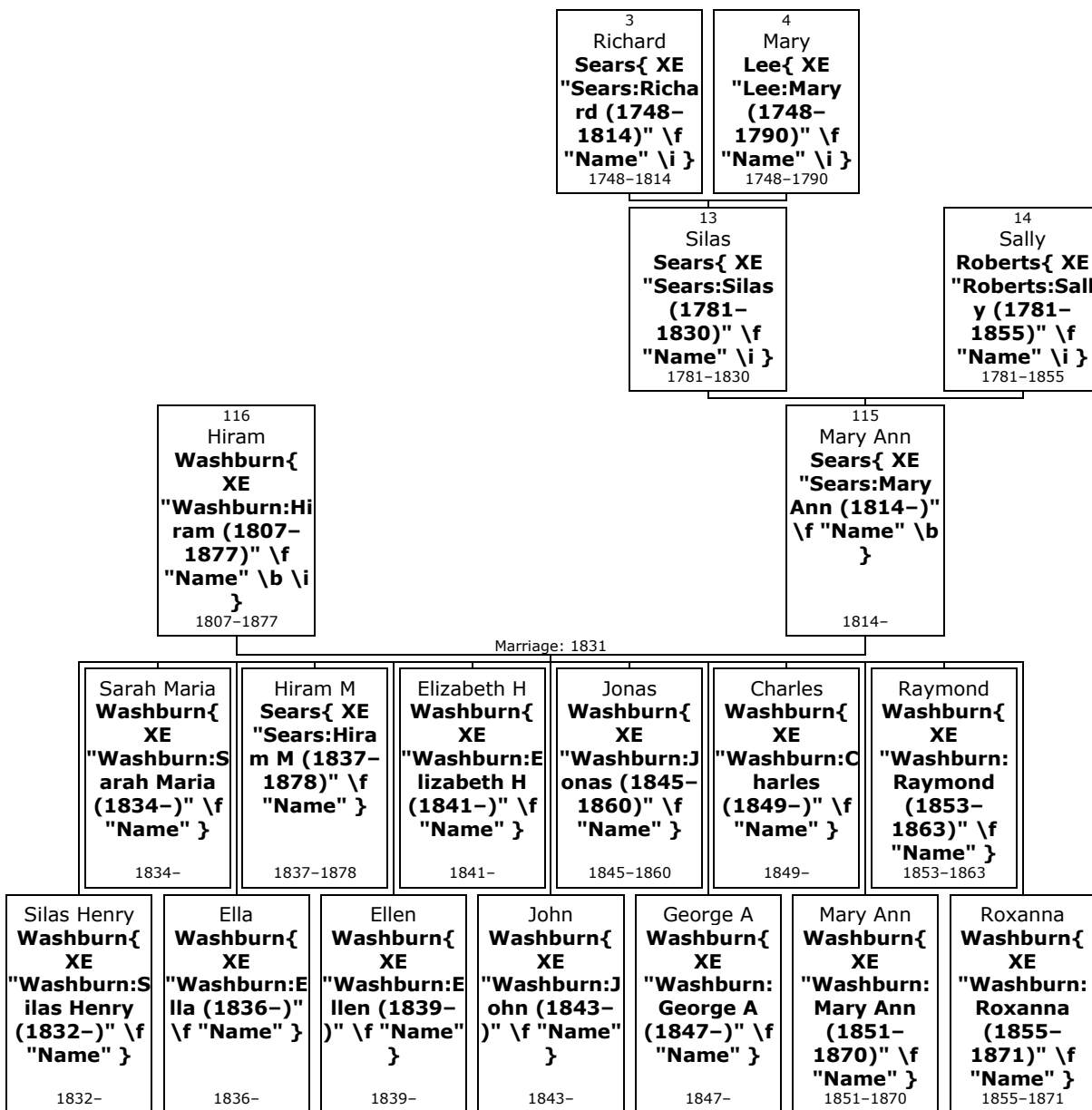
- 114.** Sally Maria married **Silas Edgecombe**{ XE "Edgecombe:Silas (1804-)" \f "Name" \b \i } in Schoharie, New York{ XE "USA, New York, Schoharie:(42.591° N, 74.4394° W):Sears, Sally Maria (1808-1826)" \f "Place" }. They had one son: Silas (1826-).

Silas was born in perh, Schoharie, Schoharie,{ XE "USA, New York, Schoharie, Schoharie, perh: :Edgecumbe, Silas (1804-)" \f "Place" } in 1804. He was the son of Thomas Edgecombe{ XE "Edgecombe:Thomas" \f "Name" \i }.

Son of Sally Maria Sears and Silas Edgecombe:

- m I. **Silas Asa⁶ Edgecumbe**{ XE "Edgecumbe:Silas Asa (1826-)" \f "Name" \b } was born in perh, Schoharie,{ XE "USA, New York, Schoharie, perh: :Edgecumbe, Silas Asa (1826-)" \f "Place" } in 1826.

Family of Mary Sears and Hiram Washburn{ TC "Mary Sears and Hiram Washburn" \I 3 \f C}



115. **Mary Ann⁵ Sears**{ XE "Sears:Mary Ann (1814-)" \f "Name" \b } (*Silas⁴, Sergt Richard³, Silas²*) was born on Saturday, 30th July 1814, in Schoharie, Schoharie, New York, USA{ XE "USA, New York, Schoharie, Schoharie:(42.6659° N, 74.3096° W):Sears, Mary Ann (1814-)" \f "Place" }. She was the daughter of Silas Sears{ XE "Sears:Silas (1781-1830)" \f "Name" \i } (13) and Sally Roberts{ XE "Roberts:Sally (1781-1855)" \f "Name" \i } (14).

!S.P. May No 1929a iv handnotes She lives near Camptown, Bradford co, PA, with her dau. Mrs Elizabeth H Clark

<https://www.wikitree.com/wiki/Sears-6132>

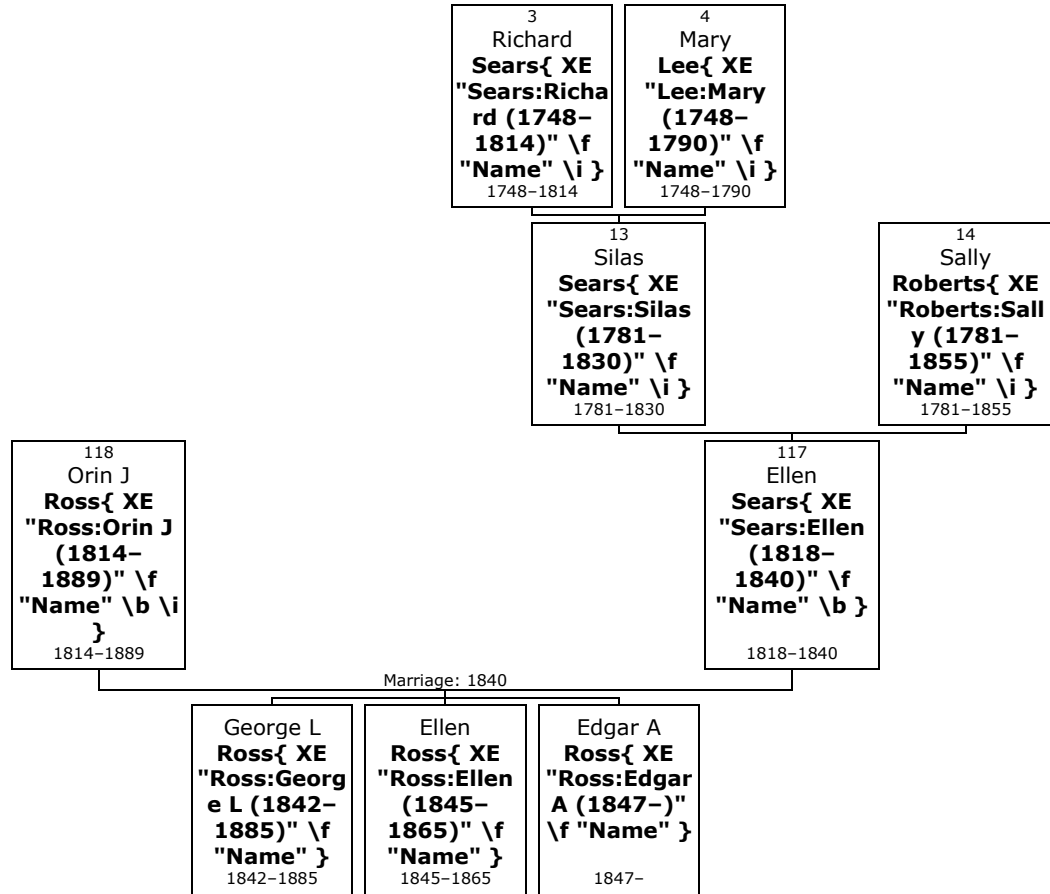
116. Mary Ann married **Hiram Washburn**{ XE "Washburn:Hiram (1807-1877)" \f "Name" \b \i } on Tuesday, 31st May 1831, in Rome, Bradford, Pennsylvania{ XE "USA, Pennsylvania, Bradford, Rome:(41.8583° N, 76.3411° W):Sears, Mary Ann (1814-)" \f "Place" }. They had thirteen children: Silas (1832-), Sarah (1834-), Ella (1836-), Hiram (1837-1878), Ellen (1839-), Elizabeth (1841-), John (1843-), Jonas (1845-1860), George (1847-), Charles (1849-), Mary (1851-1870), Raymond (1853-1863) and Roxanna (1855-1871).

Hiram was born in Trumansburg, Tompkins, New York, { XE "USA, New York, Tompkins, Trumansburg:(42.5423° N, 76.6661° W):Washburn, Hiram (1807–1877)" \f "Place" } in 1807. He reached 70 years of age and died in 1877.

Children of Mary Ann Sears and Hiram Washburn:

- m I. **Silas Henry⁶ Washburn**{ XE "Washburn:Silas Henry (1832–)" \f "Name" \b } was born on 23rd September 1832. Unmarried.
- f II. **Sarah Maria Washburn**{ XE "Washburn:Sarah Maria (1834–)" \f "Name" \b } was born on 2nd June 1834.
Sarah Maria married **Jesse H Brewster**{ XE "Brewster:Jesse H" \f "Name" \b \i }.
- f III. **Ella Washburn**{ XE "Washburn:Ella (1836–)" \f "Name" \b } was born on 22nd December 1836.
- m IV. **Hiram M Sears**{ XE "Sears:Hiram M (1837–1878)" \f "Name" \b } was born on 17th December 1837. He died on 17th July 1878, at the age of 40.
- f V. **Ellen Washburn**{ XE "Washburn:Ellen (1839–)" \f "Name" \b } was born on 14th October 1839.
Ellen married **(unknown given name) Ryerson**{ XE "Ryerson:(unknown given name)" \f "Name" \b \i }.
- f VI. **Elizabeth H Washburn**{ XE "Washburn:Elizabeth H (1841–)" \f "Name" \b } was born on 18th May 1841.
Elizabeth H married **Alonzo H Simpson**{ XE "Simpson:Alonzo H" \f "Name" \b \i }.
Elizabeth H married **Theodore Clark**{ XE "Clark:Theodore (–1889)" \f "Name" \b \i } on Tuesday, 13th April 1880. They had no known children.
Theodore died on 8th July 1889.
!S.P. May handnotes a soldier in 112 Reg PA VOIs
- m VII. **John Washburn**{ XE "Washburn:John (1843–)" \f "Name" \b } was born on 18th April 1843.
John married **Hannah Ryan**{ XE "Ryan:Hannah" \f "Name" \b \i }.
- m VIII. **Jonas Washburn**{ XE "Washburn:Jonas (1845–1860)" \f "Name" \b } was born on 15th November 1845. He died on 20th January 1860, at the age of 14.
- m IX. **George A Washburn**{ XE "Washburn:George A (1847–)" \f "Name" \b } was born on 17th March 1847.
- m X. **Charles Washburn**{ XE "Washburn:Charles (1849–)" \f "Name" \b } was born on 10th May 1849.
Charles married **Lucy Ross**{ XE "Ross:Lucy" \f "Name" \b \i }.
- f XI. **Mary Ann Washburn**{ XE "Washburn:Mary Ann (1851–1870)" \f "Name" \b } was born on 3rd June 1851. She died in December 1870 at the age of 19.
- m XII. **Raymond Washburn**{ XE "Washburn:Raymond (1853–1863)" \f "Name" \b } was born on 22nd May 1853. He died on 19th October 1863, at the age of 10.
- f XIII. **Roxanna Washburn**{ XE "Washburn:Roxanna (1855–1871)" \f "Name" \b } was born on 6th September 1855. She died on 14th August 1871, at the age of 15.

Family of Ellen Sears and Orin Ross{ TC "Ellen Sears and Orin Ross" \i 3 \f C}



117. Ellen⁵ Sears{ XE "Sears:Ellen (1818-1840)" \f "Name" \b } (*Silas⁴, Sergt Richard³, Silas²*) was born on Wednesday, 18th March 1818, in Schoharie, Schoharie, New York, USA{ XE "USA, New York, Schoharie, Schoharie:(42.6659° N, 74.3096° W):Sears, Ellen (1818-1840)" \f "Place" }. She was the daughter of Silas Sears{ XE "Sears:Silas (1781-1830)" \f "Name" \i } (13) and Sally Roberts{ XE "Roberts:Sally (1781-1855)" \f "Name" \i } (14).

Ellen died on 3rd October 1840, at the age of 22.

SP May No 1929a vi
<https://www.wikitree.com/wiki/Sears-6133>

118. At the age of 22, Ellen married **Orin J Ross**{ XE "Ross:Orin J (1814-1889)" \f "Name" \b \i } on Monday, 14th September 1840, in Susquehanna, Pennsylvania,{ XE "USA, Pennsylvania, Susquehanna:(41.8227° N, 75.8003° W):Sears, Ellen (1818-1840)" \f "Place" } when he was 26 years old. They had three children: George (1842-1885), Ellen (1845-1865) and Edgar (1847-).

Orin J was born in perh, Schoharie, Schoharie, New York,{ XE "USA, New York, Schoharie, Schoharie, perh: :Ross, Orin J (1814-1889)" \f "Place" } on Wednesday, 27th April 1814. He reached 75 years of age and died on 6th May 1889.

Children of Ellen Sears and Orin J Ross:

- m I. **George L⁶ Ross**{ XE "Ross:George L (1842-1885)" \f "Name" \b } was born in perh, Susquehanna Co,{ XE "USA, Pennsylvania, Susquehanna Co, perh: :Ross, George L (1842-1885)" \f "Place" } on 8th May 1842.^[219] He died at Oakhill Cemetery in Towanda, Bradford,{ XE "USA, Pennsylvania, Bradford, Towanda:(41.7676° N, 76.4427° W):Ross, George L (1842-1885)" \f "Place" } on 9th July 1885, at the age of 43.^[219]

²¹⁹ FamilySearch.org, FamilySearch Family Tree, FamilySearch, "Family Tree," database, <i>FamilySearch</i> (<http://familysearch.org> : modified 16 January 2017, 20:07), entry for George L. Ross(PID <https://familysearch.org/ark:/61903/4:1:KD1D-HX3>); contributed by various users. PersonID KD1D-HX3. George L. Ross. <https://familysearch.org/ark:/61903/4:1:KD1D-HX3>.

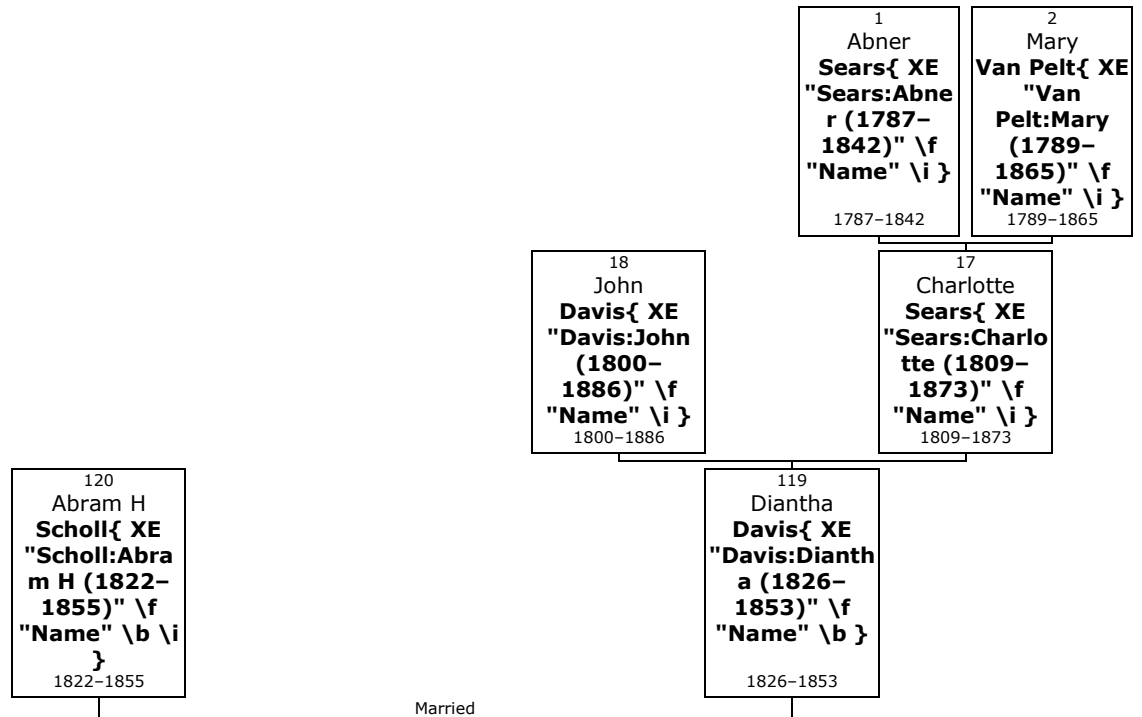
George L married **Gennette A Kipp**{ XE "Kipp:Gennette A (1843–1909)" \f "Name" \b \i } on Tuesday, 25th December 1866, in Bradford{ XE "USA, Pennsylvania, Bradford:(41.7928° N, 76.5181° W):Ross, George L (1842–1885)" \f "Place" }.^[219] They had two daughters: Minnie (1868–1937) and Mary (1871–1936).

Gennette A was born in Bradford{ XE "USA, Pennsylvania, Bradford:(41.7928° N, 76.5181° W):Kipp, Gennette A (1843–1909)" \f "Place" } in 1843. She reached 66 years of age and died in Towanda, Bradford,{ XE "USA, Pennsylvania, Bradford, Towanda:(41.7676° N, 76.4427° W):Kipp, Gennette A (1843–1909)" \f "Place" } in 1909. Gennette A was buried at Oakhill Cemetery in Bradford{ XE "USA, Pennsylvania, Bradford:(41.7928° N, 76.5181° W):Kipp, Gennette A (1843–1909)" \f "Place" }.

- f II. **Ellen Ross**{ XE "Ross:Ellen (1845–1865)" \f "Name" \b } was born in perh{ XE "USA, Pennsylvania, Susquehanna Co, perh: :Ross, Ellen (1845–1865)" \f "Place" } on 23rd March 1845. She died on 1st January 1865, at the age of 19.
- m III. **Edgar A Ross**{ XE "Ross:Edgar A (1847–)" \f "Name" \b } was born in perh{ XE "USA, Pennsylvania, Susquehanna Co, perh: :Ross, Edgar A (1847–)" \f "Place" } on 18th June 1847.

Grandchildren{ TC "Grandchildren" \I 2 \f C}

Family of Diantha Davis and Abram Scholl{ TC "Diantha Davis and Abram Scholl" \I 3 \f C}



- 119.** **Diantha⁶ Davis**{ XE "Davis:Diantha (1826-1853)" \f "Name" \b } (*Charlotte⁵ Sears, Abner⁴, Sergt Richard³, Silas²*) was born on Saturday, 22nd July 1826. She was the daughter of John Davis{ XE "Davis:John (1800-1886)" \f "Name" \i } (18) and Charlotte Sears{ XE "Sears:Charlotte (1809-1873)" \f "Name" \i } (17).

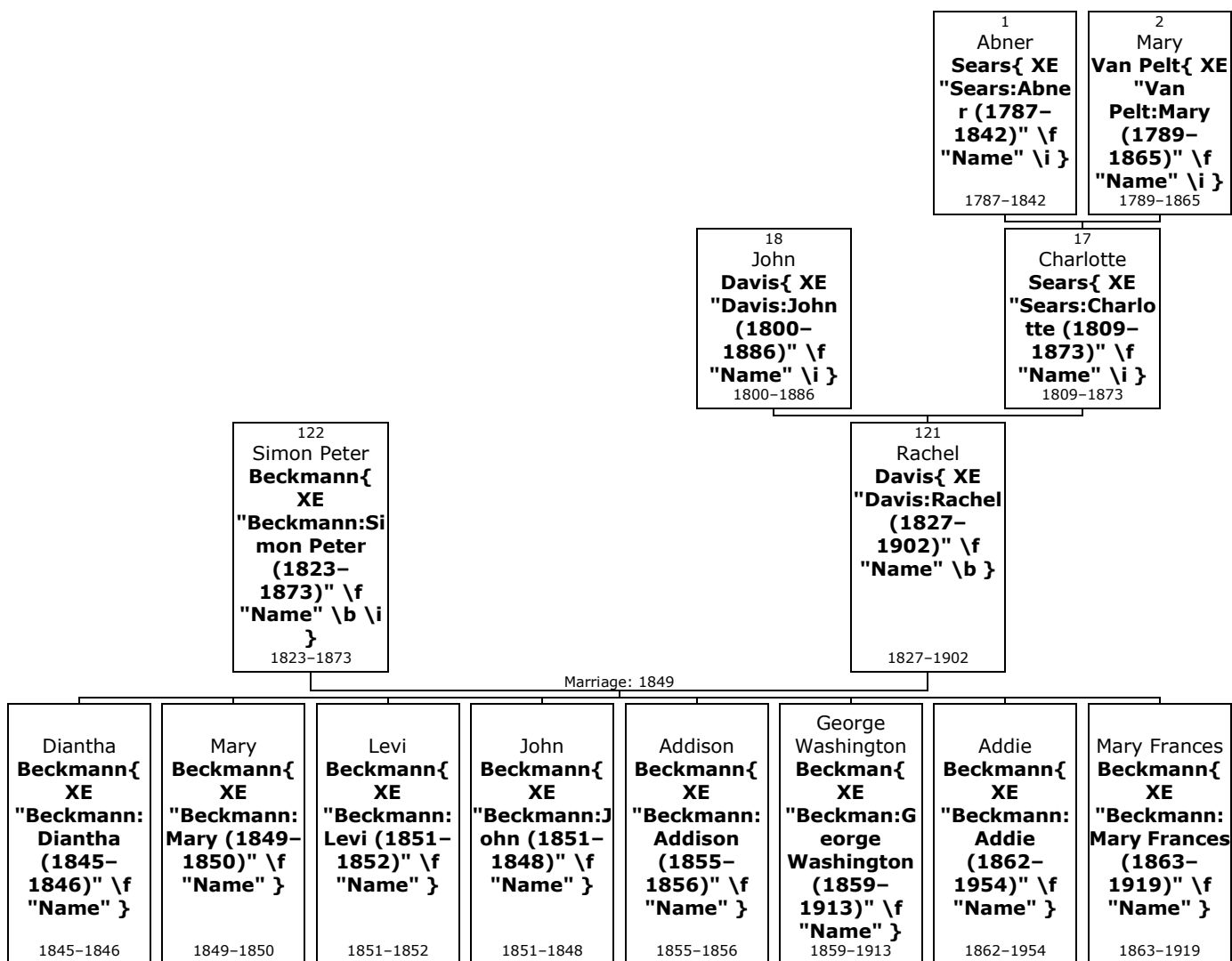
Diantha died on 23rd October 1853, at the age of 27.

d.s.p.

- 120.** She married **Abram H Scholl**{ XE "Scholl:Abram H (1822-1855)" \f "Name" \b }. They had no known children.

Abram H was born in 1822. He reached 33 years of age and died on 28th October 1855.

Family of Rachel Davis and Simon Beckmann{ TC "Rachel Davis and Simon Beckmann" \I 3 \f C}



121. Rachel⁶ Davis{ XE "Davis:Rachel (1827-1902)" \f "Name" \b } (*Charlotte⁵ Sears, Abner⁴, Sergt Richard³, Silas²*) was born on Wednesday, 28th November 1827, at of Yankeetown in Fayette, Ohio, USA{ XE "USA, Ohio, Fayette:(39.5647° N, 83.4508° W):Davis, Rachel (1827-1902)" \f "Place" }.^[220, 221, 222, 223]

²²⁰ FamilySearch.org, FamilySearch Family Tree, FamilySearch, "Family Tree," database, <i>FamilySearch</i> (<http://familysearch.org> : modified 25 November 2018, 03:47), entry for Rachel Davis(PID <https://familysearch.org/ark:/61903/4:1:KCVB-HGY>); contributed by various users. PersonID KCVB-HGY. Rachel Davis. <https://familysearch.org/ark:/61903/4:1:KCVB-HGY>.

²²¹ FamilySearch.org, FamilySearch Family Tree, FamilySearch, Transcription of headstone image from billiongraves.com. Image taken at Marlboro Friends Meeting (New Market, North Carolina, United States) on 08 November 2013. Headstone image of Rachel Davis from billiongraves.com. https://billiongraves.com/grave/Rachel-Davis/5819714?utm_campaign=treeconnect&utm_source=familysearch.org&utm_medium=sourcelink.

²²² FamilySearch.org, FamilySearch Family Tree, FamilySearch, "United States Census, 1860," database with images, <i>FamilySearch</i> (<https://familysearch.org/ark:/61903/1:1:MX41-87W> : 13 December 2017), R Beckman in entry for P Beckman, 1860. R Beckman in household of P Beckman, "United States Census, 1860". <https://familysearch.org/ark:/61903/1:1:MX41-87W>.

²²³ FamilySearch.org, FamilySearch Family Tree, FamilySearch, "Illinois Marriages, 1815-1935," database, <i>FamilySearch</i> (<https://familysearch.org/ark:/61903/1:1:V2G4-N9G> : 10 February 2018), Simon Peter Beckman and Rachael Davis, 06 Dec 1849; citing Brown County, Illinois; FHL microfilm 2,021,549. Rachael Davis, "Illinois Marriages, 1815-1935". <https://familysearch.org/ark:/61903/1:1:V2G4-N9G>.

224, 225, 226, 227-228] She was the daughter of John Davis{ XE "Davis:John (1800-1886)" \f "Name" \i } (18) and Charlotte Sears{ XE "Sears:Charlotte (1809-1873)" \f "Name" \i } (17).

Rachel died in Springville, Utah, Utah,{ XE "USA, Utah, Utah, Springville:(40.1652° N, 111.6107° W):Davis, Rachel (1827-1902)" \f "Place" } on 16th November 1902, at the age of 74.^[220] She was buried in Springville{ XE "USA, Utah, Utah, Springville:(40.1652° N, 111.6107° W):Davis, Rachel (1827-1902)" \f "Place" }.^[220]

!S P May p.309 She lives Main Prairie, MN

<http://search.ancestry.com/cgi-bin/sse.dll?db=60525&h=1203789&indiv=try> - FindAGrave

More facts and events for Rachel Davis:

Residence: 1860 Lee, Brown, Illinois{ XE "USA, Illinois, Brown, Lee:(41.7951° N, 88.9409° W):Davis, Rachel (1827-1902)" \f "Place" }.^[220]

- 122.** Rachel married **Simon Peter Beckmann**{ XE "Beckmann:Simon Peter (1823-1873)" \f "Name" \b \i } on Thursday, 6th December 1849, in Brown{ XE "USA, Illinois, Brown:(39.9544° N, 90.7505° W):Davis, Rachel (1827-1902)" \f "Place" }.^[220, 228] They had eight children: Diantha (1845-1846), Mary (1849-1850), Levi (1851-1852), John (1851-1848), Addison (1855-1856), George (1859-1913), Addie (1862-1954) and Mary (1863-1919).

Simon Peter was born in 1823. Simon Peter was buried at Mount Pleasant Fargo Cemetery in Brown, Illinois,{ XE "USA, Illinois, Brown:(39.9544° N, 90.7505° W):Beckmann, Simon Peter (1823-1873)" \f "Place" } in 1873. He reached 50 years of age and died in Maine Prairie, Stearns, Minnesota,{ XE "USA, Minnesota, Stearns, Maine Prairie:(45.3621° N, 94.2832° W):Beckmann, Simon Peter (1823-1873)" \f "Place" } on 10th April 1873.

Children of Rachel Davis and Simon Peter Beckmann:

- f I. **Diantha⁷ Beckmann**{ XE "Beckmann:Diantha (1845-1846)" \f "Name" \b } was born in 1845. She died in 1846 at the age of 1.
- f II. **Mary Beckmann**{ XE "Beckmann:Mary (1849-1850)" \f "Name" \b } was born in 1849. She died in 1850 at the age of 1.
- m III. **Levi Beckmann**{ XE "Beckmann:Levi (1851-1852)" \f "Name" \b } was born in 1851. He died in 1852 at the age of 1.
- m IV. **John Beckmann**{ XE "Beckmann:John (1851-1848)" \f "Name" \b } was born in 1851. He died in 1848 at the age of -3.
- m V. **Addison Beckmann**{ XE "Beckmann:Addison (1855-1856)" \f "Name" \b } was born in 1855. He died in 1856 at the age of 1.
- m VI. **George Washington Beckman**{ XE "Beckman:George Washington (1859-1913)" \f "Name" \b } was born in Mount Sterling, Brown,{ XE "USA, Illinois, Brown, Mount Sterling:(39.9873° N, 90.7635° W):Beckman, George Washington (1859-1913)" \f

²²⁴ FamilySearch.org, FamilySearch Family Tree, FamilySearch, "Illinois, County Marriages, 1810-1940," database, <i>FamilySearch</i> (https://familysearch.org/ark:/61903/1:1:X2PR-H7V : 4 November 2017), Rachel Davis in entry for George Whitesides and Ada Beckelet, 1879; citing Brown, Illinois, United States, county. Rachel Davis in entry for George Whitesides and Ada Beckelet, "Illinois, County Marriages, 1810-1940". https://familysearch.org/ark:/61903/1:1:X2PR-H7V.

²²⁵ FamilySearch.org, FamilySearch Family Tree, FamilySearch, "Illinois, County Marriages, 1810-1940," database, <i>FamilySearch</i> (https://familysearch.org/ark:/61903/1:1:X2RD-DGD : 4 November 2017), Rachel Davis in entry for George Whitesides and Ada Beckman, 1879; citing Brown, Illinois, United States, county o. Rachel Davis in entry for George Whitesides and Ada Beckman, "Illinois, County Marriages, 1810-1940". https://familysearch.org/ark:/61903/1:1:X2RD-DGD.

²²⁶ FamilySearch.org, FamilySearch Family Tree, FamilySearch, "Illinois Marriages, 1815-1935," database, <i>FamilySearch</i> (https://familysearch.org/ark:/61903/1:1:V2P7-5MJ : 10 February 2018), Rachel Davis in entry for George Whitesides and Ada Beckman, 16 Aug 1879; citing Mt Sterling, Brown, Illinois; FHL microf. Rachel Davis in entry for George Whitesides and Ada Beckman, "Illinois Marriages, 1815-1935". https://familysearch.org/ark:/61903/1:1:V2P7-5MJ.

²²⁷ FamilySearch.org, FamilySearch Family Tree, FamilySearch, "Illinois, County Marriages, 1810-1940," database, <i>FamilySearch</i> (https://familysearch.org/ark:/61903/1:1:X2RC-VXH : 4 November 2017), Simon Peter Beckman and Rachael Davis, 1849; citing Brown, Illinois, United States, county offices, Illinois; FHL. Rachael Davis, "Illinois, County Marriages, 1810-1940". https://familysearch.org/ark:/61903/1:1:X2RC-VXH.

²²⁸ Ancestry.com, Illinois, Marriage Index, 1860-1920 (Provo, UT, USA, Ancestry.com Operations, Inc., 2015), Ancestry.com, Record for Rachel Davis. <http://search.ancestry.com/cgi-bin/sse.dll?db=60984&h=1766415&indiv=try>.

"Place" } on 28th August 1859. He died in Burley, Cassia, Idaho,{ XE "USA, Idaho, Cassia, Burley:(42.5357° N, 113.7928° W):Beckman, George Washington (1859–1913)" \f "Place" } on 25th September 1913, at the age of 54. George Washington was buried at Evergreen Cemetery in Springville, Utah, Utah{ XE "USA, Utah, Utah, Springville:(40.1652° N, 111.6107° W):Beckman, George Washington (1859–1913)" \f "Place" }.

More facts and events for George Washington Beckman:

Residence: 1860 Lee, Brown, Illinois{ XE "USA, Illinois, Brown, Lee:(41.7951° N, 88.9409° W):Beckman, George Washington (1859–1913)" \f "Place" }

Residence: 1900 Maine Prairie, Stearns, Minnesota{ XE "USA, Minnesota, Stearns, Maine Prairie:(45.3621° N, 94.2832° W):Beckman, George Washington (1859–1913)" \f "Place" }
Kimball Prairie village

George Washington married **Nellie Greely**{ XE "Greely:Nellie" \f "Name" \b \i }.

f VII. **Addie Beckmann**{ XE "Beckmann:Addie (1862–1954)" \f "Name" \b } was born in Mount Sterling{ XE "USA, Illinois, Brown, Mount Sterling:(39.9873° N, 90.7635° W):Beckmann, Addie (1862–1954)" \f "Place" } on 25th August 1862. She worked as a Keeping House.

Addie died in Joplin, Jasper County,{ XE "USA, Missouri, Jasper County, Joplin:(37.0842° N, 94.5131° W):Beckmann, Addie (1862–1954)" \f "Place" } on 26th September 1954, at the age of 92. She was buried in El Dorado Springs, Cedar{ XE "USA, Missouri, Cedar, El Dorado Springs:(37.877° N, 94.0214° W):Beckmann, Addie (1862–1954)" \f "Place" }.

More facts and events for Addie Beckmann:

Residence: 1880 Buckhorn, Brown, Illinois{ XE "USA, Illinois, Brown, Buckhorn:(39.9367° N, 90.8358° W):Beckmann, Addie (1862–1954)" \f "Place" }

Residence: 1900 Box Township, Cedar, Missouri{ XE "USA, Missouri, Cedar, Box Township: :Beckmann, Addie (1862–1954)" \f "Place" }

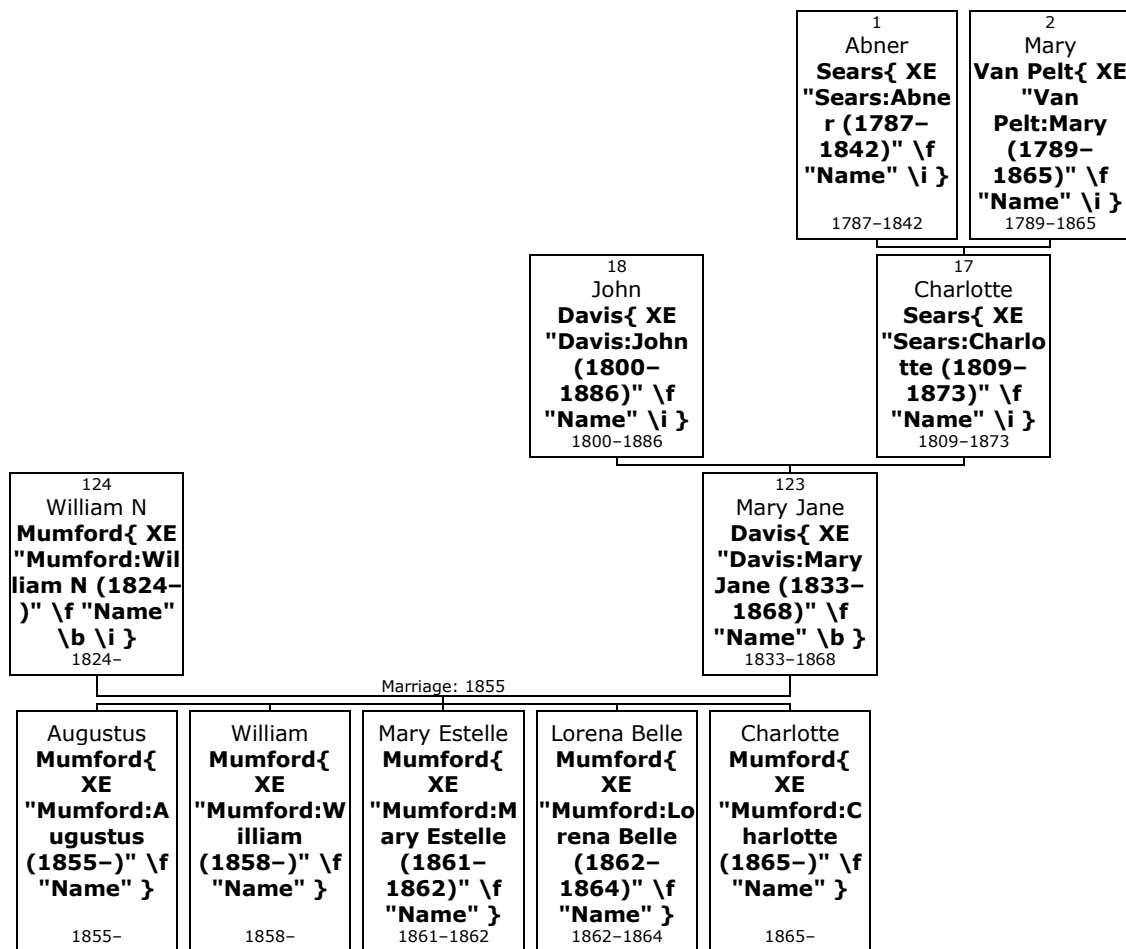
Residence: 1910 Box{ XE "USA, Missouri, Cedar, Box: :Beckmann, Addie (1862–1954)" \f "Place" }
Ward 1

Residence: 1920 El Dorado Springs{ XE "USA, Missouri, Cedar, El Dorado Springs:(37.877° N, 94.0214° W):Beckmann, Addie (1862–1954)" \f "Place" }
Ward 2

Addie married **George R Whiteside**{ XE "Whiteside:George R" \f "Name" \b \i }.

f VIII. **Mary Frances Beckmann**{ XE "Beckmann:Mary Frances (1863–1919)" \f "Name" \b } was born in 1863. She died in 1919 at the age of 56.

Family of Mary Davis and William Mumford{ TC "Mary Davis and William Mumford" \I 3 \f C}



123. **Mary Jane⁶ Davis**{ XE "Davis:Mary Jane (1833-1868)" \f "Name" \b } (*Charlotte⁵ Sears, Abner⁴, Sergt Richard³, Silas²*) was born on Sunday, 8th September 1833.^[229] She was the daughter of John Davis{ XE "Davis:John (1800-1886)" \f "Name" \i } (18) and Charlotte Sears{ XE "Sears:Charlotte (1809-1873)" \f "Name" \i } (17).

Mary Jane died on 16th June 1868, at the age of 34.

CONFLICT- Massachusetts Marriage record shows m. 31 May 1855 in New Bedford to William Vickers- Mary Jane's parents in this record are listed as John and Charlotte- must be a coincidence??

S P May said she m. William N Mumford which matches the Illinois record

Illinois Marriage Records
 Name: Mary Jane Davis
 Gender: Female
 Marriage Date: 4 Jan 1855
 Marriage Place: Brown, Illinois, USA
 Spouse Name: William Mumford
 Spouse Gender: Male

!https://www.findagrave.com/memorial/34032571
 Name: Mary Jane Mumford
 Maiden Name: Davis
 Birth Date: 8 Sep 1833

²²⁹ Ancestry.com, Massachusetts, Marriage Records, 1840-1915 (Provo, UT, USA, Ancestry.com Operations, Inc., 2013), Ancestry.com, New England Historic Genealogical Society; Boston, Massachusetts; Massachusetts Vital Records, 1911-1915. Record for Mary Jane Davis. <http://search.ancestry.com/cgi-bin/sse.dll?db=2511&h=16775034&indiv=try>. [Source citation includes one media item]

Birth Place: Scott County, Illinois, United States of America
 Death Date: 16 Jan 1868
 Death Place: Brown County, Illinois, United States of America
 Cemetery: Mount Pleasant Fargo Cemetery
 Burial or Cremation Place: Fargo, Brown County, Illinois, United States of America
 Has Bio?: Y
 Father: John Davis
 Mother: Charlotte Davis
 Spouse: William N Mumford
 Children: William Mumford
 August Mumford

- 124.** At the age of 21, Mary Jane married **William N Mumford**{ XE "Mumford:William N (1824-)" \f "Name" \b \i } on Thursday, 4th January 1855, when he was 30 years old. They had five children: Augustus (1855-), William (1858-), Mary (1861-1862), Lorena (1862-1864) and Charlotte (1865-).

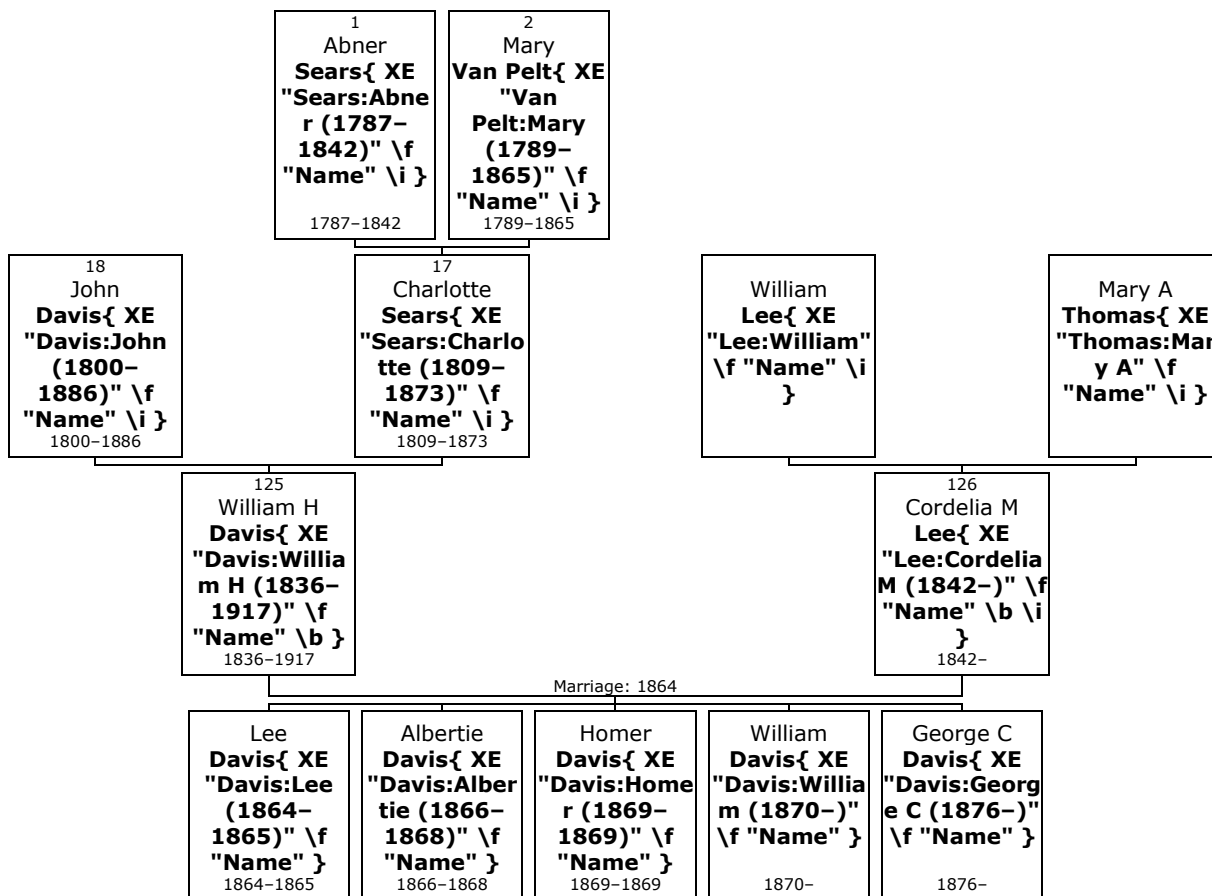
William N was born in Newport Corner, Hants, Nova Scotia, Canada,{ XE "Canada, Nova Scotia, Hants, Newport Corner:(44.9667° N, 63.9667° W):Mumford, William N (1824-)" \f "Place" } on Monday, 26th January 1824.

!S P May p.309 Was Capt, Co E, 199th Regt, IL Vols, during the war

Children of Mary Jane Davis and William N Mumford:

- m I. **Augustus⁷ Mumford**{ XE "Mumford:Augustus (1855-)" \f "Name" \b } was born in perh,{ XE "Canada, Nova Scotia, Hants, Newport Corner, perh: :Mumford, Augustus (1855-)" \f "Place" } on 23rd October 1855.
Augustus married **Arminta Petty**{ XE "Petty:Arminta" \f "Name" \b \i }.
- m II. **William Mumford**{ XE "Mumford:William (1858-)" \f "Name" \b } was born in perh{ XE "Canada, Nova Scotia, Hants, Newport Corner, perh: :Mumford, William (1858-)" \f "Place" } on 25th October 1858.
William married **Kate Barry**{ XE "Barry:Kate" \f "Name" \b \i }.
- f III. **Mary Estelle Mumford**{ XE "Mumford:Mary Estelle (1861-1862)" \f "Name" \b } was born in perh{ XE "Canada, Nova Scotia, Hants, Newport Corner, perh: :Mumford, Mary Estelle (1861-1862)" \f "Place" } on 14th January 1861. She died on 11th June 1862, at the age of 1.
- f IV. **Lorena Belle Mumford**{ XE "Mumford:Lorena Belle (1862-1864)" \f "Name" \b } was born in perh{ XE "Canada, Nova Scotia, Hants, Newport Corner, perh: :Mumford, Lorena Belle (1862-1864)" \f "Place" } on 1st December 1862. She died on 13th October 1864, at the age of 1.
- f V. **Charlotte Mumford**{ XE "Mumford:Charlotte (1865-)" \f "Name" \b } was born in perh{ XE "Canada, Nova Scotia, Hants, Newport Corner, perh: :Mumford, Charlotte (1865-)" \f "Place" } on 31st December 1865.
Charlotte married **Arthur K Thompson**{ XE "Thompson:Arthur K" \f "Name" \b \i }.

Family of William Davis and Cordelia Lee{ TC "William Davis and Cordelia Lee" \I 3 \f C}



125. William H⁶ Davis{ XE "Davis:William H (1836-1917)" \f "Name" \b } (*Charlotte⁵ Sears, Abner⁴, Sergt Richard³, Silas²*) was born on Friday, 9th December 1836, in Illinois, USA{ XE "USA, Illinois:(39.7333° N, 88.5° W):Davis, William H (1836-1917)" \f "Place" }.^[230] He was the son of John Davis{ XE "Davis:John (1800-1886)" \f "Name" \i } (18) and Charlotte Sears{ XE "Sears:Charlotte (1809-1873)" \f "Name" \i } (17).

William H died at Age: 80 in Lee, Brown, Illinois,{ XE "USA, Illinois, Brown, Lee:(41.7951° N, 88.9409° W):Davis, William H (1836-1917)" \f "Place" } on 22nd February 1917, at the age of 80.^[230] He was buried at Age: 80 in Fargo Cemetery{ XE "USA, Illinois, Brown, Fargo Cemetery: :Davis, William H (1836-1917)" \f "Place" } on 24th February 1917.^[230]

!S P May p.309 He was in Co E, 119th Vols, during the war

126. At the age of 27, William H married **Cordelia M Lee**{ XE "Lee:Cordelia M (1842-)" \f "Name" \b \i } on Thursday, 10th March 1864, when she was 21 years old. They had five children: Lee (1864-1865), Albertie (1866-1868), Homer (1869-1869), William (1870-) and George (1876-).

Cordelia M was born on Sunday, 26th June 1842. She was the daughter of William Lee{ XE "Lee:William" \f "Name" \i } and Mary A Thomas{ XE "Thomas:Mary A" \f "Name" \i }.

Birth: 1841
 Buckhorn
 Brown County
 Illinois, USA
 Death: 1927
 Brown County
 Illinois, USA
 Daughter of William & Mary Thomas Lee

Married William H Davis

²³⁰ Ancestry.com, Illinois, Deaths and Stillbirths Index, 1916-1947 (Provo, UT, USA, Ancestry.com Operations, Inc., 2011), Ancestry.com, Record for William H. Davis. <http://search.ancestry.com/cgi-bin/sse.dll?db=2542&h=955907&indiv=try>.

on March 12, 1864 in
Brown County Illinois

Family links:

Parents:

William Lee (1817 - 1884)

Mary A *Thomas* Lee (1820 - 1911)

Spouse:

William H Davis (1836 - 1912)*

Children:

Lee Davis (1865 - 1865)*

George C Davis (1877 - 1937)*

Sibling:

Cordelia M Lee Davis (1841 - 1927)

Elizabeth Lee (1843 - 1859)*

*Calculated relationship

Burial:

Mount Pleasant Fargo Cemetery

Fargo

Brown County

Illinois, USA

Created by: J.R.L.

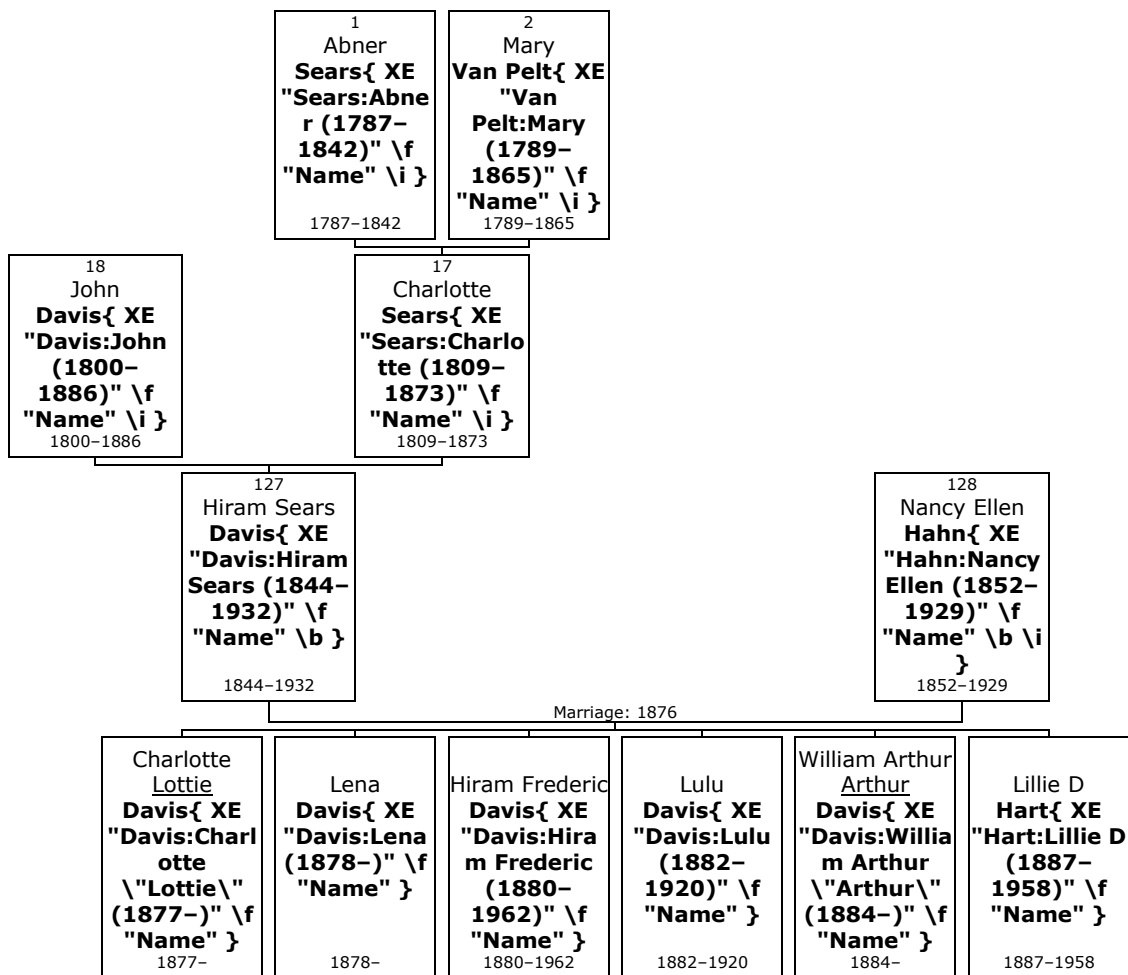
Record added: Feb 20, 2009

Find A Grave Memorial# 34028967

Children of William H Davis and Cordelia M Lee:

- m I. **Lee⁷ Davis**{ XE "Davis:Lee (1864-1865)" \f "Name" \b } was born on 30th December 1864. He died on 12th September 1865.
- f II. **Albertie Davis**{ XE "Davis:Albertie (1866-1868)" \f "Name" \b } was born on 15th October 1866. She died on 10th September 1868, at the age of 1.
- m III. **Homer Davis**{ XE "Davis:Homer (1869-1869)" \f "Name" \b } was born on 3rd February 1869. He died on 21st March 1869.
- m IV. **William Davis**{ XE "Davis:William (1870-)" \f "Name" \b } was born on 16th June 1870.
- m V. **George C Davis**{ XE "Davis:George C (1876-)" \f "Name" \b } was born on 10th January 1876.

Family of Hiram Davis and Nancy Hahn{ TC "Hiram Davis and Nancy Hahn" \I 3 \f C}



127. Hiram Sears⁶ Davis{ XE "Davis:Hiram Sears (1844-1932)" \f "Name" \b } (*Charlotte⁵ Sears, Abner⁴, Sergt Richard³, Silas²*) was born on Friday, 22nd March 1844, in Mount Sterling, Brown, Illinois, USA{ XE "USA, Illinois, Brown, Mount Sterling:(39.9873° N, 90.7635° W):Davis, Hiram Sears (1844-1932)" \f "Place" }.^[231, 232] He was the son of John Davis{ XE "Davis:John (1800-1886)" \f "Name" \i } (18) and Charlotte Sears{ XE "Sears:Charlotte (1809-1873)" \f "Name" \i } (17). He was also known as **Hiram S Davis**{ XE "Davis:Hiram S (Hiram S. Davis) (1844-1932)" \f "Name" }.^[231]

Hiram Sears died in Joplin, Jasper, Missouri,{ XE "USA, Missouri, Jasper, Joplin:(37.0842° N, 94.5131° W):Davis, Hiram Sears (1844-1932)" \f "Place" } on 19th February 1932, at the age of 87.^[232] He was buried in Galena, Cherokee, Kansas{ XE "USA, Kansas, Cherokee, Galena:(37.0759° N, 94.6397° W):Davis, Hiram Sears (1844-1932)" \f "Place" }.^[232]

!S P May p.309 He was in Co E, 119th Regt, IL Vols; wounded at Fort Blakesly, AL, 9 Apr 1865, and discharged, Grenville Hospital, LA, 18 Jun 1865

!Daughters Lottie, Lena, Lulu, Lily

!FindAGrave MEMORIAL ID 21748370

Photo added by Betty Saltenberger

Hiram Sears Davis

BIRTH 22 Mar 1844 Mount Sterling, Brown County, Illinois, USA

²³¹ Ancestry.com, 1900 United States Federal Census (Provo, UT, USA, Ancestry.com Operations Inc, 2004), Ancestry.com, Year: 1900; Census Place: Galena Ward 1, Cherokee, Kansas; Page: 6; Enumeration District: 0019; FHL microfilm: 1240473. Record for H T Davis. <http://search.ancestry.com/cgi-bin/sse.dll?db=7602&h=4607324&indiv=try>. [Source citation includes one media item]

²³² Ancestry.com, U.S., Find A Grave Index, 1600s-Current (Provo, UT, USA, Ancestry.com Operations, Inc., 2012), Ancestry.com, Record for Hiram Sears Davis. <http://search.ancestry.com/cgi-bin/sse.dll?db=60525&h=91279155&indiv=try>.

DEATH 19 Feb 1932 (aged 87) Joplin, Jasper County, Missouri, USA
 BURIAL Galena Cemetery Galena, Cherokee County, Kansas, USA [Show Map](#)

More facts and events for Hiram Sears Davis:

Residence: 1900 Galena{ XE "USA, Kansas, Cherokee, Galena:(37.0759° N, 94.6397° W):Davis, Hiram Sears (1844–1932)" \f "Place" }^[231]
 StreetAddress: South Joplin; Age: 56; Occupation: Grocer;
 AbleToSpeakEnglish: Yes; CanRead: Yes; CanWrite: Yes;
 EnumerationDistrict: 0019; HomeMortgaged: F; HomeOwnership: O;
 MonthsUnEmployedPastYear: 0; OwnsFarm: H; YearsMarried: 24;
 MaritalStatus: Marri

- 128.** At the age of 32, Hiram Sears married **Nancy Ellen Hahn**{ XE "Hahn:Nancy Ellen (1852–1929)" \f "Name" \b \i } on Monday, 27th March 1876, when she was 23 years old.^[231, 232] They had six children: Lottie (1877–), Lena (1878–), Hiram (1880–1962), Lulu (1882–1920), Arthur (1884–) and Lillie (1887–1958). Nancy Ellen was born on Tuesday, 8th June 1852.^[231, 232] She reached 76 years of age and died in 1929.^[232] Nancy Ellen was buried in Galena{ XE "USA, Kansas, Cherokee, Galena:(37.0759° N, 94.6397° W):Hahn, Nancy Ellen (1852–1929)" \f "Place" }.^[232]

More facts and events for Nancy Ellen Hahn:

Residence: 1900 Galena{ XE "USA, Kansas, Cherokee, Galena:(37.0759° N, 94.6397° W):Hahn, Nancy Ellen (1852–1929)" \f "Place" }^[231]
 StreetAddress: South Joplin; Age: 48; AbleToSpeakEnglish: Yes; CanRead: Yes; CanWrite: Yes; EnumerationDistrict: 0019; NumberOfChildrenBorn: 7; NumberOfChildrenLiving: 6; YearsMarried: 24; MaritalStatus: Married; RelationToHead: Wife/Ward 1

Children of Hiram Sears Davis and Nancy Ellen Hahn:

- f I. **Charlotte Lottie⁷ Davis**{ XE "Davis:Charlotte \"Lottie\" (1877–)" \f "Name" \b } was born on 16th June 1877.^[231]
 More facts and events for Charlotte Lottie Davis:
 Residence: 1900 Galena{ XE "USA, Kansas, Cherokee, Galena:(37.0759° N, 94.6397° W):Davis, Charlotte \"Lottie\" (1877–)" \f "Place" }^[231]
 StreetAddress: South Joplin; Age: 22; Occupation: Music Teacher; AbleToSpeakEnglish: Yes; CanRead: Yes; CanWrite: Yes; EnumerationDistrict: 0019; MonthsUnEmployedPastYear: 0; MaritalStatus: Single; RelationToHead: Daughter/Ward 1
- f II. **Lena Davis**{ XE "Davis:Lena (1878–)" \f "Name" \b } was born on 29th November 1878.^[231]
 More facts and events for Lena Davis:
 Residence: 1900 Galena{ XE "USA, Kansas, Cherokee, Galena:(37.0759° N, 94.6397° W):Davis, Lena (1878–)" \f "Place" }^[231]
 StreetAddress: South Joplin; Age: 21; Occupation: School Teacher; AbleToSpeakEnglish: Yes; AttendedSchool: 8; CanRead: Yes; CanWrite: Yes; EnumerationDistrict: 0019; MaritalStatus: Single; RelationToHead: Daughter/Ward 1
- m III. **Hiram Frederic Davis**{ XE "Davis:Hiram Frederic (1880–1962)" \f "Name" \b } was born in Galena{ XE "USA, Kansas, Cherokee, Galena:(37.0759° N, 94.6397° W):Davis, Hiram Frederic (1880–1962)" \f "Place" } on 1st August 1880.^[232] He died in Denver, Denver, Colorado,{ XE "USA, Colorado, Denver, Denver:(39.7392° N, 104.9841° W):Davis, Hiram Frederic (1880–1962)" \f "Place" } on 24th December 1962, at the age

of 82.^[232] Hiram Frederic was buried in Denver{ XE "USA, Colorado, Denver, Denver:(39.7392° N, 104.9841° W):Davis, Hiram Frederic (1880–1962)" \f "Place" }.^[232]

- f IV. **Lulu Davis**{ XE "Davis:Lulu (1882–1920)" \f "Name" \b } was born on 31st December 1882.^[231, 232] She died in 1920 at the age of 37.^[232] Lulu was buried in Galena{ XE "USA, Kansas, Cherokee, Galena:(37.0759° N, 94.6397° W):Davis, Lulu (1882–1920)" \f "Place" }.^[232]

More facts and events for Lulu Davis:

Residence: 1900 Galena{ XE "USA, Kansas, Cherokee, Galena:(37.0759° N, 94.6397° W):Davis, Lulu (1882–1920)" \f "Place" }^[231]
StreetAddress: South Joplin; Age: 17; Occupation: At School; AbleToSpeakEnglish: Yes; AttendedSchool: 8; CanRead: Yes; CanWrite: Yes; EnumerationDistrict: 0019; MaritalStatus: Single; RelationToHead: Daughter/Ward 1

- m V. **William Arthur Arthur Davis**{ XE "Davis:William Arthur \"Arthur\" (1884–)" \f "Name" \b } was born on 27th December 1884.^[231]

More facts and events for William Arthur Arthur Davis:

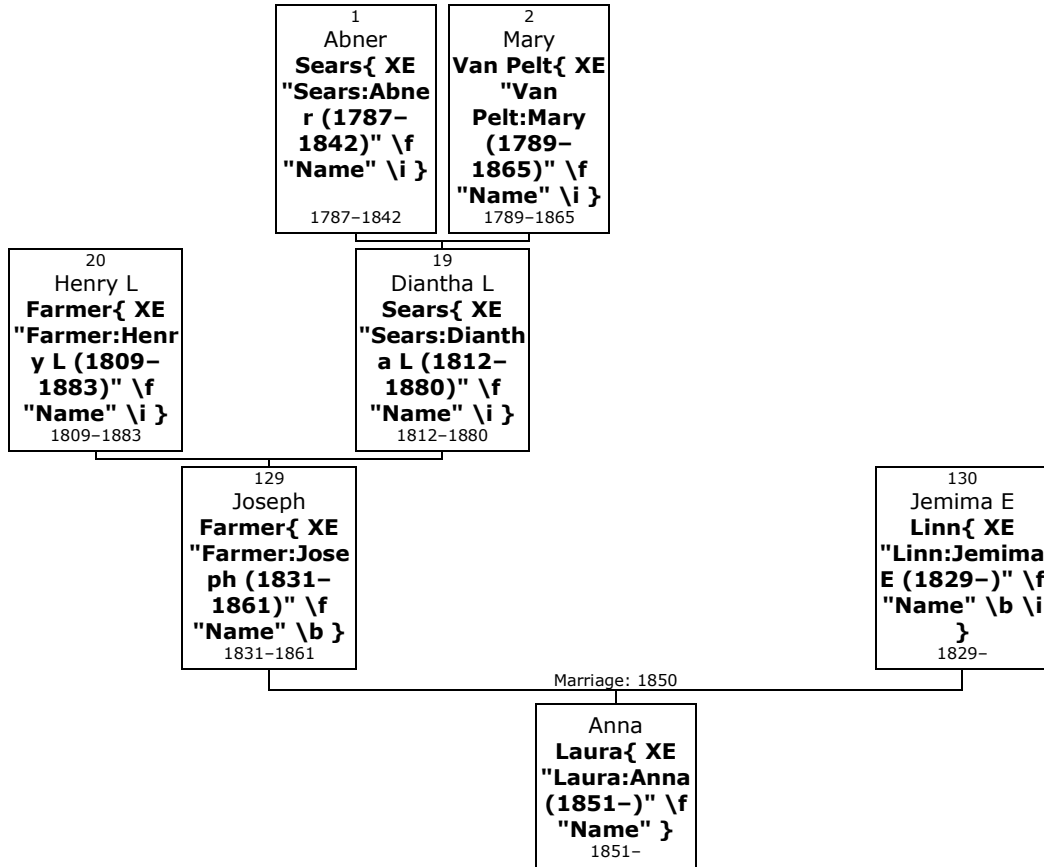
Residence: 1900 Galena{ XE "USA, Kansas, Cherokee, Galena:(37.0759° N, 94.6397° W):Davis, William Arthur \"Arthur\" (1884–)" \f "Place" }^[231]
StreetAddress: South Joplin; Age: 15; Occupation: At School; AbleToSpeakEnglish: Yes; AttendedSchool: 8; CanRead: Yes; CanWrite: Yes; EnumerationDistrict: 0019; MaritalStatus: Single; RelationToHead: Son/Ward 1

- f VI. **Lillie D Hart**{ XE "Hart:Lillie D (1887–1958)" \f "Name" \b } was born on 15th June 1887.^[231, 232] She died on 18th April 1958, at the age of 70.^[232] Lillie D was buried in Jamestown, Stutsman, North Dakota{ XE "USA, North Dakota, Stutsman, Jamestown:(46.9106° N, 98.7084° W):Hart, Lillie D (1887–1958)" \f "Place" }.^[232]

More facts and events for Lillie D Hart:

Residence: 1900 Galena, Cherokee, Kansas{ XE "USA, Kansas, Cherokee, Galena:(37.0759° N, 94.6397° W):Hart, Lillie D (1887–1958)" \f "Place" }^[231]
StreetAddress: South Joplin; Age: 12; Occupation: At School; AbleToSpeakEnglish: Yes; AttendedSchool: 8; CanRead: Yes; CanWrite: Yes; EnumerationDistrict: 0019; MaritalStatus: Single; RelationToHead: Daughter/Ward 1

Family of Joseph Farmer and Jemima Linn{ TC "Joseph Farmer and Jemima Linn" \I 3 \f C}



- 129.** **Joseph⁶ Farmer**{ XE "Farmer:Joseph (1831-1861)" \f "Name" \b } (*Diantha L⁵ Sears, Abner⁴, Sergt Richard³, Silas²*) was born on Tuesday, 4th October 1831. He was the son of Henry L Farmer{ XE "Farmer:Henry L (1809-1883)" \f "Name" \i } (20) and Diantha L Sears{ XE "Sears:Diantha L (1812-1880)" \f "Name" \i } (19).

Joseph died on 15th February 1861, at the age of 29.

!S P May p.310 Adopted dau; He became a popular and useful minister in the U.B. His widow m. 2d Martin Tridell

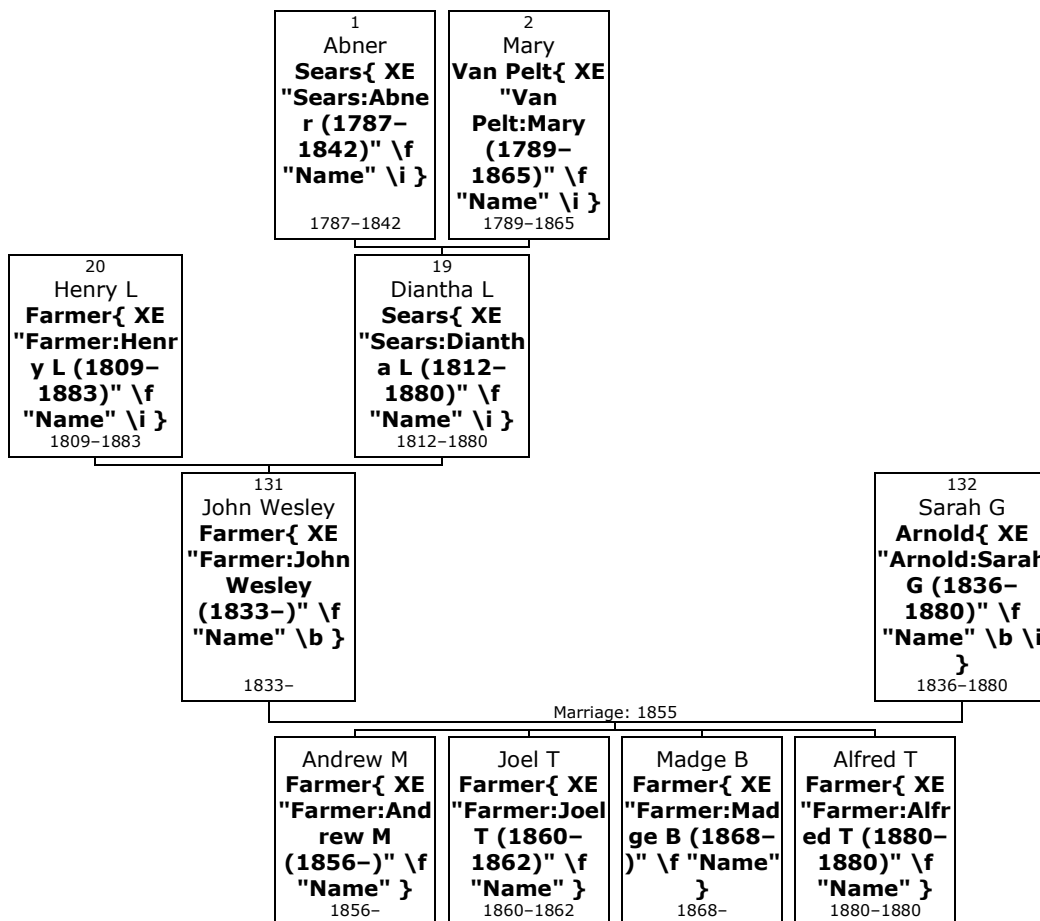
- 130.** Joseph married **Jemima E Linn**{ XE "Linn:Jemima E (1829-)" \f "Name" \b \i } on Sunday, 22nd September 1850. They had one daughter: Anna (1851-).

Jemima E was born in 1829.

Daughter of Joseph Farmer and Jemima E Linn:

- f I. **Anna⁷ Laura**{ XE "Laura:Anna (1851-)" \f "Name" \b } was born in 1851. Adopted.

Family of John Farmer and Sarah Arnold{ TC "John Farmer and Sarah Arnold" \I 3 \f C}



131. John Wesley⁶ Farmer{ XE "Farmer:John Wesley (1833-)" \f "Name" \b } (*Diantha L⁵ Sears, Abner⁴, Sergt Richard³, Silas²*) was born on Sunday, 22nd December 1833.^[233] He was the son of Henry L Farmer{ XE "Farmer:Henry L (1809-1883)" \f "Name" \i } (20) and Diantha L Sears{ XE "Sears:Diantha L (1812-1880)" \f "Name" \i } (19).

!S P May p.310 He entered the Union army as a private in 1862, and was promoted to 1st Lt; has been twice sheriff of the co.

132. At the age of 21, John Wesley married **Sarah G Arnold**{ XE "Arnold:Sarah G (1836-1880)" \f "Name" \b \i } on Thursday, 9th August 1855, in Indiana, USA,{ XE "USA, Indiana:(39.775° N, 85.5584° W):Farmer, John Wesley (1833-)" \f "Place" } when she was 19 years old.^[233] They had four children: Andrew (1856-), Joel (1860-1862), Madge (1868-) and Alfred (1880-1880).

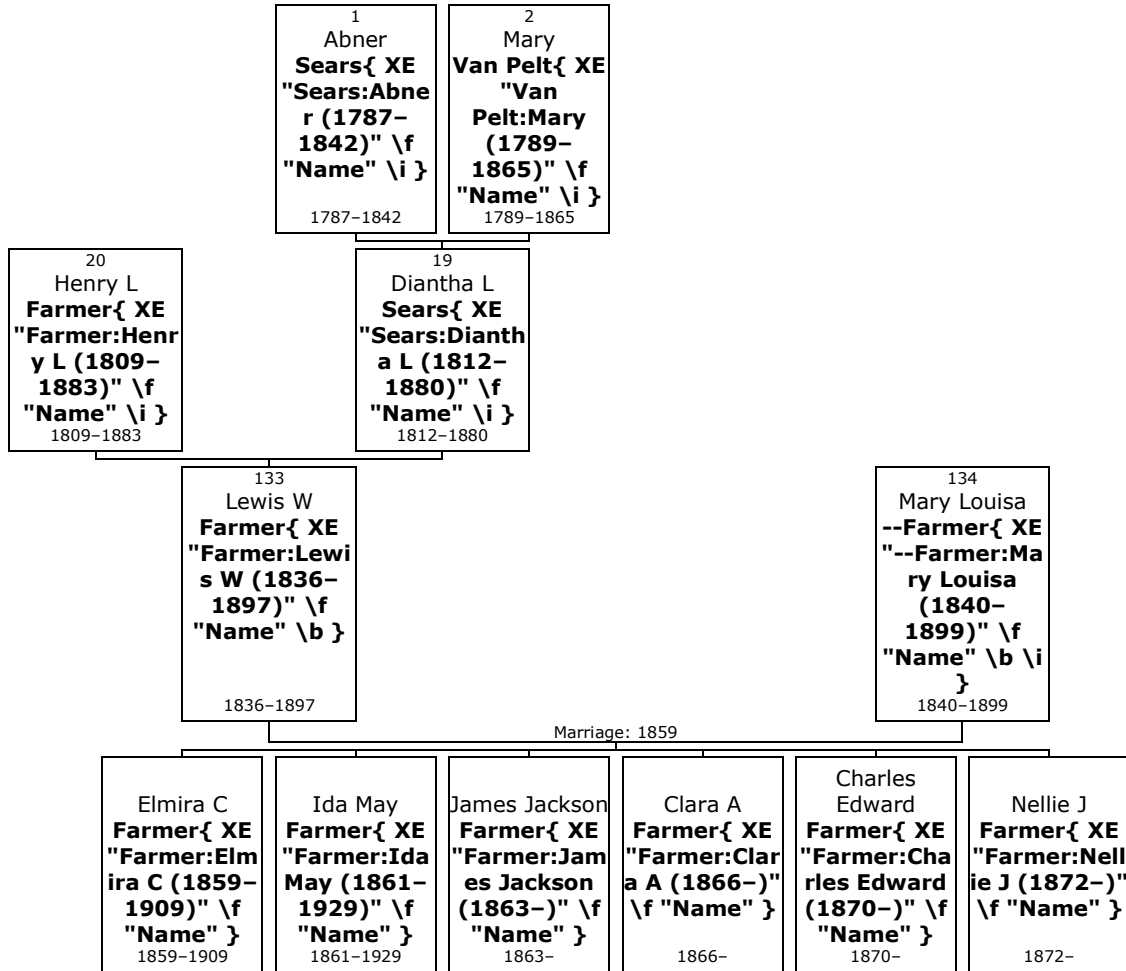
Sarah G was born on Monday, 8th August 1836. She reached 44 years of age and died on 14th October 1880.

Children of John Wesley Farmer and Sarah G Arnold:

- m I. **Andrew M⁷ Farmer**{ XE "Farmer:Andrew M (1856-)" \f "Name" \b } was born on 23rd April 1856.
Andrew M married **Ella M Holcomb**{ XE "Holcomb:Ella M" \f "Name" \b \i }.
- m II. **Joel T Farmer**{ XE "Farmer:Joel T (1860-1862)" \f "Name" \b } was born on 5th October 1860. He died on 14th December 1862, at the age of 2.
- f III. **Madge B Farmer**{ XE "Farmer:Madge B (1868-)" \f "Name" \b } was born on 13th January 1868.
- m IV. **Alfred T Farmer**{ XE "Farmer:Alfred T (1880-1880)" \f "Name" \b } was born on 27th June 1880. He died on 18th December 1880.

²³³ Ancestry.com, Indiana, Marriages, 1810-2001 (Provo, UT, USA, Ancestry.com Operations, Inc., 2014), Ancestry.com, Record for John W Farmer. <http://search.ancestry.com/cgi-bin/sse.dll?db=60282&h=3365199&indiv=try>.

Family of Lewis Farmer and Mary --Farmer{ TC "Lewis Farmer and Mary --Farmer" \I 3 \f C}



- 133.** **Lewis W⁶ Farmer**{ XE "Farmer:Lewis W (1836-1897)" \f "Name" \b } (*Diantha L⁵ Sears, Abner⁴, Sergt Richard³, Silas²*) was born on Saturday, 30th January 1836, in Ohio, USA{ XE "USA, Ohio:(40.2083° N, 81.325° W):Farmer, Lewis W (1836-1897)" \f "Place" }.^[234] He was the son of Henry L Farmer{ XE "Farmer:Henry L (1809-1883)" \f "Name" \i } (20) and Diantha L Sears{ XE "Sears:Diantha L (1812-1880)" \f "Name" \i } (19).

Lewis W died at Ewart in Pleasant Twp{ XE "USA, Iowa, Poweshiek, Pleasant Twp:(40.6328° N, 92.9256° W):Farmer, Lewis W (1836-1897)" \f "Place" } on 9th January 1897, at the age of 60.^[234] He was buried in Pleasant{ XE "USA, Iowa, Poweshiek, Pleasant:(40.6328° N, 92.9256° W):Farmer, Lewis W (1836-1897)" \f "Place" }.^[234]

!S P May p.310 He was in Co B, 40th Regt IA Vols

More facts and events for Lewis W Farmer:

- Residence: 1860 Union{ XE "USA, Iowa, Poweshiek, Union:(42.2457° N, 93.065° W):Farmer, Lewis W (1836-1897)" \f "Place" }.^[234]
- Residence: 1880 Pleasant{ XE "USA, Iowa, Poweshiek, Pleasant:(40.6328° N, 92.9256° W):Farmer, Lewis W (1836-1897)" \f "Place" }.^[234]
- Residence: 1885 Pleasant{ XE "USA, Iowa, Poweshiek, Pleasant:(40.6328° N, 92.9256° W):Farmer, Lewis W (1836-1897)" \f "Place" }.^[234]

- 134.** At the age of 22, Lewis W married **Mary Louisa --Farmer**{ XE "--Farmer:Mary Louisa (1840-1899)" \f "Name" \b \i } on Sunday, 23rd January 1859, in Montezuma{ XE "USA, Iowa, Poweshiek,

²³⁴ "Ancestry Family Tree", Record for Lewis W Farmer.
<http://search.ancestry.com/cgi-bin/sse.dll?db=1030&h=150024926140&indiv=try>.

Montezuma:(41.5858° N, 92.5274° W):Farmer, Lewis W (1836–1897)" \f "Place" } when she was 18 years old.^[234] They had six children: Elmira (1859–1909), Ida (1861–1929), James (1863–), Clara (1866–), Charles (1870–) and Nellie (1872–).

Mary Louisa was born in Greene, Ohio,{ XE "USA, Ohio, Greene:(39.6946° N, 83.8865° W):--Farmer, Mary Louisa (1840–1899)" \f "Place" } on Friday, 28th February 1840.^[234] She reached 59 years of age and died in Pleasant Twp{ XE "USA, Iowa, Poweshiek, Pleasant Twp:(40.6328° N, 92.9256° W):--Farmer, Mary Louisa (1840–1899)" \f "Place" } on 4th July 1899.^[234] Mary Louisa was buried in Poweshiek{ XE "USA, Iowa, Poweshiek:(41.6945° N, 92.5319° W):--Farmer, Mary Louisa (1840–1899)" \f "Place" }.^[234]

More facts and events for Mary Louisa --Farmer:

Residence: 1880 Pleasant, Poweshiek{ XE "USA, Iowa, Poweshiek, Pleasant:(40.6328° N, 92.9256° W):--Farmer, Mary Louisa (1840–1899)" \f "Place" }^[234]

Children of Lewis W Farmer and Mary Louisa --Farmer:

f I. **Elmira C⁷ Farmer**{ XE "Farmer:Elmira C (1859–1909)" \f "Name" \b } was born at Ewart in Pleasant Twp{ XE "USA, Iowa, Poweshiek, Pleasant Twp:(40.6328° N, 92.9256° W):Farmer, Elmira C (1859–1909)" \f "Place" } on 13th November 1859.^[234] She died in San Antonio, Bexar, Texas,{ XE "USA, Texas, Bexar, San Antonio:(29.4241° N, 98.4936° W):Farmer, Elmira C (1859–1909)" \f "Place" } on 23rd May 1909, at the age of 49.^[234] Elmira C married **John H Palmer**{ XE "Palmer:John H" \f "Name" \b \i }.

f II. **Ida May Farmer**{ XE "Farmer:Ida May (1861–1929)" \f "Name" \b } was born on 29th May 1861.^[234] She died in Newton, Jasper,{ XE "USA, Iowa, Jasper, Newton:(41.6997° N, 93.048° W):Farmer, Ida May (1861–1929)" \f "Place" } on 9th January 1929, at the age of 67.^[234]

More facts and events for Ida May Farmer:

Residence: 1880 Pleasant, Poweshiek{ XE "USA, Iowa, Poweshiek, Pleasant:(40.6328° N, 92.9256° W):Farmer, Ida May (1861–1929)" \f "Place" }^[234]

Ida May married **Archibald J Finch**{ XE "Finch:Archibald J" \f "Name" \b \i }.

m III. **James Jackson Farmer**{ XE "Farmer:James Jackson (1863–)" \f "Name" \b } was born on 26th July 1863.^[234]

More facts and events for James Jackson Farmer:

Residence: 1880 Pleasant{ XE "USA, Iowa, Poweshiek, Pleasant:(40.6328° N, 92.9256° W):Farmer, James Jackson (1863–)" \f "Place" }^[234]

f IV. **Clara A Farmer**{ XE "Farmer:Clara A (1866–)" \f "Name" \b } was born on 3rd September 1866.^[234]

More facts and events for Clara A Farmer:

Residence: 1880 Pleasant{ XE "USA, Iowa, Poweshiek, Pleasant:(40.6328° N, 92.9256° W):Farmer, Clara A (1866–)" \f "Place" }^[234]

m V. **Charles Edward Farmer**{ XE "Farmer:Charles Edward (1870–)" \f "Name" \b } was born on 5th April 1870.^[234]

More facts and events for Charles Edward Farmer:

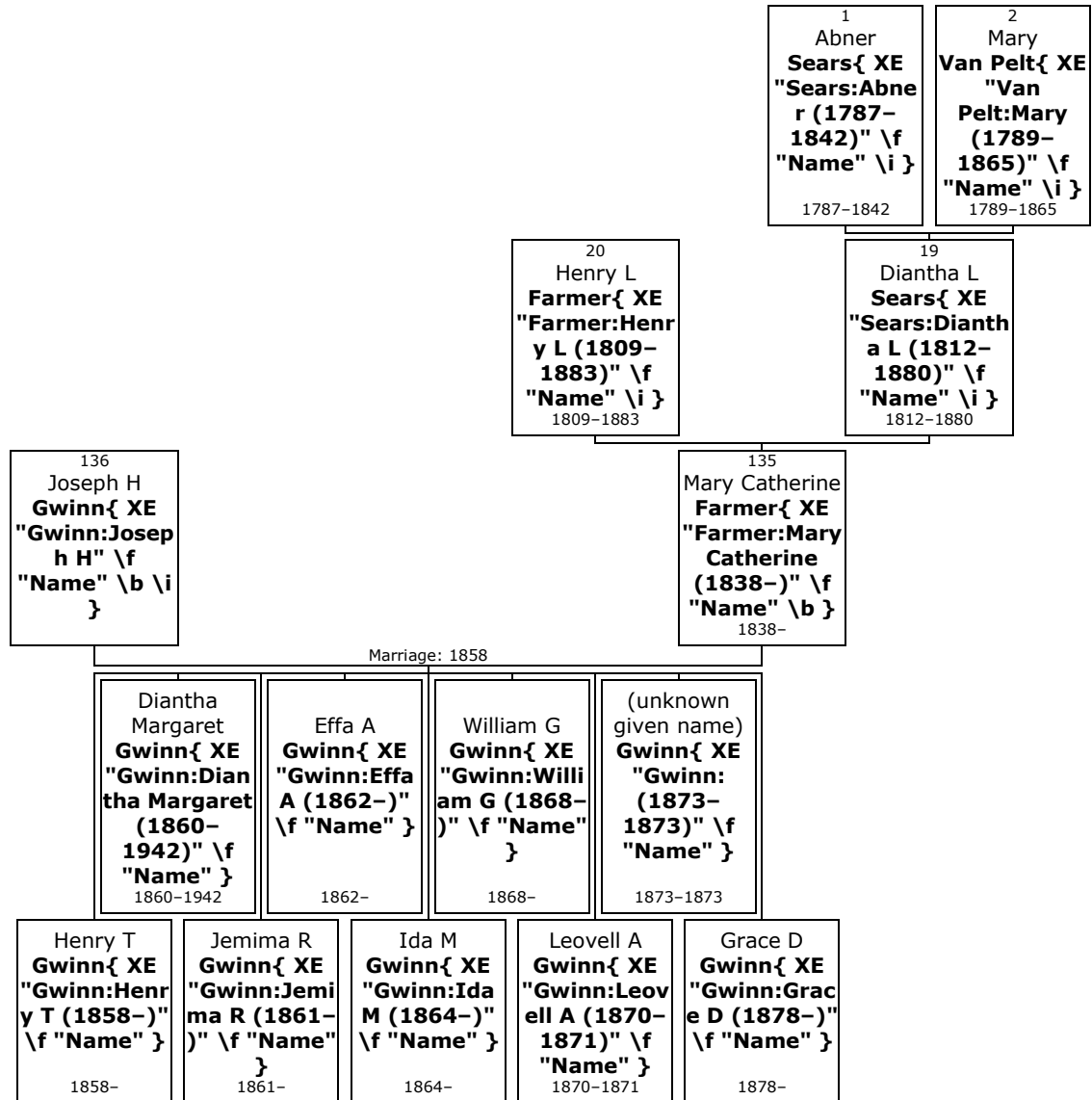
Residence: 1880 Pleasant{ XE "USA, Iowa, Poweshiek, Pleasant:(40.6328° N, 92.9256° W):Farmer, Charles Edward (1870–)" \f "Place" }^[234]

f VI. **Nellie J Farmer**{ XE "Farmer:Nellie J (1872–)" \f "Name" \b } was born on 23rd June 1872.^[234]

More facts and events for Nellie J Farmer:

Residence: 1880 Pleasant{ XE "USA, Iowa, Poweshiek, Pleasant:(40.6328° N, 92.9256° W):Farmer, Nellie J (1872-)" \f "Place" }^[234]

Family of Mary Farmer and Joseph Gwinn{ TC "Mary Farmer and Joseph Gwinn" \I 3 \f C}



135. **Mary Catherine⁶ Farmer**{ XE "Farmer:Mary Catherine (1838-)" \f "Name" \b } (*Diantha L⁵ Sears, Abner⁴, Sergt Richard³, Silas²*) was born on Wednesday, 25th July 1838.^[235] She was the daughter of Henry L Farmer{ XE "Farmer:Henry L (1809-1883)" \f "Name" \i } (20) and Diantha L Sears{ XE "Sears:Diantha L (1812-1880)" \f "Name" \i } (19).

136. Mary Catherine married **Joseph H Gwinn**{ XE "Gwinn:Joseph H" \f "Name" \b \i } on Sunday, 11th April 1858.^[235] They had nine children: Henry (1858-), Diantha (1860-1942), Jemima (1861-), Effa (1862-), Ida (1864-), William (1868-), Leovell (1870-1871), (unknown given name) (1873-1873) and Grace (1878-).

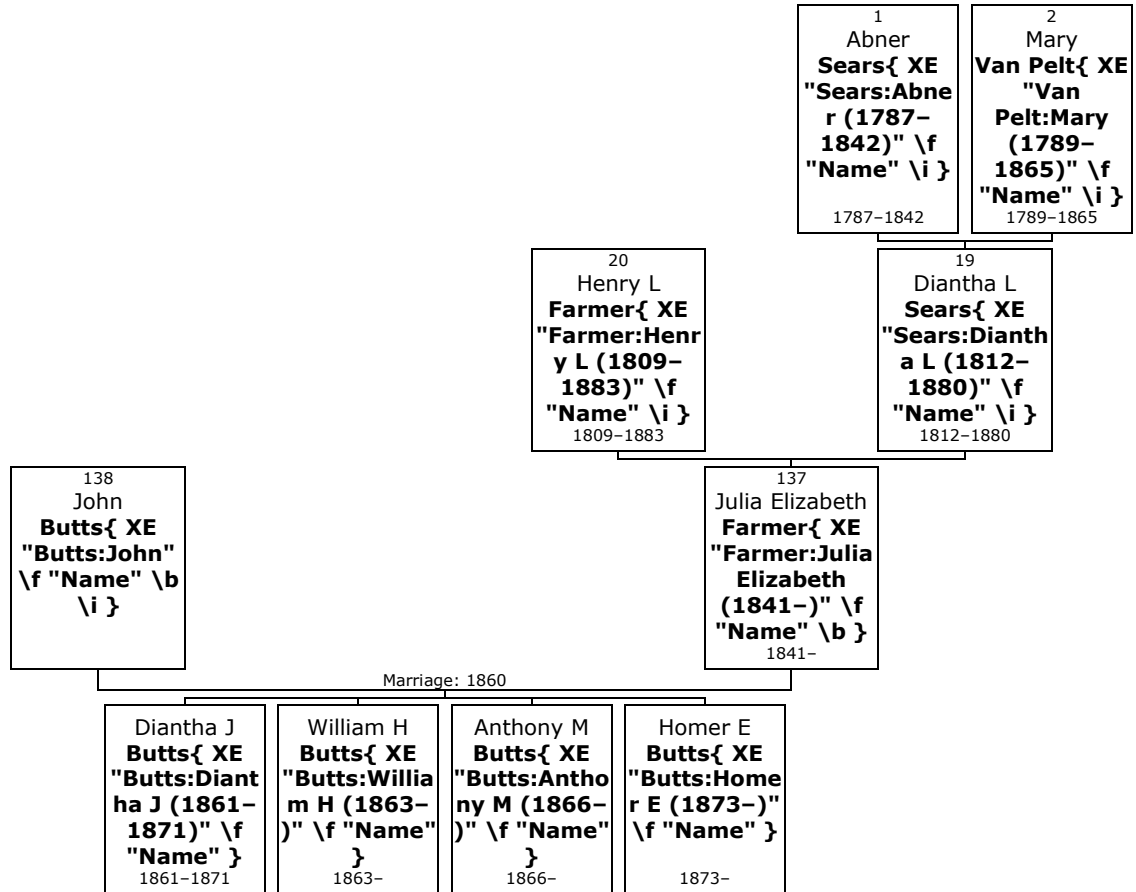
!S.P. May p.310 A J.P. and Not. Pub.

²³⁵ Ancestry.com, Indiana, Death Certificates, 1899-2011 (Provo, UT, USA, Ancestry.com Operations, Inc., 2015), Ancestry.com, Indiana Archives and Records Administration; Indianapolis, IN, USA; Death Certificates; Year: 1942; Roll: 11. Record for Mary Catherine Gwinn. <http://search.ancestry.com/cgi-bin/sse.dll?db=60716&h=751035353&indiv=try>. [Source citation includes one media item]

Children of Mary Catherine Farmer and Joseph H Gwinn:

- m I. **Henry T⁷ Gwinn**{ XE "Gwinn:Henry T (1858-)" \f "Name" \b } was born on 28th December 1858.
- f II. **Diantha Margaret Gwinn**{ XE "Gwinn:Diantha Margaret (1860-1942)" \f "Name" \b } was born in Carroll, Indiana, USA,{ XE "USA, Indiana, Carroll:(40.5839° N, 86.5646° W):Gwinn, Diantha Margaret (1860-1942)" \f "Place" } on 6th August 1860.^[235] She was also known as **Margaret Diantha Gwinn**{ XE "Gwinn:Margaret Diantha (Diantha M. Gwinn) (1860-1942)" \f "Name" }.^[235]
Diantha Margaret died at Age: 82 in Kokomo, Howard,{ XE "USA, Indiana, Howard, Kokomo:(40.4864° N, 86.1336° W):Gwinn, Diantha Margaret (1860-1942)" \f "Place" } on 2nd October 1942, at the age of 82.^[235]
Diantha Margaret married **William T Collins**{ XE "Collins:William T" \f "Name" \b \i }.
- f III. **Jemima R Gwinn**{ XE "Gwinn:Jemima R (1861-)" \f "Name" \b } was born on 18th September 1861.
Jemima R married **Seneca S Maple**{ XE "Maple:Seneca S" \f "Name" \b \i }.
- f IV. **Effa A Gwinn**{ XE "Gwinn:Effa A (1862-)" \f "Name" \b } was born on 3rd September 1862.
- f V. **Ida M Gwinn**{ XE "Gwinn:Ida M (1864-)" \f "Name" \b } was born on 19th September 1864.
- m VI. **William G Gwinn**{ XE "Gwinn:William G (1868-)" \f "Name" \b } was born on 23rd May 1868.
- m VII. **Leovell A Gwinn**{ XE "Gwinn:Leovell A (1870-1871)" \f "Name" \b } was born on 22nd February 1870. He died on 14th February 1871.
- f VIII. **(unknown given name) Gwinn**{ XE "Gwinn: (1873-1873)" \f "Name" \b } was born on 25th July 1873. She died on 17th August 1873.
- f IX. **Grace D Gwinn**{ XE "Gwinn:Grace D (1878-)" \f "Name" \b } was born on 16th March 1878.

Family of Julia Farmer and John Butts{ TC "Julia Farmer and John Butts" \I 3 \f C}



137. **Julia Elizabeth⁶ Farmer**{ XE "Farmer:Julia Elizabeth (1841-)" \f "Name" \b } (*Diantha L⁵ Sears, Abner⁴, Sergt Richard³, Silas²*) was born on Tuesday, 22nd June 1841.^[236] She was the daughter of Henry L Farmer{ XE "Farmer:Henry L (1809-1883)" \f "Name" \i } (20) and Diantha L Sears{ XE "Sears:Diantha L (1812-1880)" \f "Name" \i } (19).

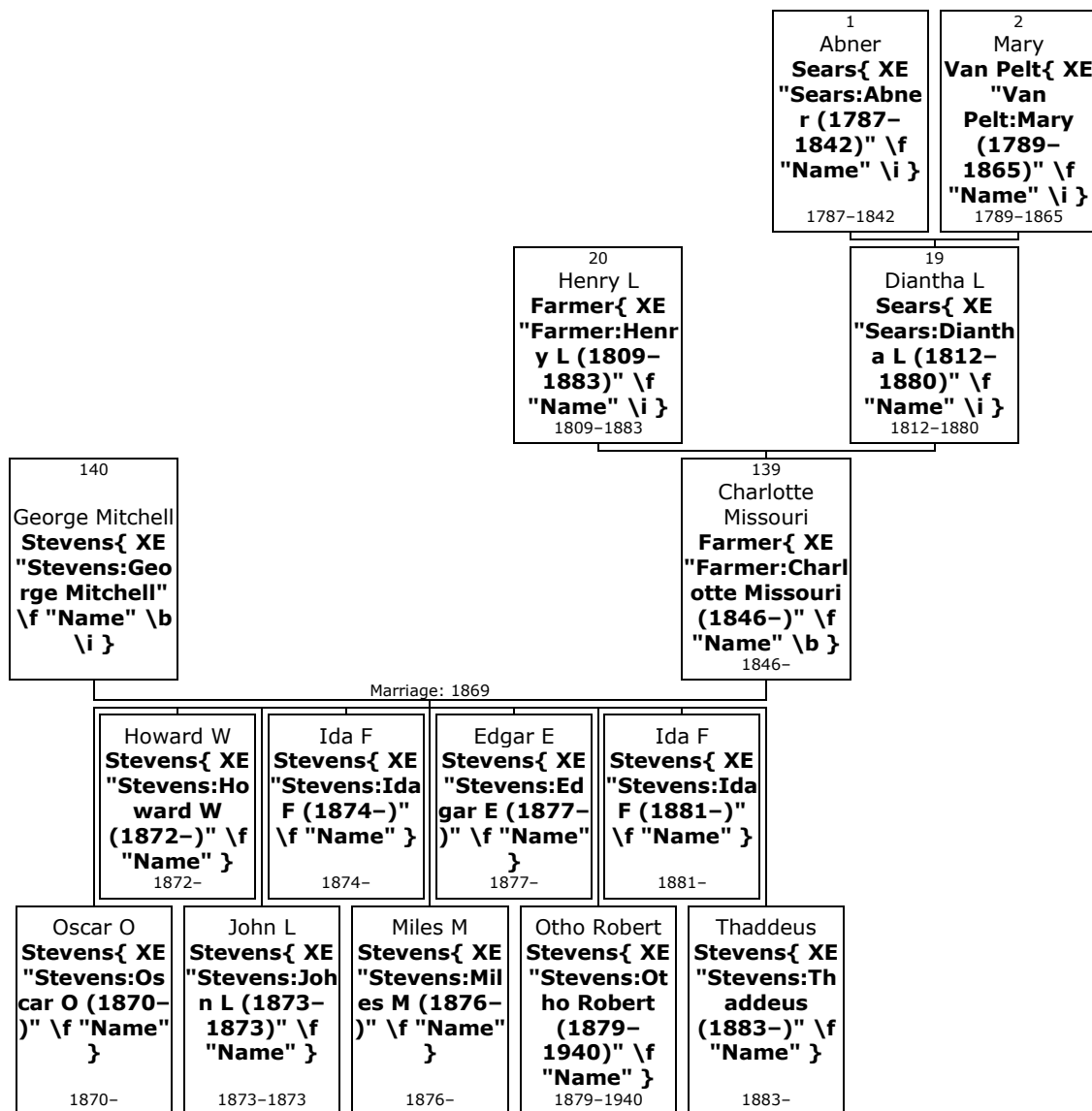
138. Julia Elizabeth married **John Butts**{ XE "Butts:John" \f "Name" \b \i } on Sunday, 29th April 1860, in Poweshiek, Iowa, USA{ XE "USA, Iowa, Poweshiek:(41.6945° N, 92.5319° W):Farmer, Julia Elizabeth (1841-)" \f "Place" \i }.^[236] They had four children: Diantha (1861-1871), William (1863-), Anthony (1866-) and Homer (1873-).

Children of Julia Elizabeth Farmer and John Butts:

- f I. **Diantha J⁷ Butts**{ XE "Butts:Diantha J (1861-1871)" \f "Name" \b } was born on 6th March 1861. She died on 9th January 1871, at the age of 9.
- m II. **William H Butts**{ XE "Butts:William H (1863-)" \f "Name" \b } was born on 29th July 1863.
- m III. **Anthony M Butts**{ XE "Butts:Anthony M (1866-)" \f "Name" \b } was born on 26th July 1866.
- m IV. **Homer E Butts**{ XE "Butts:Homer E (1873-)" \f "Name" \b } was born on 31st January 1873.

²³⁶ Ancestry.com, Iowa, Select Marriages, 1809-1992 (Provo, UT, USA, Ancestry.com Operations, Inc, 2014), Ancestry.com, Record for Julia E. Farmer. <http://search.ancestry.com/cgi-bin/sse.dll?db=60284&h=3342309&indiv=try>.

Family of Charlotte Farmer and George Stevens{ TC "Charlotte Farmer and George Stevens" \I 3 \f C}



139. Charlotte Missouri⁶ Farmer{ XE "Farmer:Charlotte Missouri (1846-)" \f "Name" \b } (*Diantha L⁵ Sears, Abner⁴, Sergt Richard³, Silas²*) was born on Wednesday, 27th May 1846, in Terre Haute, Vigo, Indiana, USA{ XE "USA, Indiana, Vigo, Terre Haute:(39.4667° N, 87.4139° W):Farmer, Charlotte Missouri (1846-)" \f "Place" }.^[237] She was the daughter of Henry L Farmer{ XE "Farmer:Henry L (1809-1883)" \f "Name" \i } (20) and Diantha L Sears{ XE "Sears:Diantha L (1812-1880)" \f "Name" \i } (19).

140. Charlotte Missouri married **George Mitchell Stevens**{ XE "Stevens:George Mitchell" \f "Name" \b \i } on Sunday, 9th May 1869.^[237] They had nine children: Oscar (1870-), Howard (1872-), John (1873-1873), Ida (1874-), Miles (1876-), Edgar (1877-), Otho (1879-1940), Ida (1881-) and Thaddeus (1883-).

George Mitchell was born in Armstrong, Pennsylvania{ XE "USA, Pennsylvania, Armstrong:(40.8124° N, 79.4642° W):Stevens, George Mitchell" \f "Place" }.^[237]

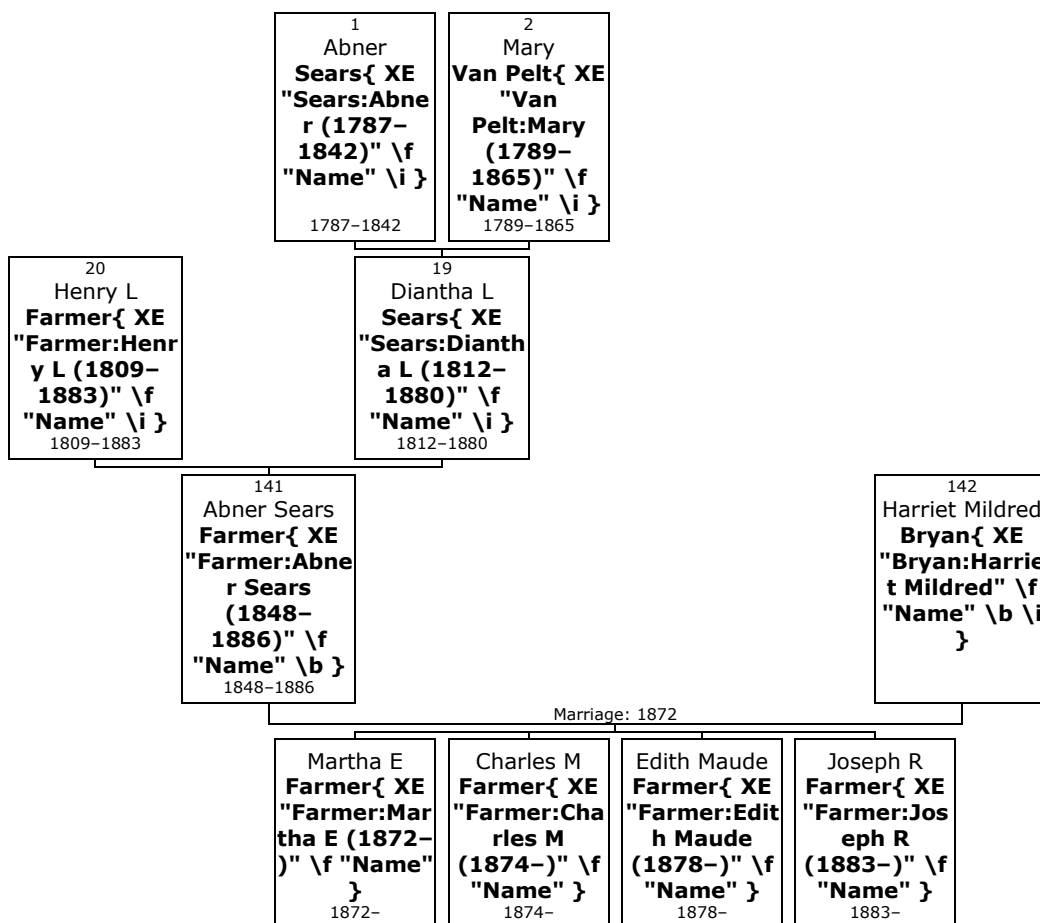
Children of Charlotte Missouri Farmer and George Mitchell Stevens:

- m I. **Oscar O⁷ Stevens**{ XE "Stevens:Oscar O (1870-)" \f "Name" \b } was born on 4th November 1870.

²³⁷ Ancestry.com, Texas, Death Certificates, 1903-1982 (Provo, UT, USA, Ancestry.com Operations, Inc., 2013), Texas Department of State Health Services; Austin Texas, USA. Record for Charlotte Missouri Farmer. <http://search.ancestry.com/cgi-bin/sse.dll?db=2272&h=773599610&indiv=try>. [Source citation includes one media item]

-
- m II. **Howard W Stevens**{ XE "Stevens:Howard W (1872-)" \f "Name" \b } was born on 9th January 1872.
- m III. **John L Stevens**{ XE "Stevens:John L (1873-1873)" \f "Name" \b } was born on 7th March 1873. He died on 9th October 1873.
- f IV. **Ida F Stevens**{ XE "Stevens:Ida F (1874-)" \f "Name" \b } was born on 31st December 1874.
- m V. **Miles M Stevens**{ XE "Stevens:Miles M (1876-)" \f "Name" \b } was born on 27th May 1876.
- m VI. **Edgar E Stevens**{ XE "Stevens:Edgar E (1877-)" \f "Name" \b } was born on 30th August 1877.
- m VII. **Otho Robert Stevens**{ XE "Stevens:Otho Robert (1879-1940)" \f "Name" \b } was born at Seago in Reno, Kansas,{ XE "USA, Kansas, Reno:(37.9606° N, 98.0895° W):Stevens, Otho Robert (1879-1940)" \f "Place" } on 23rd April 1879.^[237] He died at Age: 61/Precinct 3 in Cameron{ XE "USA, Texas, Cameron:(26.1495° N, 97.4492° W):Stevens, Otho Robert (1879-1940)" \f "Place" } on 30th May 1940, at the age of 61.^[237]
- More facts and events for Otho Robert Stevens:
- Residence: San Benito, Cameron{ XE "USA, Texas, Cameron, San Benito:(26.1326° N, 97.6311° W):Stevens, Otho Robert (1879-1940)" \f "Place" }^[237]
- f VIII. **Ida F Stevens**{ XE "Stevens:Ida F (1881-)" \f "Name" \b } was born on 10th March 1881.
- m IX. **Thaddeus Stevens**{ XE "Stevens:Thaddeus (1883-)" \f "Name" \b } was born on 20th February 1883.

Family of Abner Farmer and Harriet Bryan{ TC "Abner Farmer and Harriet Bryan" \I 3 \f C}



141. **Abner Sears⁶ Farmer**{ XE "Farmer:Abner Sears (1848-1886)" \f "Name" \b } (*Diantha L⁵ Sears, Abner⁴, Sergt Richard³, Silas²*) was born on Wednesday, 30th August 1848.^[238] He was the son of Henry L Farmer{ XE "Farmer:Henry L (1809-1883)" \f "Name" \i } (20) and Diantha L Sears{ XE "Sears:Diantha L (1812-1880)" \f "Name" \i } (19).

Abner Sears died on 7th April 1886, at the age of 37.

More facts and events for Abner Sears Farmer:

Residence: 1870 Montezuma{ XE "USA, Iowa, Poweshiek, Montezuma:(41.5858° N, 92.5274° W):Farmer, Abner Sears (1848-1886)" \f "Place" \b }^[238]
 Age: 22; CannotRead: Y; CannotWrite: Y; MaleCitizenOverTwentyone: Y/Union

142. Abner Sears married **Harriet Mildred Bryan**{ XE "Bryan:Harriet Mildred" \f "Name" \b \i } on Thursday, 7th March 1872. They had four children: Martha (1872-), Charles (1874-), Edith (1878-) and Joseph (1883-).

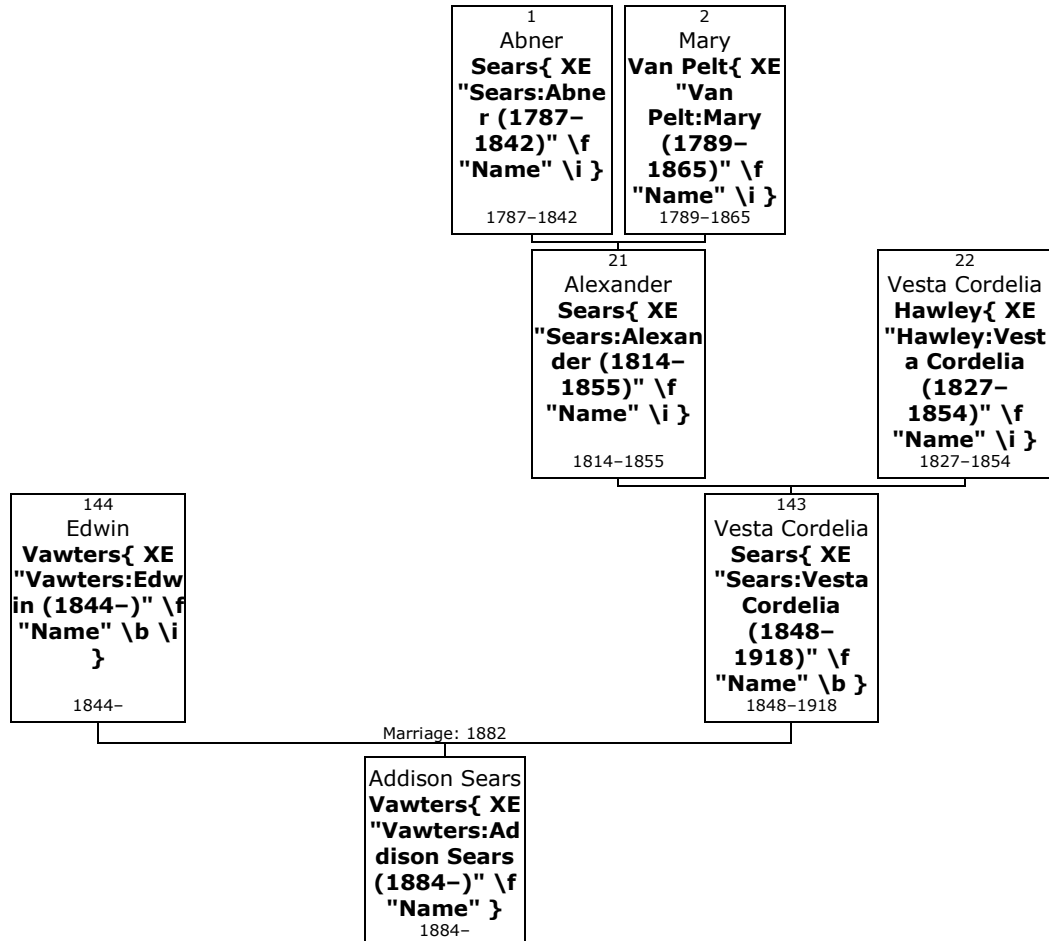
Children of Abner Sears Farmer and Harriet Mildred Bryan:

- f I. **Martha E⁷ Farmer**{ XE "Farmer:Martha E (1872-)" \f "Name" \b } was born on 29th December 1872.
- m II. **Charles M Farmer**{ XE "Farmer:Charles M (1874-)" \f "Name" \b } was born on 2nd December 1874.

²³⁸ Ancestry.com, 1870 United States Federal Census (Provo, UT, USA, Ancestry.com Operations, Inc., 2009), Ancestry.com, Year: 1870; Census Place: Union, Poweshiek, Iowa; Roll: M593_417; Page: 408B; Family History Library Film: 545916. Record for Abner S Farmer. <http://search.ancestry.com/cgi-bin/sse.dll?db=7163&h=21379032&indiv=try>. [Source citation includes one media item]

- f III. **Edith Maude Farmer**{ XE "Farmer:Edith Maude (1878-)" \f "Name" \b } was born on 31st January 1878.
- m IV. **Joseph R Farmer**{ XE "Farmer:Joseph R (1883-)" \f "Name" \b } was born on 27th February 1883.

Family of Vesta Sears and Edwin Vawters{ TC "Vesta Sears and Edwin Vawters" \I 3 \f C }



- 143. Vesta Cordelia⁶ Sears**{ XE "Sears:Vesta Cordelia (1848-1918)" \f "Name" \b } (*Dr Alexander⁵, Abner⁴, Sergt Richard³, Silas²*) was born on Monday, 21st August 1848, in Marshall, Harrison, Texas, USA{ XE "USA, Texas, Harrison, Marshall:(32.5449° N, 94.3674° W):Sears, Vesta Cordelia (1848-1918)" \f "Place" }.^[239] She was the daughter of Alexander Sears{ XE "Sears:Alexander (1814-1855)" \f "Name" \i } (21) and Vesta Cordelia Hawley{ XE "Hawley:Vesta Cordelia (1827-1854)" \f "Name" \i } (22).

Vesta Cordelia died in 1918 at the age of 69.

S P May (No 3302)

- 144.** Vesta Cordelia married **Edwin Vawters**{ XE "Vawters:Edwin (1844-)" \f "Name" \b \i } on Wednesday, 15th February 1882, in Harrison{ XE "USA, Texas, Harrison:(32.5478° N, 94.3706° W):Sears, Vesta Cordelia (1848-1918)" \f "Place" }.^[239] They had one son: Addison (1884-).

Edwin was born in perh, Marshall, Harrison,{ XE "USA, Texas, Harrison, Marshall, perh: :Vawters, Edwin (1844-)" \f "Place" } in 1844.

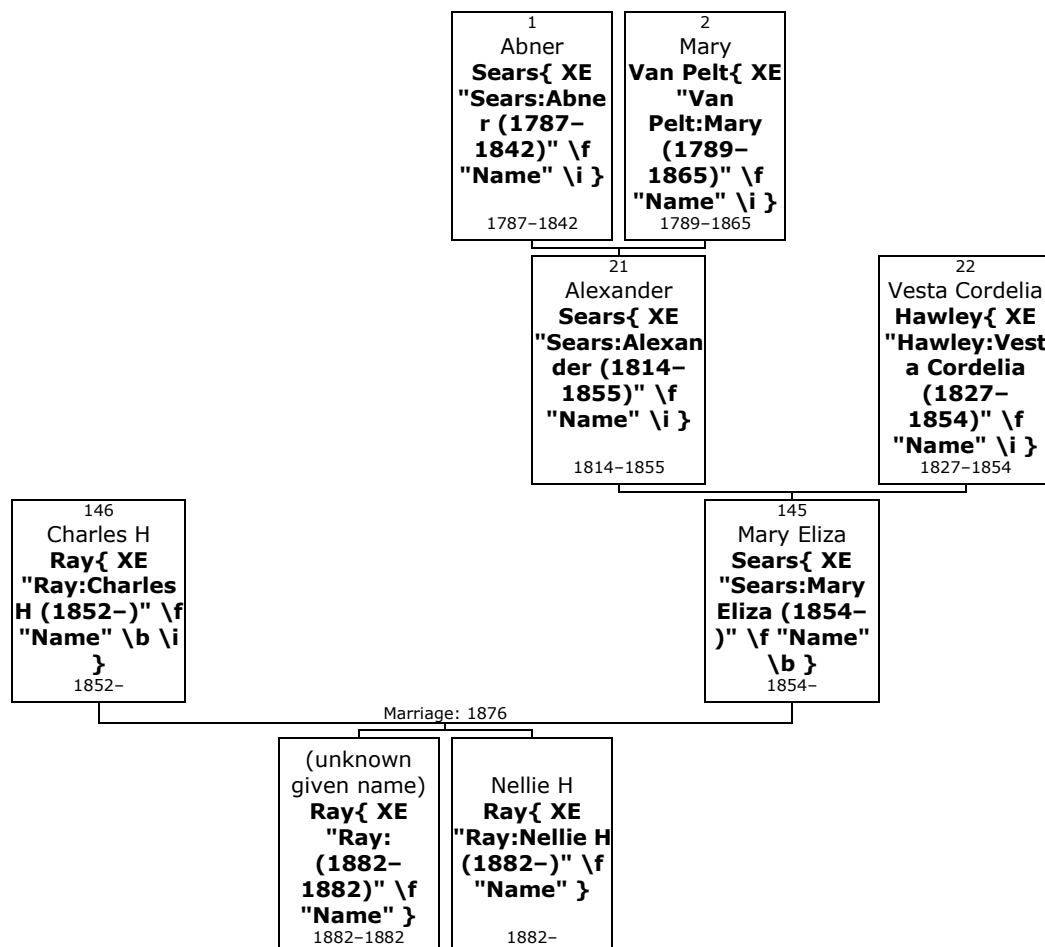
!S.P. May p.459 a native of Texas

²³⁹ Ancestry.com, Texas, Select County Marriage Index, 1837-1977 (Provo, UT, USA, Ancestry.com Operations, Inc., 2014), Ancestry.com, Record for V C Sears. <http://search.ancestry.com/cgi-bin/sse.dll?db=60183&h=817452&indiv=try>.

Son of Vesta Cordelia Sears and Edwin Vawters:

- m I. **Addison Sears⁷ Vawters**{ XE "Vawters:Addison Sears (1884-)" \f "Name" \b } was born in perh, Marshall, Harrison,{ XE "USA, Texas, Harrison, Marshall, perh: :Vawters, Addison Sears (1884-)" \f "Place" } on 15th May 1884.

Family of Mary Sears and Charles Ray{ TC "Mary Sears and Charles Ray" \I 3 \f C }



- 145. Mary Eliza⁶ Sears**{ XE "Sears:Mary Eliza (1854-)" \f "Name" \b } (*Dr Alexander⁵, Abner⁴, Sergt Richard³, Silas²*) was born on Saturday, 23rd September 1854, in Marshall, Harrison, Texas, USA{ XE "USA, Texas, Harrison, Marshall:(32.5449° N, 94.3674° W):Sears, Mary Eliza (1854-)" \f "Place" }.^[240] She was the daughter of Alexander Sears{ XE "Sears:Alexander (1814-1855)" \f "Name" \i } (21) and Vesta Cordelia Hawley{ XE "Hawley:Vesta Cordelia (1827-1854)" \f "Name" \i } (22).

!S P May No 3304

!1900 United States Federal Census <http://www.ancestry.com/search/db.aspx?dbid=7602> Name: Mary E Ray Home in 1900: Marshall Ward 1, Harrison, Texas Age: 45 Birth Date: Sep 1854 Birthplace: Texas Race: White Ethnicity: American Gender: Female Relationship to Head of House: Wife Father's Birthplace: Ohio Mother: number of living children: 0 Mother: How many children: 1 Spouse's name: Charles H Marriage Year: 1877 Marital Status: Married Years Married: 23 Residence : Marshall City, Harrison, Texas Household Members: Name Age Charles H Ray 47 Mary E Ray 45 Nellie H Ray 17 Hellen Campbell 6

- 146.** At the age of 21, Mary Eliza married **Charles H Ray**{ XE "Ray:Charles H (1852-)" \f "Name" \b \i } on Tuesday, 18th April 1876, in Harrison{ XE "USA, Texas, Harrison:(32.5478° N, 94.3706° W):Sears, Mary Eliza (1854-)" \f "Place" } when he was 23 years old.^[240] They had two children: (unknown given name) (1882-1882) and Nellie (1882-).

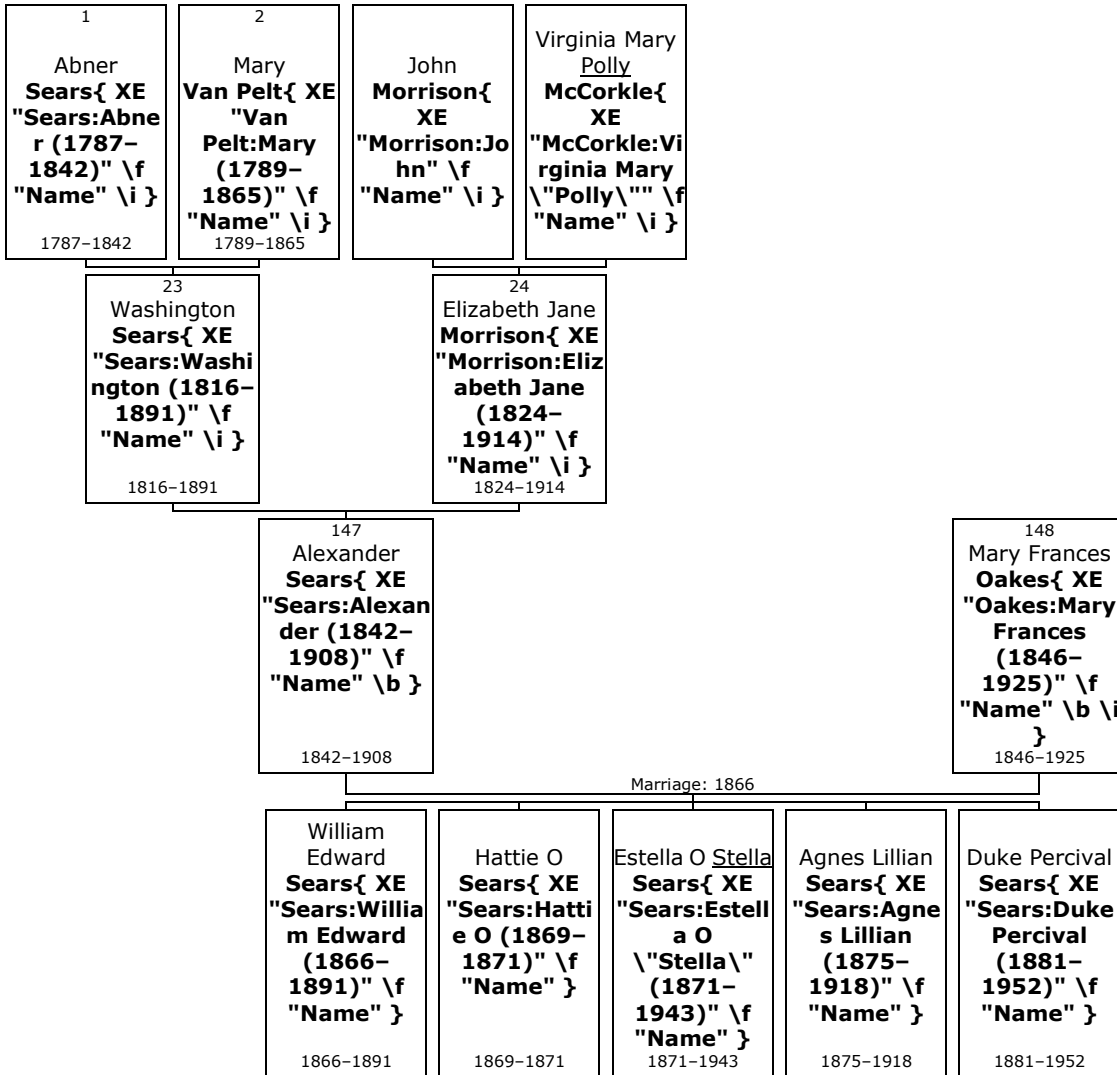
²⁴⁰ Ancestry.com, Texas, Select County Marriage Index, 1837-1977 (Provo, UT, USA, Ancestry.com Operations, Inc., 2014), Ancestry.com, Record for Marry E Sears. <http://search.ancestry.com/cgi-bin/sse.dll?db=60183&h=814983&indiv=try>.

Charles H was born in Lewisburg, North Carolina,{ XE "USA, North Carolina, Lewisburg: :Ray, Charles H (1852-)" \f "Place" } on Monday, 29th November 1852.

Children of Mary Eliza Sears and Charles H Ray:

- I. **(unknown given name)⁷ Ray**{ XE "Ray: (1882-1882)" \f "Name" \b } was born in perh, Harrison,{ XE "USA, Texas, Harrison, perh: :Ray, (1882-1882)" \f "Place" } on 6th February 1882. He or she died on 6th February 1882.
- m II. **Nellie H Ray**{ XE "Ray:Nellie H (1882-)" \f "Name" \b } was born in Texas{ XE "USA, Texas:(31.1667° N, 98.925° W):Ray, Nellie H (1882-)" \f "Place" } in September 1882.

Family of Alexander Sears and Mary Oakes{ TC "Alexander Sears and Mary Oakes" \I 3 \f C}



147. Alexander⁶ Sears{ XE "Sears:Alexander (1842-1908)" \f "Name" \b } (*Washington⁵, Abner⁴, Sergt Richard³, Silas²*) was born on Saturday, 20th August 1842, in Naples, Scott, Illinois, USA{ XE "USA, Illinois, Scott, Naples:(39.7573° N, 90.6074° W):Sears, Alexander (1842-1908)" \f "Place" }.^{[241, 242, 243, 244, 245-}

²⁴¹ Ancestry.com, U.S., Find A Grave Index, 1600s-Current (Provo, UT, USA, Ancestry.com Operations, Inc., 2012), Ancestry.com.

²⁴² Ancestry.com, Texas, Death Certificates, 1903-1982 (Provo, UT, USA, Ancestry.com Operations, Inc., 2013), Ancestry.com, Texas Department of State Health Services; Austin Texas, USA; Texas Death Certificates, 1903-1982. [Source citation includes one media item]

²⁴³ Ancestry.com, Pennsylvania, Death Certificates, 1906-1963 (Provo, UT, USA, Ancestry.com Operations, Inc., 2014), Ancestry.com, Pennsylvania Historic and Museum Commission; Pennsylvania, USA; Certificate Number Range: 068301-070850. [Source citation includes one media item]

^{246]} He was the son of Washington Sears{ XE "Sears:Washington (1816–1891)" \f "Name" \i } (23) and Elizabeth Jane Morrison{ XE "Morrison:Elizabeth Jane (1824–1914)" \f "Name" \i } (24).

Alexander served in the military in Illinois{ XE "USA, Illinois:(39.7333° N, 88.5° W):Sears, Alexander (1842–1908)" \f "Place" } on 13th August 1862.^[245] He died in Illinois{ XE "USA, Illinois:(39.7333° N, 88.5° W):Sears, Alexander (1842–1908)" \f "Place" } on 10th March 1908, at the age of 65.^[241, 245] Alexander was buried in Bluffs, Scott, Illinois{ XE "USA, Illinois, Scott, Bluffs:(39.752° N, 90.5351° W):Sears, Alexander (1842–1908)" \f "Place" }.^[241]

!S P May No 3305 pp 549 Mr. Sears served during the Rebellion in Co. I, 129th Regt., Ill. Vols.; part of the time served detail in quarter-master's department; he now lives in Eureka, KA, and is connected with the railroad. In 1850 census b. OH

More facts and events for Alexander Sears:

Residence: 1880 Naples{ XE "USA, Illinois, Scott, Naples:(39.7573° N, 90.6074° W):Sears, Alexander (1842–1908)" \f "Place" }.^[244]
Marital Status: Married; Relation to Head: Self

Residence: Illinois{ XE "USA, Illinois:(39.7333° N, 88.5° W):Sears, Alexander (1842–1908)" \f "Place" }.^[245]

- 148.** At the age of 23, Alexander married **Mary Frances Oakes**{ XE "Oakes:Mary Frances (1846–1925)" \f "Name" \b \i } on Wednesday, 28th February 1866, in Naples, Scott, Illinois,{ XE "USA, Illinois, Scott, Naples:(39.7573° N, 90.6074° W):Sears, Alexander (1842–1908)" \f "Place" } when she was 19 years old.^[241–244, 246–247] They had five children: William (1866–1891), Hattie (1869–1871), Stella (1871–1943), Agnes (1875–1918) and Duke (1881–1952).

Mary Frances was born in Metropolis, Massac,{ XE "USA, Illinois, Massac, Metropolis:(37.1512° N, 88.732° W):Oakes, Mary Frances (1846–1925)" \f "Place" } on Sunday, 8th November 1846.^[241–244, 247] She reached 78 years of age and died on 4th November 1925.^[241] Mary Frances was buried in Bluffs, Scott{ XE "USA, Illinois, Scott, Bluffs:(39.752° N, 90.5351° W):Oakes, Mary Frances (1846–1925)" \f "Place" }.^[241]

More facts and events for Mary Frances Oakes:

Residence: 1880 Naples{ XE "USA, Illinois, Scott, Naples:(39.7573° N, 90.6074° W):Oakes, Mary Frances (1846–1925)" \f "Place" }.^[244]
Marital Status: Married; Relation to Head: Wife

Residence: 1910 Ward 2, Peoria, Peoria{ XE "USA, Illinois, Peoria, Peoria, Ward 2: :Oakes, Mary Frances (1846–1925)" \f "Place" }.^[247]
Marital Status: Widowed; Relation to Head of House: Mother-in-law

Children of Alexander Sears and Mary Frances Oakes:

- m I. **William Edward⁷ Sears**{ XE "Sears:William Edward (1866–1891)" \f "Name" \b } was born in Naples{ XE "USA, Illinois, Scott, Naples:(39.7573° N, 90.6074° W):Sears, William Edward (1866–1891)" \f "Place" } on 14th December 1866.^[241, 244] He died on 13th May 1891, at the age of 24.^[241] William Edward was buried in Bluffs{ XE "USA, Illinois, Scott, Bluffs:(39.752° N, 90.5351° W):Sears, William Edward (1866–1891)" \f "Place" }.^[241]

More facts and events for William Edward Sears:

Residence: 1880 Naples{ XE "USA, Illinois, Scott, Naples:(39.7573° N,

²⁴⁴ Ancestry.com and The Church of Jesus Christ of Latter-day Saints, 1880 United States Federal Census (Provo, UT, USA, Ancestry.com Operations Inc, 2010), Ancestry.com, Year: 1880; Census Place: Naples, Scott, Illinois; Roll: 250; Family History Film: 1254250; Page: 602A; Enumeration District: 241.
[Source citation includes one media item]

²⁴⁵ Historical Data Systems, comp, U.S., Civil War Soldier Records and Profiles, 1861-1865 (Provo, UT, USA, Ancestry.com Operations Inc, 2009), Ancestry.com.

²⁴⁶ Ancestry.com, Illinois, Marriage Index, 1860-1920 (Provo, UT, USA, Ancestry.com Operations, Inc., 2015), Ancestry.com.

²⁴⁷ Ancestry.com, 1910 United States Federal Census (Provo, UT, USA, Ancestry.com Operations Inc, 2006), Ancestry.com, Year: 1910; Census Place: Peoria Ward 2, Peoria, Illinois; Roll: T624_316; Page: 3B; Enumeration District: 0071; FHL microfilm: 1374329.
[Source citation includes one media item]

90.6074° W):Sears, William Edward (1866–1891)" \f "Place" }^[244]

Marital Status: Single; Relation to Head: Son

- f II. **Hattie O Sears**{ XE "Sears:Hattie O (1869–1871)" \f "Name" \b } was born in Naples{ XE "USA, Illinois, Scott, Naples:(39.7573° N, 90.6074° W):Sears, Hattie O (1869–1871)" \f "Place" } on 16th August 1869.^[241] She died on 22nd January 1871, at the age of 1.^[241] Hattie O was buried in Bluffs{ XE "USA, Illinois, Scott, Bluffs:(39.752° N, 90.5351° W):Sears, Hattie O (1869–1871)" \f "Place" }.^[241]

- f III. **Estella O Stella Sears**{ XE "Sears:Estella O \"Stella\" (1871–1943)" \f "Name" \b } was born in Naples{ XE "USA, Illinois, Scott, Naples:(39.7573° N, 90.6074° W):Sears, Estella O \"Stella\" (1871–1943)" \f "Place" } on 19th December 1871.^[243, 244, 246, 248] She died in Wilksburg{ XE "USA, Pennsylvania, Allegheny, Wilksburg:(40.4417° N, 79.882° W):Sears, Estella O \"Stella\" (1871–1943)" \f "Place" } on 26th August 1943, at the age of 71.^[243] Stella was buried.



Stella

More facts and events for Estella O Stella Sears:

Residence: 1880 Naples, Scott, Illinois{ XE "USA, Illinois, Scott, Naples:(39.7573° N, 90.6074° W):Sears, Estella O \"Stella\" (1871–1943)" \f "Place" }^[244]
Marital Status: Single; Relation to Head: Daughter

Residence: 1910 Ward 2, Wilksburg, Allegheny, Pennsylvania{ XE "USA, Pennsylvania, Allegheny, Wilksburg, Ward 2: :Sears, Estella O \"Stella\" (1871–1943)" \f "Place" }^[248]
Marital Status: Married; Relation to Head of House: Wife

Stella married **Abasbar W Downing**{ XE "Downing:Abasbar W (ca.1864–)" \f "Name" \b \i } on Thursday, 24th December 1891, in Morgan, Illinois{ XE "USA, Illinois, Morgan:(39.7146° N, 90.1981° W):Sears, Estella O \"Stella\" (1871–1943)" \f "Place" }.^[246, 248] They had one son: Harold (ca.1893–).

Abasbar W was born in Ohio{ XE "USA, Ohio:(40.2083° N, 81.325° W):Downing, Abasbar W (ca.1864–)" \f "Place" } about 1864.^[248]

- f IV. **Agnes Lillian Sears**{ XE "Sears:Agnes Lillian (1875–1918)" \f "Name" \b } was born in Naples{ XE "USA, Illinois, Scott, Naples:(39.7573° N, 90.6074° W):Sears, Agnes Lillian (1875–1918)" \f "Place" } on 5th December 1875.^[241, 244, 247] She died in Peoria{ XE "USA, Illinois, Peoria, Peoria:(40.6937° N, 89.589° W):Sears, Agnes Lillian (1875–1918)" \f "Place" } on 5th May 1918, at the age of 42.^[241] Agnes Lillian was buried in Pekin, Tazewell{ XE "USA, Illinois, Tazewell, Pekin:(40.5675° N, 89.6407° W):Sears, Agnes Lillian (1875–1918)" \f "Place" }.^[241]



Agnes

More facts and events for Agnes Lillian Sears:

Residence: 1880 Naples, Scott{ XE "USA, Illinois, Scott, Naples:(39.7573° N, 90.6074° W):Sears, Agnes Lillian (1875–1918)" \f "Place" }^[244]

Marital Status: Single; Relation to Head: Daughter

Residence: 1910 Ward 2, Peoria, Peoria{ XE "USA, Illinois, Peoria, Peoria, Ward 2: :Sears, Agnes Lillian (1875–1918)" \f "Place" }^[247]
Marital Status: Married; Relation to Head of House: Wife

²⁴⁸ Ancestry.com, 1910 United States Federal Census (Provo, UT, USA, Ancestry.com Operations Inc, 2006), Ancestry.com, Year: 1910; Census Place: Wilksburg Ward 2, Allegheny, Pennsylvania; Roll: T624_1298; Page: 17B; Enumeration District: 0273; FHL microfilm: 1375311.

Agnes Lillian Sears married **Elmer Moses Eckard**{ XE "Eckard:Elmer Moses (1872–1918)" \f "Name" \b \i }.^[241, 247] They had one son: Fred (ca.1897–).

Elmer Moses was born in Topeka, Mason,{ XE "USA, Illinois, Mason, Topeka:(40.3303° N, 89.9312° W):Eckard, Elmer Moses (1872–1918)" \f "Place" } on Saturday, 2nd March 1872.^[241, 247] He reached 46 years of age and died in Peoria{ XE "USA, Illinois, Peoria, Peoria:(40.6937° N, 89.589° W):Eckard, Elmer Moses (1872–1918)" \f "Place" } on 21st April 1918.^[241]

Elmer Moses was buried in Pekin, Tazewell{ XE "USA, Illinois, Tazewell, Pekin:(40.5675° N, 89.6407° W):Eckard, Elmer Moses (1872–1918)" \f "Place" }.^[241]

- m V. **Duke Percival Sears**{ XE "Sears:Duke Percival (1881–1952)" \f "Name" \b } was born in Eureka, Barton, Kansas,{ XE "USA, Kansas, Barton, Eureka:(37.8179° N, 96.2934° W):Sears, Duke Percival (1881–1952)" \f "Place" } on 14th March 1881.^[242, 249] He died in Dallas, Dallas,{ XE "USA, Texas, Dallas, Dallas:(32.7833° N, 96.8° W):Sears, Duke Percival (1881–1952)" \f "Place" } on 2nd November 1952, at the age of 71.^[242]

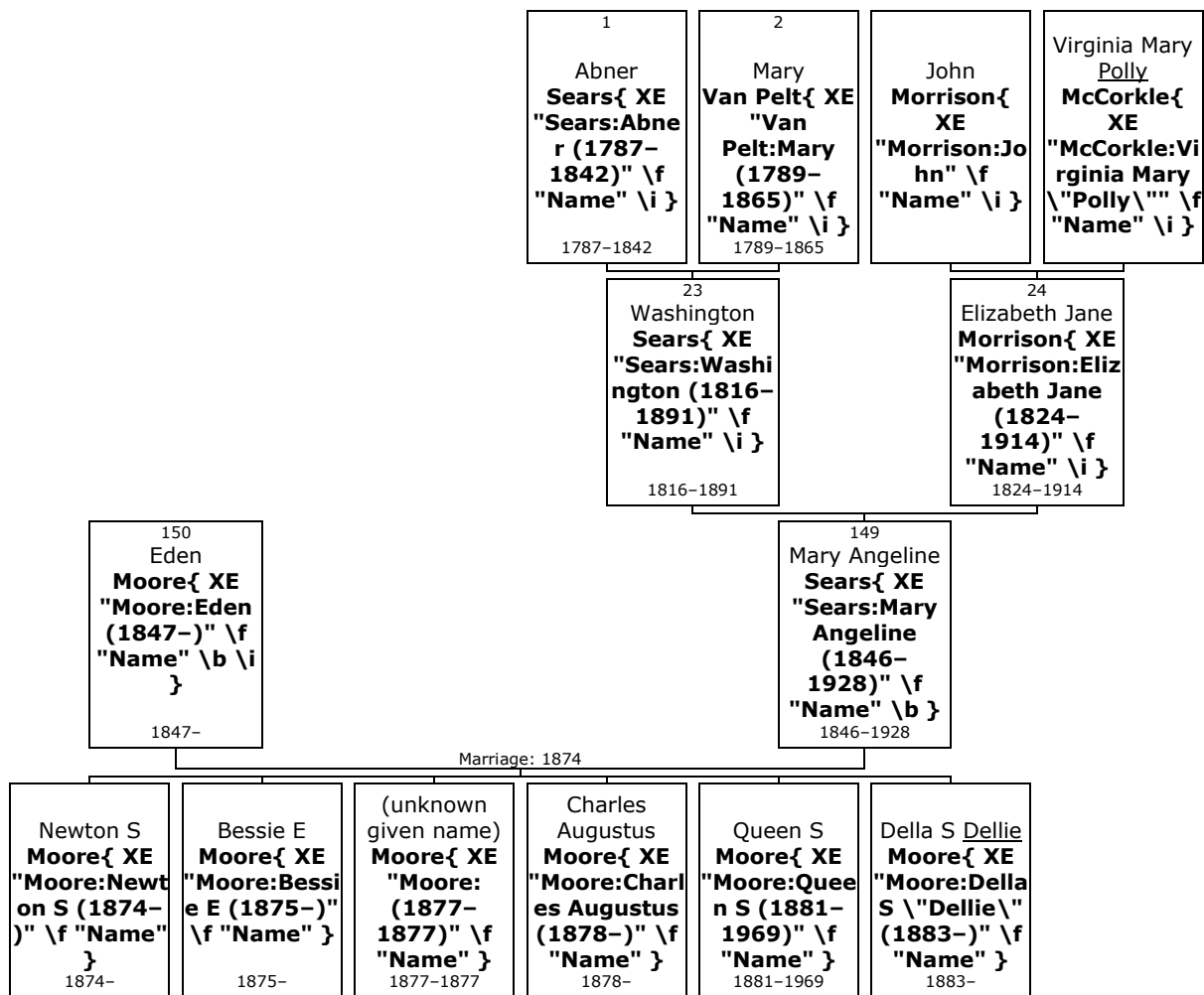
More facts and events for Duke Percival Sears:

Residence: Dallas{ XE "USA, Texas, Dallas, Dallas:(32.7833° N, 96.8° W):Sears, Duke Percival (1881–1952)" \f "Place" }.^[242]

Residence: El Paso, El Paso{ XE "USA, Texas, El Paso, El Paso:(31.7587° N, 106.487° W):Sears, Duke Percival (1881–1952)" \f "Place" }.^[249]

²⁴⁹ Ancestry.com, U.S., World War I Draft Registration Cards, 1917-1918 (Provo, UT, USA, Ancestry.com Operations Inc, 2005), Ancestry.com, Registration State: Texas; Registration County: El Paso; Roll: 1953281; Draft Board: 2.

Family of Mary Sears and Eden Moore{ TC "Mary Sears and Eden Moore" \I 3 \f C}



- 149. Mary Angeline⁶ Sears**{ XE "Sears:Mary Angeline (1846-1928)" \f "Name" \b } (*Washington⁵, Abner⁴, Sergt Richard³, Silas²*) was born on Saturday, 29th August 1846, in Naples, Scott, Illinois, USA{ XE "USA, Illinois, Scott, Naples:(39.7573° N, 90.6074° W):Sears, Mary Angeline (1846-1928)" \f "Place" }.^[250, 251, 252, 253-254] She was the daughter of Washington Sears{ XE "Sears:Washington (1816-1891)" \f "Name" \i } (23) and Elizabeth Jane Morrison{ XE "Morrison:Elizabeth Jane (1824-1914)" \f "Name" \i } (24).

Mary Angeline died in Road Dist #7{ XE "USA, Illinois, Scott, Road Dist #7: :Sears, Mary Angeline (1846-1928)" \f "Place" } on 26th November 1928, at the age of 82.^[253] She was buried in Scott{ XE "USA, Illinois,

²⁵⁰ Ancestry.com, 1920 United States Federal Census (Provo, UT, USA, Ancestry.com Operations Inc, 2010), Ancestry.com, Year: 1920; Census Place: Oxville, Scott, Illinois; Roll: T625_408; Page: 4A; Enumeration District: 184; Image: 458. [Source citation includes one media item]

²⁵¹ Ancestry.com, 1910 United States Federal Census (Provo, UT, USA, Ancestry.com Operations Inc, 2006), Ancestry.com, Year: 1910; Census Place: Oxville, Scott, Illinois; Roll: T624_317; Page: 4B; Enumeration District: 0146; FHL microfilm: 1374330. [Source citation includes one media item]

²⁵² Ancestry.com and The Church of Jesus Christ of Latter-day Saints, 1880 United States Federal Census (Provo, UT, USA, Ancestry.com Operations Inc, 2010), Ancestry.com, Year: 1880; Census Place: Scott, Illinois; Roll: 250; Family History Film: 1254250; Page: 585A; Enumeration District: 240. [Source citation includes one media item]

²⁵³ Ancestry.com, Illinois, Deaths and Stillbirths Index, 1916-1947 (Provo, UT, USA, Ancestry.com Operations, Inc., 2011), Ancestry.com.

²⁵⁴ Ancestry.com, 1900 United States Federal Census (Provo, UT, USA, Ancestry.com Operations Inc, 2004), Ancestry.com, Year: 1900; Census Place: Oxville, Scott, Illinois; Roll: 344; Page: 9B; Enumeration District: 0137; FHL microfilm: 1240344. [Source citation includes one media item]

Scott:(39.6479° N, 90.4783° W):Sears, Mary Angeline (1846–1928)" \f "Place" } on 28th November 1928.^[253]

!S P May No 3307

! in 1850 census b. OH

More facts and events for Mary Angeline Sears:

Residence: 1880 Scott{ XE "USA, Illinois, Scott:(39.6479° N, 90.4783° W):Sears, Mary Angeline (1846–1928)" \f "Place" }^[252]
Marital Status: Married; Relation to Head of House: Wife

Residence: 1900 Oxville, Scott{ XE "USA, Illinois, Scott, Oxville:(39.7047° N, 90.5611° W):Sears, Mary Angeline (1846–1928)" \f "Place" }^[254]
Marital Status: Married; Relation to Head of House: Wife

Residence: 1910 Oxville{ XE "USA, Illinois, Scott, Oxville:(39.7047° N, 90.5611° W):Sears, Mary Angeline (1846–1928)" \f "Place" }^[251]
Marital Status: Divorced; Relation to Head of House: Head

Residence: 1920 Oxville{ XE "USA, Illinois, Scott, Oxville:(39.7047° N, 90.5611° W):Sears, Mary Angeline (1846–1928)" \f "Place" }^[250]
Marital Status: Divorced; Relation to Head of House: Sister-in-law

Residence: near, Bluffs{ XE "USA, Illinois, Scott, Bluffs, near: :Sears, Mary Angeline (1846–1928)" \f "Place" }^[253]
Marital Status: D

- 150.** Mary Angeline married **Eden Moore**{ XE "Moore:Eden (1847–)" \f "Name" \b \i } in 1874.^[252, 254] They had six children: Newton (1874–), Bessie (1875–), (unknown given name) (1877–1877), Charles (1878–), Queen (1881–1969) and Dellie (1883–).

Eden was born in Pike, Ohio,{ XE "USA, Ohio, Pike:(39.0837° N, 83.072° W):Moore, Eden (1847–)" \f "Place" } on Monday, 12th July 1847.^[252, 254]

<http://www.heywoods.info/m/EMoore01.html>

More facts and events for Eden Moore:

Residence: 1880 Scott{ XE "USA, Illinois, Scott:(39.6479° N, 90.4783° W):Moore, Eden (1847–)" \f "Place" }^[252]
Marital Status: Married; Relation to Head of House: Self

Residence: 1900 Oxville, Scott{ XE "USA, Illinois, Scott, Oxville:(39.7047° N, 90.5611° W):Moore, Eden (1847–)" \f "Place" }^[254]
Marital Status: Married; Relation to Head of House: Head

Children of Mary Angeline Sears and Eden Moore:

- m I. **Newton S⁷ Moore**{ XE "Moore:Newton S (1874–)" \f "Name" \b } was born in Illinois{ XE "USA, Illinois:(39.7333° N, 88.5° W):Moore, Newton S (1874–)" \f "Place" } on 21st February 1874.^[252, 254]

More facts and events for Newton S Moore:

Residence: 1880 Scott{ XE "USA, Illinois, Scott:(39.6479° N, 90.4783° W):Moore, Newton S (1874–)" \f "Place" }^[252]
Marital Status: Single; Relation to Head of House: Son

Residence: 1900 Oxville, Scott{ XE "USA, Illinois, Scott, Oxville:(39.7047° N, 90.5611° W):Moore, Newton S (1874–)" \f "Place" }^[254]
Marital Status: Single; Relation to Head of House: Son

- f II. **Bessie E Moore**{ XE "Moore:Bessie E (1875–)" \f "Name" \b } was born in Illinois{ XE "USA, Illinois:(39.7333° N, 88.5° W):Moore, Bessie E (1875–)" \f "Place" } on 1st August 1875.^[252, 254]

More facts and events for Bessie E Moore:

Residence: 1880 Scott{ XE "USA, Illinois, Scott:(39.6479° N, 90.4783° W):Moore, Bessie E (1875-)" \f "Place" }^[252]
 Marital Status: Single; Relation to Head of House: Daughter

Residence: 1900 Oxville, Scott{ XE "USA, Illinois, Scott, Oxville:(39.7047° N, 90.5611° W):Moore, Bessie E (1875-)" \f "Place" }^[254]
 Marital Status: Single; Relation to Head of House: Daughter

m III. **(unknown given name) Moore**{ XE "Moore: (1877-1877)" \f "Name" \b } was born on 4th July 1877. He died on 4th July 1877.

m IV. **Charles Augustus Moore**{ XE "Moore:Charles Augustus (1878-)" \f "Name" \b } was born in Illinois{ XE "USA, Illinois:(39.7333° N, 88.5° W):Moore, Charles Augustus (1878-)" \f "Place" } on 26th August 1878.^[251, 252, 254]

More facts and events for Charles Augustus Moore:

Residence: 1880 Scott{ XE "USA, Illinois, Scott:(39.6479° N, 90.4783° W):Moore, Charles Augustus (1878-)" \f "Place" }^[252]
 Marital Status: Single; Relation to Head of House: Son

Residence: 1900 Oxville, Scott{ XE "USA, Illinois, Scott, Oxville:(39.7047° N, 90.5611° W):Moore, Charles Augustus (1878-)" \f "Place" }^[254]
 Marital Status: Single; Relation to Head of House: Son

Residence: 1910 Oxville{ XE "USA, Illinois, Scott, Oxville:(39.7047° N, 90.5611° W):Moore, Charles Augustus (1878-)" \f "Place" }^[251]
 Marital Status: Single; Relation to Head of House: Son

f V. **Queen S Moore**{ XE "Moore:Queen S (1881-1969)" \f "Name" \b } was born in Illinois{ XE "USA, Illinois:(39.7333° N, 88.5° W):Moore, Queen S (1881-1969)" \f "Place" } on 19th March 1881.^[255, 256-257] She died in Decatur{ XE "USA, Illinois, Macon, Decatur:(39.8403° N, 88.9548° W):Moore, Queen S (1881-1969)" \f "Place" } on 16th September 1969, at the age of 88.

More facts and events for Queen S Moore:

Residence: 1910 Ward 5, Springfield, Sangamon{ XE "USA, Illinois, Sangamon, Springfield, Ward 5: Moore, Queen S (1881-1969)" \f "Place" }^[256]
 Marital Status: Married; Relation to Head of House: Wife

Residence: 1920 Woodside{ XE "USA, Illinois, Sangamon, Woodside:(39.72° N, 89.6789° W):Moore, Queen S (1881-1969)" \f "Place" }^[255]
 Marital Status: Married; Relation to Head of House: Wife

Residence: 1935 Decatur, Macon{ XE "USA, Illinois, Macon, Decatur:(39.8403° N, 88.9548° W):Moore,

²⁵⁵ Ancestry.com, 1920 United States Federal Census (Provo, UT, USA, Ancestry.com Operations Inc, 2010), Ancestry.com, Year: 1920; Census Place: Woodside, Sangamon, Illinois; Roll: T625_406; Page: 27B; Enumeration District: 202; Image: 559.

²⁵⁶ Ancestry.com, 1910 United States Federal Census (Provo, UT, USA, Ancestry.com Operations Inc, 2006), Ancestry.com, Year: 1910; Census Place: Springfield Ward 5, Sangamon, Illinois; Roll: T624_325; Page: 3B; Enumeration District: 0146; FHL microfilm: 1374338.

²⁵⁷ Ancestry.com, 1940 United States Federal Census (Provo, UT, USA, Ancestry.com Operations, Inc., 2012), Ancestry.com, Year: 1940; Census Place: Decatur, Macon, Illinois; Roll: T627_843; Page: 3B; Enumeration District: 58-12.

Residence: 1st April 1940 Queen S (1881–1969)" \f "Place" }^[257]
 Decatur{ XE "USA, Illinois, Macon,
 Decatur:(39.8403° N, 88.9548° W):Moore,
 Queen S (1881–1969)" \f "Place" }^[257]
 Marital Status: Married; Relation to Head of
 House: Wife

At the age of 15, Queen S married **Edgar Priest**{ XE "Priest:Edgar (1874–1945)" \f "Name" \b \i } on Tuesday, 4th August 1896, in Hannibal, Marion, Missouri,{ XE "USA, Missouri, Marion, Hannibal:(39.7084° N, 91.3585° W):Moore, Queen S (1881–1969)" \f "Place" } when he was 21 years old.^[255, 258–259] They had five children: Infant (1897–1897), Raymond (ca.1900–1983), Le (ca.1903–1974), Dorothy (1915–2002) and Jane (1919–1997).

Edgar was born in Illinois{ XE "USA, Illinois:(39.7333° N, 88.5° W):Priest, Edgar (1874–1945)" \f "Place" } on Wednesday, 9th December 1874.^[255–259] He was the son of John Priest{ XE "Priest:John (ca.1847–)" \f "Name" \i } and Mary --Priest{ XE "--Priest:Mary (ca.1851–)" \f "Name" \i }.

Edgar reached 70 years of age and died in Taylorville, Christian,{ XE "USA, Illinois, Christian, Taylorville:(39.5489° N, 89.2946° W):Priest, Edgar (1874–1945)" \f "Place" } on 14th April 1945.

f VI. **Della S Dellie Moore**{ XE "Moore:Della S \"Dellie\" (1883–)" \f "Name" \b } was born in Illinois{ XE "USA, Illinois:(39.7333° N, 88.5° W):Moore, Della S \"Dellie\" (1883–)" \f "Place" } on 14th September 1883.^[251, 254]

More facts and events for Della S Dellie Moore:

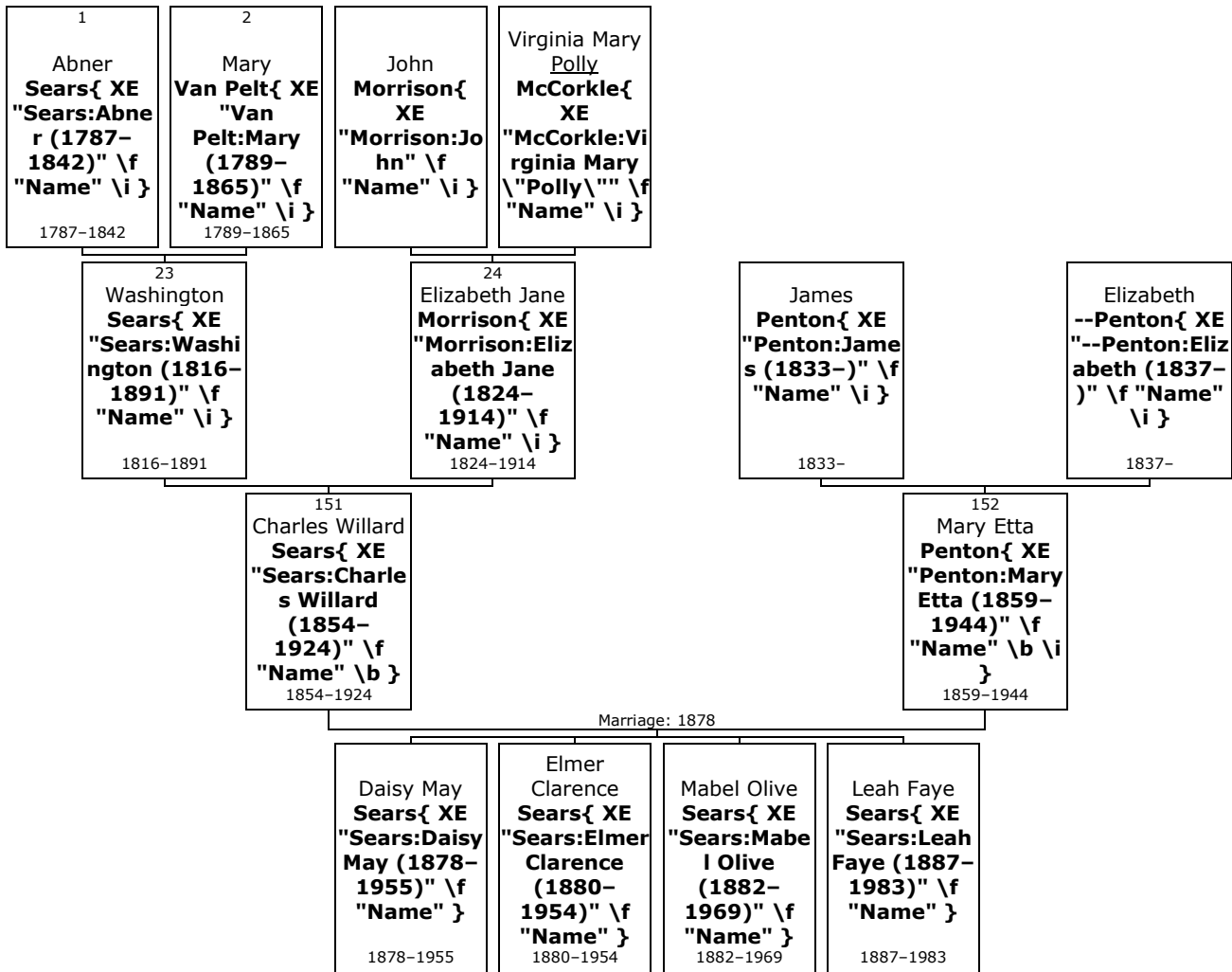
Residence: 1900 Oxville{ XE "USA, Illinois, Scott, Oxville:(39.7047° N, 90.5611° W):Moore, Della S \"Dellie\" (1883–)" \f "Place" }^[254]
 Marital Status: Single; Relation to Head of House: Daughter

Residence: 1910 Oxville{ XE "USA, Illinois, Scott, Oxville:(39.7047° N, 90.5611° W):Moore, Della S \"Dellie\" (1883–)" \f "Place" }^[251]
 Marital Status: Single; Relation to Head of House: Daughter

²⁵⁸ Ancestry.com, U.S., World War I Draft Registration Cards, 1917-1918 (Provo, UT, USA, Ancestry.com Operations Inc, 2005), Ancestry.com, Registration State: Illinois; Registration County: Sangamon; Roll: 1614575; Draft Board: 1. [Source citation includes one media item]

²⁵⁹ Ancestry.com and The Church of Jesus Christ of Latter-day Saints, 1880 United States Federal Census (Provo, UT, USA, Ancestry.com Operations Inc, 2010), Ancestry.com, Year: 1880; Census Place: Scott, Illinois; Roll: 250; Family History Film: 1254250; Page: 559B; Enumeration District: 238. [Source citation includes one media item]

Family of Charles Sears and Mary Penton{ TC "Charles Sears and Mary Penton" \I 3 \f C}



- 151. Charles Willard⁶ Sears{ XE "Sears:Charles Willard (1854-1924)" \f "Name" \b }** (*Washington⁵, Abner⁴, Sergt Richard³, Silas²*) was born on Friday, 1st December 1854, in Naples, Scott, Illinois, USA{ XE "USA, Illinois, Scott, Naples:(39.7573° N, 90.6074° W):Sears, Charles Willard (1854-1924)" \f "Place" }.^[260, 261, 262, 263-264] He was the son of Washington Sears{ XE "Sears:Washington (1816-1891)" \f "Name" \i } (23) and Elizabeth Jane Morrison{ XE "Morrison:Elizabeth Jane (1824-1914)" \f "Name" \i } (24).

Charles Willard died in Jerseyville{ XE "USA, Illinois, Jersey, Jerseyville:(39.12° N, 90.3285° W):Sears, Charles Willard (1854-1924)" \f "Place" } on 25th April 1924, at the age of 69.^[260] He was buried in Oakgrove Cemetery, Jerseyville,{ XE "USA, Illinois, Jersey, Jerseyville, Oakgrove Cemetery: :Sears, Charles Willard (1854-1924)" \f "Place" } on 27th April 1924.^[260]

²⁶⁰ Ancestry.com, Illinois, Deaths and Stillbirths Index, 1916-1947 (Provo, UT, USA, Ancestry.com Operations, Inc., 2011), Ancestry.com.

²⁶¹ Ancestry.com, 1900 United States Federal Census (Provo, UT, USA, Ancestry.com Operations Inc, 2004), Ancestry.com, Year: 1900; Census Place: Mississippi, Jersey, Illinois; Roll: 309; Page: 3A; Enumeration District: 0039; FHL microfilm: 1240309.
[Source citation includes one media item]

²⁶² Ancestry.com, 1920 United States Federal Census (Provo, UT, USA, Ancestry.com Operations Inc, 2010), Ancestry.com, Year: 1920; Census Place: Jersey, Jersey, Illinois; Roll: T625_368; Page: 7A; Enumeration District: 66; Image: 1016.
[Source citation includes one media item]

²⁶³ Ancestry.com, 1860 United States Federal Census (Provo, UT, USA, Ancestry.com Operations, Inc., 2009), Ancestry.com, Year: 1860; Census Place: Township 15 Range 13, Scott, Illinois; Roll: M653_227; Page: 890; Family History Library Film: 803227.
[Source citation includes one media item]

²⁶⁴ Ancestry.com, Illinois, County Marriages, 1800-1940 (Lehi, UT, USA, Ancestry.com Operations, Inc., 2016), Ancestry.com.

!S P May No 3310 DEATH: Letter from Ellen O'Dell Burial: Email from Leah Sandmeyer
[rsandme@home.com] 1 Jan 2002

More facts and events for Charles Willard Sears:

Residence: 1860 Township 15 Range 13, Scott{ XE "USA, Illinois, Scott, Township 15 Range 13: :Sears, Charles Willard (1854-1924)" \f "Place" }^[263]
 Residence: 1900 Mississippi, Jersey{ XE "USA, Illinois, Jersey, Mississippi:(39.0411° N, 90.3106° W):Sears, Charles Willard (1854-1924)" \f "Place" }^[261]
 Marital Status: Married; Relation to Head of House: Head
 Residence: 1920 Jersey{ XE "USA, Illinois, Jersey, Jersey:(41.0192° N, 89.9276° W):Sears, Charles Willard (1854-1924)" \f "Place" }^[262]
 Marital Status: Married; Relation to Head of House: Head

152. At the age of 23, Charles Willard married **Mary Etta Penton**{ XE "Penton:Mary Etta (1859-1944)" \f "Name" \b \i } on Thursday, 2nd May 1878, in Winchester, Scott,{ XE "USA, Illinois, Scott, Winchester:(39.6298° N, 90.4562° W):Sears, Charles Willard (1854-1924)" \f "Place" } when she was 18 years old.^[261, 262, 264, 265-266] They had four children: Daisy (1878-1955), Elmer (1880-1954), Mabel (1882-1969) and Leah (1887-1983).

Mary Etta was born in Winchester{ XE "USA, Illinois, Scott, Winchester:(39.6298° N, 90.4562° W):Penton, Mary Etta (1859-1944)" \f "Place" } on Saturday, 3rd December 1859.^[261, 262, 264-266] She was the daughter of James Penton{ XE "Penton:James (1833-)" \f "Name" \i } and Elizabeth --Penton{ XE "--Penton:Elizabeth (1837-)" \f "Name" \i }.

Mary Etta reached 85 years of age and died in Jerseyville{ XE "USA, Illinois, Jersey, Jerseyville:(39.12° N, 90.3285° W):Penton, Mary Etta (1859-1944)" \f "Place" } on 24th December 1944. She was buried. Oakgrove Cemetery.

Letter from Ellen O'Dell - middle name - shows b. 31 Dec 1859 Bluffs, IL

More facts and events for Mary Etta Penton:

Residence: 1900 Mississippi{ XE "USA, Illinois, Jersey, Mississippi:(39.0411° N, 90.3106° W):Penton, Mary Etta (1859-1944)" \f "Place" }^[261]
 Marital Status: Married; Relation to Head of House: Wife
 Residence: 1920 Jersey{ XE "USA, Illinois, Jersey, Jersey:(41.0192° N, 89.9276° W):Penton, Mary Etta (1859-1944)" \f "Place" }^[262]
 Marital Status: Married; Relation to Head of House: Wife
 Residence: 1930 Jerseyville{ XE "USA, Illinois, Jersey, Jerseyville:(39.12° N, 90.3285° W):Penton, Mary Etta (1859-1944)" \f "Place" }^[266]
 Marital Status: Widowed; Relation to Head of House: Head
 Residence: 1935 Jerseyville{ XE "USA, Illinois, Jersey, Jerseyville:(39.12° N, 90.3285° W):Penton, Mary Etta (1859-1944)" \f "Place" }^[265]
 Residence: 1st April 1940 Jerseyville{ XE "USA, Illinois, Jersey, Jerseyville:(39.12° N, 90.3285° W):Penton, Mary Etta (1859-1944)" \f "Place" }^[265]
 Marital Status: Widowed; Relation to Head of House: Head

²⁶⁵ Ancestry.com, 1940 United States Federal Census (Provo, UT, USA, Ancestry.com Operations, Inc., 2012), Ancestry.com, Year: 1940; Census Place: Jerseyville, Jersey, Illinois; Roll: T627_817; Page: 8A; Enumeration District: 42-9. [Source citation includes one media item]

²⁶⁶ Ancestry.com, 1930 United States Federal Census (Provo, UT, USA, Ancestry.com Operations Inc, 2002), Ancestry.com, Year: 1930; Census Place: Jerseyville, Jersey, Illinois; Roll: 522; Page: 6A; Enumeration District: 0009; Image: 135.0; FHL microfilm: 2340257. [Source citation includes one media item]

Children of Charles Willard Sears and Mary Etta Penton:

- f I. **Daisy May⁷ Sears**{ XE "Sears:Daisy May (1878–1955)" \f "Name" \b } was born in Naples{ XE "USA, Illinois, Scott, Naples:(39.7573° N, 90.6074° W):Sears, Daisy May (1878–1955)" \f "Place" } on 7th December 1878.^[267, 268, 269–270] She died in St John's Hospital, St Louis, Missouri,{ XE "USA, Missouri, St Louis, St John's Hospital: :Sears, Daisy May (1878–1955)" \f "Place" } on 16th September 1955, at the age of 76.^[269] Daisy May was buried in Oakgrove Cemetery, Jerseyville, Jersey, Illinois{ XE "USA, Illinois, Jersey, Jerseyville, Oakgrove Cemetery: :Sears, Daisy May (1878–1955)" \f "Place" }.^[269]



Daisy

More facts and events for Daisy May Sears:

- Residence: 1900 Jerseyville{ XE "USA, Illinois, Jersey, Jerseyville:(39.12° N, 90.3285° W):Sears, Daisy May (1878–1955)" \f "Place" }^[270]
Marital Status: Married; Relation to Head of House: Wife
- Residence: 1920 Ward 1, Alton, Madison{ XE "USA, Illinois, Madison, Alton, Ward 1: :Sears, Daisy May (1878–1955)" \f "Place" }^[267]
Marital Status: Married; Relation to Head of House: Wife
- Residence: 1935 Wood River{ XE "USA, Illinois, Madison, Wood River:(38.8612° N, 90.0976° W):Sears, Daisy May (1878–1955)" \f "Place" }^[268]
- Residence: 1st April 1940 Wood River{ XE "USA, Illinois, Madison, Wood River:(38.8612° N, 90.0976° W):Sears, Daisy May (1878–1955)" \f "Place" }^[268]
Marital Status: Married; Relation to Head of House: Wife

At the age of 17, Daisy May married **Clarence Madison Scribner**{ XE "Scribner:Clarence Madison (1873–1949)" \f "Name" \b \i } on Wednesday, 13th May 1896, in Jerseyville, Jersey,{ XE "USA, Illinois, Jersey, Jerseyville:(39.12° N, 90.3285° W):Sears, Daisy May (1878–1955)" \f "Place" } when he was 23 years old.^[267–270] They had four children: Charles (1897–1958), Norma (1898–1974), Adelia (1899–1902) and Clarence (1901–1949).

Clarence Madison was born in Jersey{ XE "USA, Illinois, Jersey:(39.0884° N, 90.3584° W):Scribner, Clarence Madison (1873–1949)" \f "Place" } on Monday, 3rd February 1873.^[267–270]

He reached 76 years of age and died in Wood River Twp Hospital, Wood River,{ XE "USA, Illinois, Madison, Wood River, Wood River Twp Hospital: :Scribner, Clarence Madison (1873–1949)" \f "Place" } on 7th December 1949.^[269] Clarence Madison was buried in Jerseyville, Jersey{ XE "USA, Illinois, Jersey, Jerseyville:(39.12° N, 90.3285° W):Scribner, Clarence Madison (1873–1949)" \f "Place" }.^[269]

²⁶⁷ Ancestry.com, 1920 United States Federal Census (Provo, UT, USA, Ancestry.com Operations Inc, 2010), Ancestry.com, Year: 1920; Census Place: Alton Ward 1, Madison, Illinois; Roll: T625_389; Page: 1A; Enumeration District: 19; Image: 66.

²⁶⁸ Ancestry.com, 1940 United States Federal Census (Provo, UT, USA, Ancestry.com Operations, Inc., 2012), Ancestry.com, Year: 1940; Census Place: Wood River, Madison, Illinois; Roll: T627_851; Page: 18A; Enumeration District: 60-130.

²⁶⁹ Ancestry.com, U.S., Find A Grave Index, 1600s-Current (Provo, UT, USA, Ancestry.com Operations, Inc., 2012), Ancestry.com.

²⁷⁰ Ancestry.com, 1900 United States Federal Census (Provo, UT, USA, Ancestry.com Operations Inc, 2004), Ancestry.com, Year: 1900; Census Place: Jerseyville, Jersey, Illinois; Roll: 309; Page: 24B; Enumeration District: 0038; FHL microfilm: 1240309.

Newsletter Email from Leah Sandmeyer

- m II. **Elmer Clarence Sears**{ XE "Sears:Elmer Clarence (1880–1954)" \f "Name" \b } was born in Naples{ XE "USA, Illinois, Scott, Naples:(39.7573° N, 90.6074° W):Sears, Elmer Clarence (1880–1954)" \f "Place" } on 30th May 1880.^[261, 271, 272, 273–274] He died on 16th December 1954, at the age of 74.

More facts and events for Elmer Clarence Sears:

- Residence: 1900 Mississippi, Jersey{ XE "USA, Illinois, Jersey, Mississippi:(39.0411° N, 90.3106° W):Sears, Elmer Clarence (1880–1954)" \f "Place" }^[261]
Marital Status: Single; Relation to Head of House: Son
- Residence: 1910 Ward 1, Alton, Madison{ XE "USA, Illinois, Madison, Alton, Ward 1: :Sears, Elmer Clarence (1880–1954)" \f "Place" }^[272]
Marital Status: Married; Relation to Head of House: Head
- Residence: 1920 Ward 1{ XE "USA, Illinois, Madison, Alton, Ward 1: :Sears, Elmer Clarence (1880–1954)" \f "Place" }^[271]
Marital Status: Married; Relation to Head of House: Head
- Residence: 1930 Alton{ XE "USA, Illinois, Madison, Alton:(38.8906° N, 90.1843° W):Sears, Elmer Clarence (1880–1954)" \f "Place" }^[274]
Marital Status: Married; Relation to Head of House: Head
- Residence: 1935 Alton{ XE "USA, Illinois, Madison, Alton:(38.8906° N, 90.1843° W):Sears, Elmer Clarence (1880–1954)" \f "Place" }^[273]
- Residence: 1st April 1940 Alton{ XE "USA, Illinois, Madison, Alton:(38.8906° N, 90.1843° W):Sears, Elmer Clarence (1880–1954)" \f "Place" }^[273]
Marital Status: Married; Relation to Head of House: Head

Elmer Clarence Sears married **Ida E Hoffman**{ XE "Hoffman:Ida E (1882–1948)" \f "Name" \b \i } in 1907.^[271–274] They had one son: Willard (1908–1986).

Ida E was born in Webster Groves, St Louis, Missouri,{ XE "USA, Missouri, St Louis, Webster Groves:(38.5926° N, 90.3573° W):Hoffman, Ida E (1882–1948)" \f "Place" }

²⁷¹ Ancestry.com, 1920 United States Federal Census (Provo, UT, USA, Ancestry.com Operations Inc, 2010), Ancestry.com, Year: 1920; Census Place: Alton Ward 1, Madison, Illinois; Roll: T625_389; Page: 10A; Enumeration District: 19; Image: 84.

²⁷² Ancestry.com, 1910 United States Federal Census (Provo, UT, USA, Ancestry.com Operations Inc, 2006), Ancestry.com, Year: 1910; Census Place: Alton Ward 1, Madison, Illinois; Roll: T624_309; Page: 8B; Enumeration District: 0016; FHL microfilm: 1374322.

²⁷³ Ancestry.com, 1940 United States Federal Census (Provo, UT, USA, Ancestry.com Operations, Inc., 2012), Ancestry.com, Year: 1940; Census Place: Alton, Madison, Illinois; Roll: T627_848; Page: 13A; Enumeration District: 60-4.

²⁷⁴ Ancestry.com, 1930 United States Federal Census (Provo, UT, USA, Ancestry.com Operations Inc, 2002), Ancestry.com, Year: 1930; Census Place: Alton, Madison, Illinois; Roll: 540; Page: 9B; Enumeration District: 0004; Image: 622.0; FHL microfilm: 2340275.

on Friday, 27th October 1882.^[271-274] She reached 65 years of age and died on 8th April 1948.

Newsletter Email from Leah Sandmeyer

- f III. **Mabel Olive Sears**{ XE "Sears:Mabel Olive (1882-1969)" \f "Name" \b } was born in Naples{ XE "USA, Illinois, Scott, Naples:(39.7573° N, 90.6074° W):Sears, Mabel Olive (1882-1969)" \f "Place" } on 3rd March 1882.^[261, 264, 269] She died in Jerseyville{ XE "USA, Illinois, Jersey, Jerseyville:(39.12° N, 90.3285° W):Sears, Mabel Olive (1882-1969)" \f "Place" } on 10th April 1969, at the age of 87. Mabel Olive was buried in Jerseyville{ XE "USA, Illinois, Jersey, Jerseyville:(39.12° N, 90.3285° W):Sears, Mabel Olive (1882-1969)" \f "Place" }.^[269]



Mabel

More facts and events for Mabel Olive Sears:

Residence: 1900 Mississippi{ XE "USA, Illinois, Jersey, Mississippi:(39.0411° N, 90.3106° W):Sears, Mabel Olive (1882-1969)" \f "Place" }^[261]

Marital Status: Single; Relation to Head of House: Daughter

At the age of 18, Mabel Olive Sears married **Hugh Oscar Everts**{ XE "Everts:Hugh Oscar (1879-1959)" \f "Name" \b \i } on Tuesday, 25th December 1900, in Jersey{ XE "USA, Illinois, Jersey:(39.0884° N, 90.3584° W):Sears, Mabel Olive (1882-1969)" \f "Place" } when he was 21 years old.^[264, 269] They had four children: Leonard (1902-1961), Frederica (1905-1912), Roscoe (1909-1968) and Marion (1918-1978).

Hugh Oscar was born in Jerseyville, Jersey,{ XE "USA, Illinois, Jersey, Jerseyville:(39.12° N, 90.3285° W):Everts, Hugh Oscar (1879-1959)" \f "Place" } on Sunday, 2nd November 1879.^[264, 269] He reached 79 years of age and died in Jerseyville{ XE "USA, Illinois, Jersey, Jerseyville:(39.12° N, 90.3285° W):Everts, Hugh Oscar (1879-1959)" \f "Place" } on 21st April 1959.^[269] Hugh Oscar was buried in Jerseyville{ XE "USA, Illinois, Jersey, Jerseyville:(39.12° N, 90.3285° W):Everts, Hugh Oscar (1879-1959)" \f "Place" }.^[269]

- f IV. **Leah Faye Sears**{ XE "Sears:Leah Faye (1887-1983)" \f "Name" \b } was born in Jerseyville, Jersey,{ XE "USA, Illinois, Jersey, Jerseyville:(39.12° N, 90.3285° W):Sears, Leah Faye (1887-1983)" \f "Place" } on 10th November 1887.^[261, 262, 265, 269, 275, 276] She died in Arkadelphia, Clark, Arkansas,{ XE "USA, Arkansas, Clark, Arkadelphia:(34.1209° N, 93.0538° W):Sears, Leah Faye (1887-1983)" \f "Place" } on 3rd January 1983, at the age of 95.^[269] Leah Faye was buried in Jerseyville, Jersey, Illinois{ XE "USA, Illinois, Jersey, Jerseyville:(39.12° N, 90.3285° W):Sears, Leah Faye (1887-1983)" \f "Place" }.^[269]



Leah

More facts and events for Leah Faye Sears:

Residence: 1900 Mississippi{ XE "USA, Illinois, Jersey, Mississippi:(39.0411° N, 90.3106° W):Sears, Leah Faye (1887-1983)" \f "Place" }^[261]

Marital Status: Single; Relation to Head of House: Daughter

Residence: 1910 Ward 2, Fulton, Whiteside{ XE "USA, Illinois, Whiteside, Fulton, Ward 2: :Sears, Leah Faye (1887-1983)" \f "Place" }^[276]

²⁷⁵ Ancestry.com, 1930 United States Federal Census (Provo, UT, USA, Ancestry.com Operations Inc, 2002), Ancestry.com, Year: 1930; Census Place: Jerseyville, Jersey, Illinois; Roll: 522; Page: 6B; Enumeration District: 0009; Image: 136.0; FHL microfilm: 2340257.

²⁷⁶ Ancestry.com, 1910 United States Federal Census (Provo, UT, USA, Ancestry.com Operations Inc, 2006), Ancestry.com, Year: 1910; Census Place: Fulton Ward 2, Whiteside, Illinois; Roll: T624_331; Page: 2A; Enumeration District: 0127; FHL microfilm: 1374344.

Residence: 1920 Marital Status: Married; Relation to Head of House: Boarder
 Jersey, Jersey{ XE "USA, Illinois, Jersey, Jersey:(41.0192° N, 89.9276° W):Sears, Leah Faye (1887–1983)" \f "Place" }^[262]
 Marital Status: Married; Relation to Head of House: Daughter

Residence: 1930 Jerseyville{ XE "USA, Illinois, Jersey, Jerseyville:(39.12° N, 90.3285° W):Sears, Leah Faye (1887–1983)" \f "Place" }^[275]
 Marital Status: Divorced; Relation to Head of House: Daughter

Residence: 1935 Jerseyville{ XE "USA, Illinois, Jersey, Jerseyville:(39.12° N, 90.3285° W):Sears, Leah Faye (1887–1983)" \f "Place" }^[265]

Residence: 1st April 1940 Jerseyville{ XE "USA, Illinois, Jersey, Jerseyville:(39.12° N, 90.3285° W):Sears, Leah Faye (1887–1983)" \f "Place" }^[265]
 Marital Status: Married; Relation to Head of House: Daughter

At the age of 20, Leah Faye Sears married **Harry Kerr Waddell**{ XE "Waddell:Harry Kerr (1889–)" \f "Name" \b \i } on Thursday, 3rd September 1908, when he was 19 years old.^[276, 277–278] They had two children: Duane (1910–1991) and Phyllis (1917–1965).

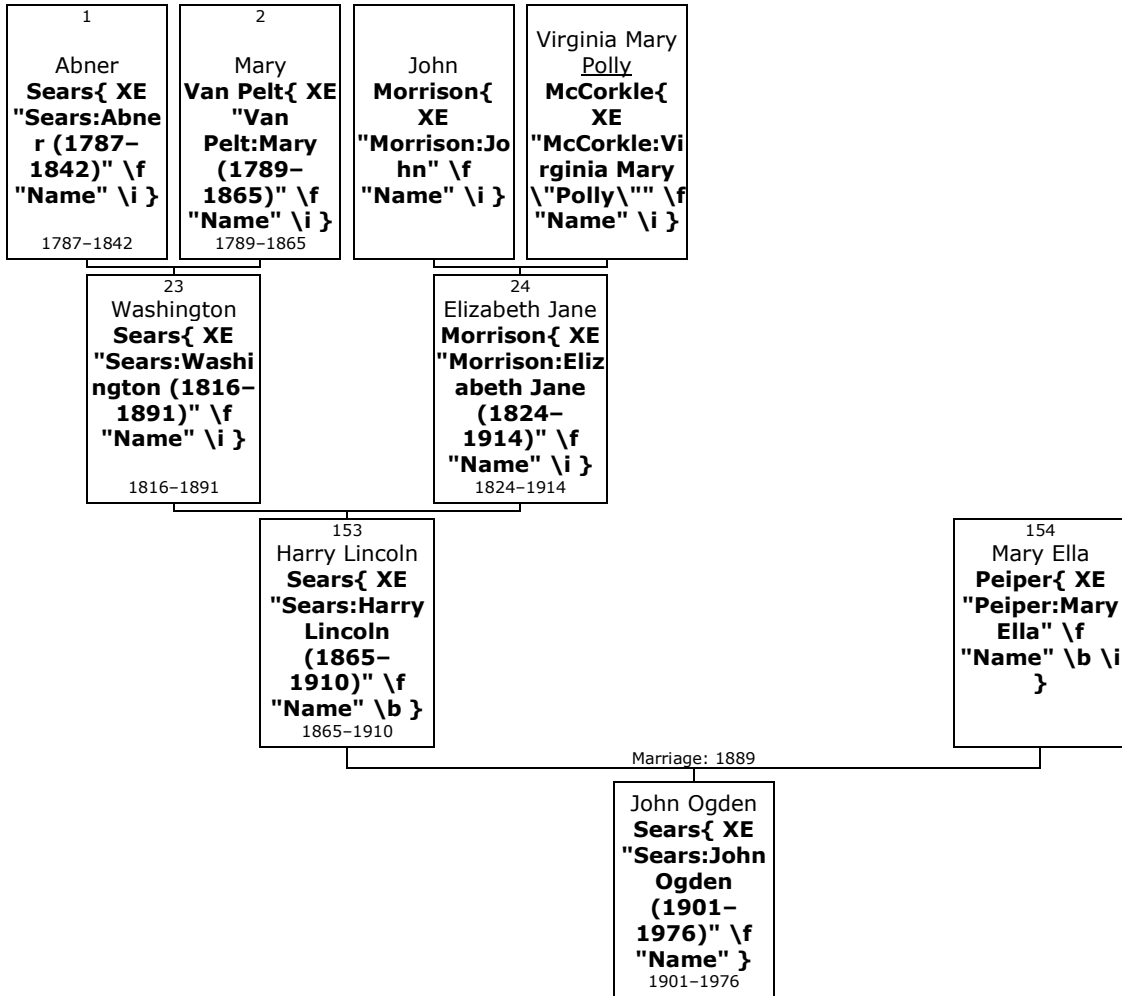
Harry Kerr was born in Illinois{ XE "USA, Illinois:(39.7333° N, 88.5° W):Waddell, Harry Kerr (1889–)" \f "Place" } on Sunday, 1st September 1889.^[276–278]

possib: HARRY WADDELL SSN 328-05-3241 Residence: 61520 Canton, Fulton, IL Born 28 May 1898 Last Benefit: Died Dec 1974 Issued: IL (Before 1951)

²⁷⁷ Ancestry.com, U.S., World War II Draft Registration Cards, 1942 (Provo, UT, USA, Ancestry.com Operations, Inc., 2010), Ancestry.com, The National Archives at St. Louis; St. Louis, Missouri; World War II Draft Cards (4th Registration) for the State of Michigan; State Headquarters: Michigan.
 [Source citation includes one media item]

²⁷⁸ Ancestry.com, U.S., World War I Draft Registration Cards, 1917-1918 (Provo, UT, USA, Ancestry.com Operations Inc, 2005), Ancestry.com, Registration State: New Jersey; Registration County: Essex; Roll: 1712096; Draft Board: 1.
 [Source citation includes one media item]

Family of Harry Sears and Mary Peiper{ TC "Harry Sears and Mary Peiper" \I 3 \f C}



- 153. Harry Lincoln⁶ Sears**{ XE "Sears:Harry Lincoln (1865-1910)" \f "Name" \b } (*Washington⁵, Abner⁴, Sergt Richard³, Silas²*) was born on Sunday, 17th December 1865, in Naples, Scott, Illinois, USA{ XE "USA, Illinois, Scott, Naples:(39.7573° N, 90.6074° W):Sears, Harry Lincoln (1865-1910)" \f "Place" }.^[279, 280] He was the son of Washington Sears{ XE "Sears:Washington (1816-1891)" \f "Name" \i } (23) and Elizabeth Jane Morrison{ XE "Morrison:Elizabeth Jane (1824-1914)" \f "Name" \i } (24).

Harry Lincoln died in Scott{ XE "USA, Illinois, Scott:(39.6479° N, 90.4783° W):Sears, Harry Lincoln (1865-1910)" \f "Place" } on 10th January 1910, at the age of 44.

!S P May No 3315 <http://www.heywoods.info/s/Hsears06.html> middle init.

More facts and events for Harry Lincoln Sears:

Residence: 1880 Scott{ XE "USA, Illinois, Scott:(39.6479° N, 90.4783° W):Sears, Harry Lincoln (1865-1910)" \f "Place" }.^[279]

Marital Status: Single; Relation to Head of House: Son

- 154.** Harry Lincoln married **Mary Ella Peiper**{ XE "Peiper:Mary Ella" \f "Name" \b \i } in 1889 in Scott{ XE "USA, Illinois, Scott:(39.6479° N, 90.4783° W):Sears, Harry Lincoln (1865-1910)" \f "Place" }.^[280] They had one son: John (1901-1976).

²⁷⁹ Ancestry.com and The Church of Jesus Christ of Latter-day Saints, 1880 United States Federal Census (Provo, UT, USA, Ancestry.com Operations Inc, 2010), Ancestry.com, Year: 1880; Census Place: Scott, Illinois; Roll: 250; Family History Film: 1254250; Page: 585A; Enumeration District: 240.
[Source citation includes one media item]

²⁸⁰ Ancestry.com, Illinois, Marriage Index, 1860-1920 (Provo, UT, USA, Ancestry.com Operations, Inc., 2015), Ancestry.com.

Son of Harry Lincoln Sears and Mary Ella Peiper:

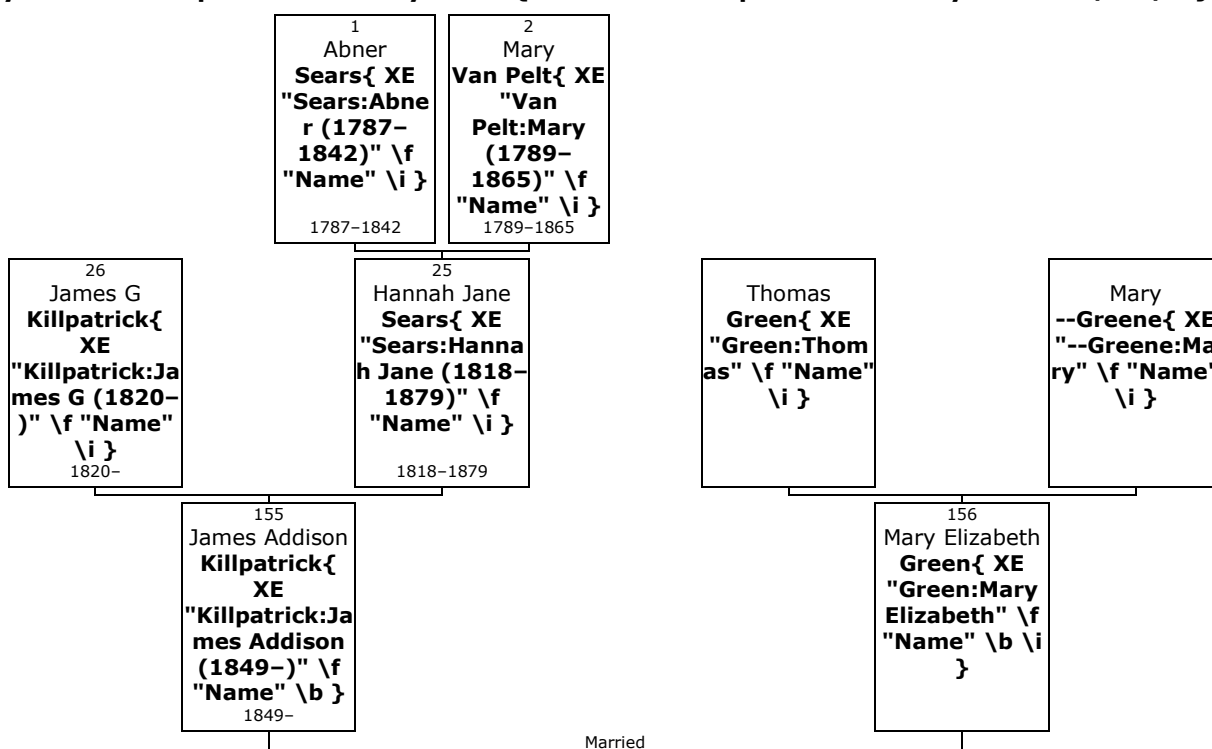
m I. **John Ogden⁷ Sears**{ XE "Sears:John Ogden (1901–1976)" \f "Name" \b } was born in Scott{ XE "USA, Illinois, Scott:(39.6479° N, 90.4783° W):Sears, John Ogden (1901–1976)" \f "Place" } on 1st December 1901.^[281, 282] He died in Bluffs, Scott,{ XE "USA, Illinois, Scott, Bluffs:(39.752° N, 90.5351° W):Sears, John Ogden (1901–1976)" \f "Place" } on 26th November 1976, at the age of 74.^[281] John Ogden was buried in Bluffs{ XE "USA, Illinois, Scott, Bluffs:(39.752° N, 90.5351° W):Sears, John Ogden (1901–1976)" \f "Place" }.^[281]

John Ogden married **Jessie Beulah Hart**{ XE "Hart:Jessie Beulah (1900–1981)" \f "Name" \b \i }.^[281] They had one son: Carroll (1929–1995).

Jessie Beulah was born in Illinois{ XE "USA, Illinois:(39.7333° N, 88.5° W):Hart, Jessie Beulah (1900–1981)" \f "Place" } on Friday, 14th September 1900.^[281] He or she reached 81 years of age and died in Bluffs, Scott, Illinois,{ XE "USA, Illinois, Scott, Bluffs:(39.752° N, 90.5351° W):Hart, Jessie Beulah (1900–1981)" \f "Place" } on 26th October 1981.^[281] Jessie Beulah was buried in Bluffs{ XE "USA, Illinois, Scott, Bluffs:(39.752° N, 90.5351° W):Hart, Jessie Beulah (1900–1981)" \f "Place" }.^[281]

John Ogden Sears married **Jessie B Hart**{ XE "Hart:Jessie B" \f "Name" \b \i }.^[282] They had one son: Carroll (1929–1995).

Family of James Killpatrick and Mary Green{ TC "James Killpatrick and Mary Green" \I 3 \f C}



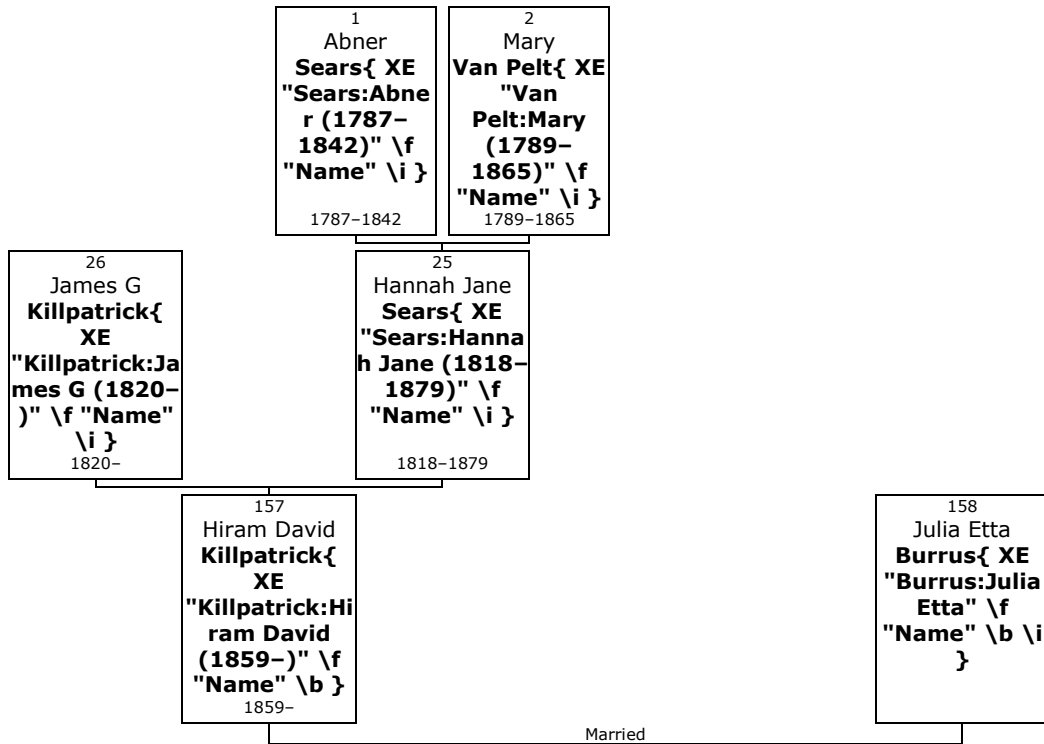
155. James Addison⁶ Killpatrick{ XE "Killpatrick:James Addison (1849–)" \f "Name" \b } (*Hannah Jane⁵ Sears, Abner⁴, Sergt Richard³, Silas²*) was born on Wednesday, 26th December 1849, in perh, Naples, Scott, Illinois, USA{ XE "USA, Illinois, Scott, Naples, perh: :Killpatrick, James Addison (1849–)" \f "Place" }. He was the son of James G Killpatrick{ XE "Killpatrick:James G (1820–)" \f "Name" \i } (26) and Hannah Jane Sears{ XE "Sears:Hannah Jane (1818–1879)" \f "Name" \i } (25).

156. James Addison married **Mary Elizabeth Green**{ XE "Green:Mary Elizabeth" \f "Name" \b \i }.

²⁸¹ Ancestry.com, U.S., Find A Grave Index, 1600s-Current (Provo, UT, USA, Ancestry.com Operations, Inc., 2012), Ancestry.com.

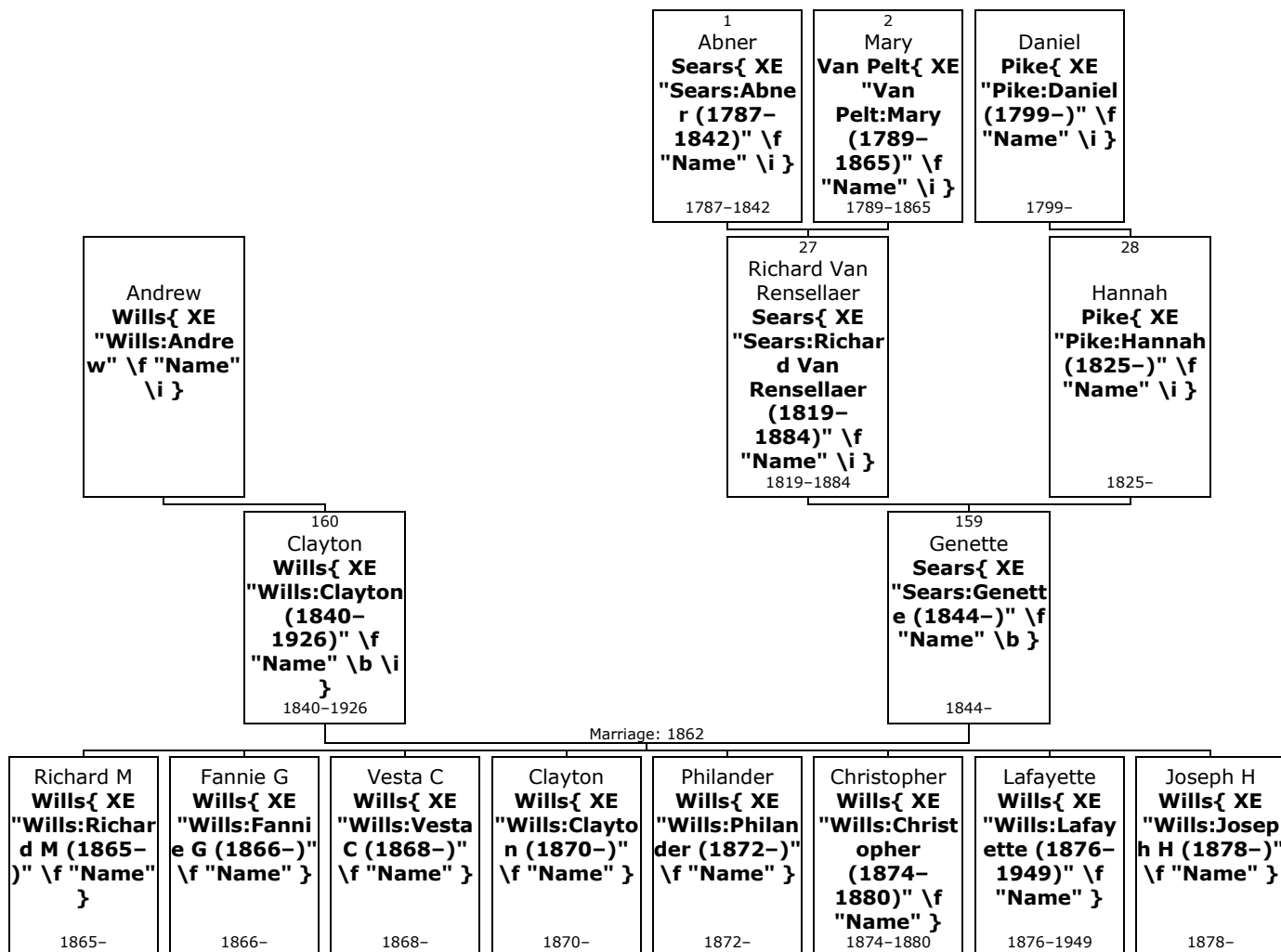
²⁸² Ancestry.com, U.S., Social Security Applications and Claims Index, 1936-2007 (Provo, UT, USA, Ancestry.com Operations, Inc., 2015), Ancestry.com.

Family of Hiram Killpatrick and Julia Burrus{ TC "Hiram Killpatrick and Julia Burrus" \I 3 \f C}



- 157.** **Hiram David⁶ Killpatrick**{ XE "Killpatrick:Hiram David (1859-)" \f "Name" \b } (*Hannah Jane⁵ Sears, Abner⁴, Sergt Richard³, Silas²*) was born on Saturday, 27th August 1859, in perh, Naples, Scott, Illinois, USA{ XE "USA, Illinois, Scott, Naples, perh: :Killpatrick, Hiram David (1859-)" \f "Place" }. He was the son of James G Killpatrick{ XE "Killpatrick:James G (1820-)" \f "Name" \i } (26) and Hannah Jane Sears{ XE "Sears:Hannah Jane (1818-1879)" \f "Name" \i } (25).
- 158.** Hiram David married **Julia Etta Burrus**{ XE "Burrus:Julia Etta" \f "Name" \b \i }.

Family of Genette Sears and Clayton Wills{ TC "Genette Sears and Clayton Wills" \I 3 \f C}



159. Genette⁶ Sears{ XE "Sears:Genette (1844-)" \f "Name" \b } (*Richard Van Rensselaer⁵, Abner⁴, Sergt Richard³, Silas²*) was born on Sunday, 5th May 1844, in Oxville, Scott, Illinois, USA{ XE "USA, Illinois, Scott, Oxville:(39.7047° N, 90.5611° W):Sears, Genette (1844-)" \f "Place" }.^[283] She was the daughter of Richard Van Rensselaer Sears{ XE "Sears:Richard Van Rensselaer (1819-1884)" \f "Name" \i } (27) and Hannah Pike{ XE "Pike:Hannah (1825-)" \f "Name" \i } (28).

!S P May No 3318
 !FindAGrave Photo added by Shirley
 Genette Sears Wills
 BIRTH 5 May 1844
 DEATH 19 Jan 1900 (aged 55)
 BURIAL Sears Cemetery Bluffs, Scott County, Illinois, USA
 MEMORIAL ID 84234323

More facts and events for Genette Sears:

Residence: 1880 Scott{ XE "USA, Illinois, Scott:(39.6479° N, 90.4783° W):Sears, Genette (1844-)" \f "Place" }.^[283]
 Age: 36; Occupation: Keeping House; EnumerationDistrict: 240;
 MaritalStatus: Married; RelationToHead: Wife

²⁸³ Ancestry.com and The Church of Jesus Christ of Latter-day Saints, 1880 United States Federal Census (Provo, UT, USA, Ancestry.com Operations Inc, 2010), Ancestry.com, Year: 1880; Census Place: Scott, Illinois; Roll: 250; Page: 581A; Enumeration District: 240. Record for Jennette Wills.
<http://search.ancestry.com/cgi-bin/sse.dll?db=6742&h=21802212&indiv=try>.
 [Source citation includes one media item]

- 160.** At the age of 18, Genette married **Clayton Wills**{ XE "Wills:Clayton (1840–1926)" \f "Name" \b \i } on Tuesday, 12th August 1862, when he was 21 years old.^[283] They had eight children: Richard (1865–), Fannie (1866–), Vesta (1868–), Clayton (1870–), Philander (1872–), Christopher (1874–1880), Lafayette (1876–1949) and Joseph (1878–).

Clayton was born in Oxville, Scott,{ XE "USA, Illinois, Scott, Oxville:(39.7047° N, 90.5611° W):Wills, Clayton (1840–1926)" \f "Place" } on Sunday, 1st November 1840.^[283] He was the son of Andrew Wills{ XE "Wills:Andrew" \f "Name" \i }.

Clayton reached 85 years of age and died in Hettick, Macoupin,{ XE "USA, Illinois, Macoupin, Hettick:(39.3551° N, 90.0371° W):Wills, Clayton (1840–1926)" \f "Place" } on 11th January 1926. He was buried in Sears Cemetery, Bluffs, Scott{ XE "USA, Illinois, Scott, Bluffs, Sears Cemetery: :Wills, Clayton (1840–1926)" \f "Place" }.

!S.P. May p.461 served in Co I, 129th Regt, IL Vols, during the war and settled as a blacksmith in Alsey, Scott co, IL Email from Janell Ramey, jramey@accunet.net, 16 Jul 98, BUR place, he was a resident of Old Soldiers Home, Quincy, IL, from Family Bible of Joseph Wills, copied by Beulah Ramey on 31 Oct 1975. Confirms b. added Oxville, added father's name.

More facts and events for Clayton Wills:

Residence: 1880 Scott{ XE "USA, Illinois, Scott:(39.6479° N, 90.4783° W):Wills, Clayton (1840–1926)" \f "Place" }^[283]
Age: 40; Occupation: Blacksmith; EnumerationDistrict: 240; MaritalStatus: Married; RelationToHead: Self

Children of Genette Sears and Clayton Wills:

- m I. **Richard M⁷ Wills**{ XE "Wills:Richard M (1865–)" \f "Name" \b } was born in perh{ XE "USA, Illinois, perh: :Wills, Richard M (1865–)" \f "Place" } on 19th August 1865.^[283]

More facts and events for Richard M Wills:

Residence: 1880 Scott{ XE "USA, Illinois, Scott:(39.6479° N, 90.4783° W):Wills, Richard M (1865–)" \f "Place" }^[283]
Age: 15; Occupation: At Home; AttendedSchool: Yes; EnumerationDistrict: 240; MaritalStatus: Single; RelationToHead: Son

- f II. **Fannie G Wills**{ XE "Wills:Fannie G (1866–)" \f "Name" \b } was born in perh{ XE "USA, Illinois, perh: :Wills, Fannie G (1866–)" \f "Place" } on 20th November 1866.^[283]

More facts and events for Fannie G Wills:

Residence: 1880 Scott{ XE "USA, Illinois, Scott:(39.6479° N, 90.4783° W):Wills, Fannie G (1866–)" \f "Place" }^[283]
Age: 13; Occupation: At Home; AttendedSchool: Yes; EnumerationDistrict: 240; MaritalStatus: Single; RelationToHead: Daughter

- f III. **Vesta C Wills**{ XE "Wills:Vesta C (1868–)" \f "Name" \b } was born in perh{ XE "USA, Illinois, perh: :Wills, Vesta C (1868–)" \f "Place" } on 4th October 1868.^[283]

More facts and events for Vesta C Wills:

Residence: 1880 Scott{ XE "USA, Illinois, Scott:(39.6479° N, 90.4783° W):Wills, Vesta C (1868–)" \f "Place" }^[283]
Age: 11; Occupation: At Home; AttendedSchool: Yes; EnumerationDistrict: 240; MaritalStatus: Single; RelationToHead: Daughter

Vesta C married **(unknown given name) Parker**{ XE "Parker:(unknown given name)" \f "Name" \b \i }.

- m IV. **Clayton Wills**{ XE "Wills:Clayton (1870-)" \f "Name" \b } was born in perh{ XE "USA, Illinois, perh: :Wills, Clayton (1870-)" \f "Place" } on 3rd October 1870.^[283]
More facts and events for Clayton Wills:
Residence: 1880 Scott{ XE "USA, Illinois, Scott:(39.6479° N, 90.4783° W):Wills, Clayton (1870-)" \f "Place" }^[283]
Age: 9; AttendedSchool: Yes; EnumerationDistrict: 240; MaritalStatus: Single; RelationToHead: Son
- m V. **Philander Wills**{ XE "Wills:Philander (1872-)" \f "Name" \b } was born in perh{ XE "USA, Illinois, perh: :Wills, Philander (1872-)" \f "Place" } on 7th March 1872.^[283]
More facts and events for Philander Wills:
Residence: 1880 Scott{ XE "USA, Illinois, Scott:(39.6479° N, 90.4783° W):Wills, Philander (1872-)" \f "Place" }^[283]
Age: 7; AttendedSchool: Yes; EnumerationDistrict: 240; MaritalStatus: Single; RelationToHead: Son
- m VI. **Christopher Wills**{ XE "Wills:Christopher (1874-1880)" \f "Name" \b } was born in perh{ XE "USA, Illinois, perh: :Wills, Christopher (1874-1880)" \f "Place" } on 7th June 1874.^[283] He died on 4th January 1880, at the age of 5.
More facts and events for Christopher Wills:
Residence: 1880 Scott{ XE "USA, Illinois, Scott:(39.6479° N, 90.4783° W):Wills, Christopher (1874-1880)" \f "Place" }^[283]
Age: 5; EnumerationDistrict: 240; MaritalStatus: Single; RelationToHead: Son
- m VII. **Lafayette Wills**{ XE "Wills:Lafayette (1876-1949)" \f "Name" \b } was born in Illinois{ XE "USA, Illinois:(39.7333° N, 88.5° W):Wills, Lafayette (1876-1949)" \f "Place" } on 17th March 1876.^[283] He died in Illinois{ XE "USA, Illinois:(39.7333° N, 88.5° W):Wills, Lafayette (1876-1949)" \f "Place" } on 20th April 1949, at the age of 73. Lafayette was buried in Litchfield, Montgomery, Illinois{ XE "USA, Illinois, Montgomery, Litchfield:(39.1753° N, 89.6543° W):Wills, Lafayette (1876-1949)" \f "Place" }.
More facts and events for Lafayette Wills:
Residence: 1880 Scott{ XE "USA, Illinois, Scott:(39.6479° N, 90.4783° W):Wills, Lafayette (1876-1949)" \f "Place" }^[283]
Age: 3; EnumerationDistrict: 240; MaritalStatus: Single; RelationToHead: Son

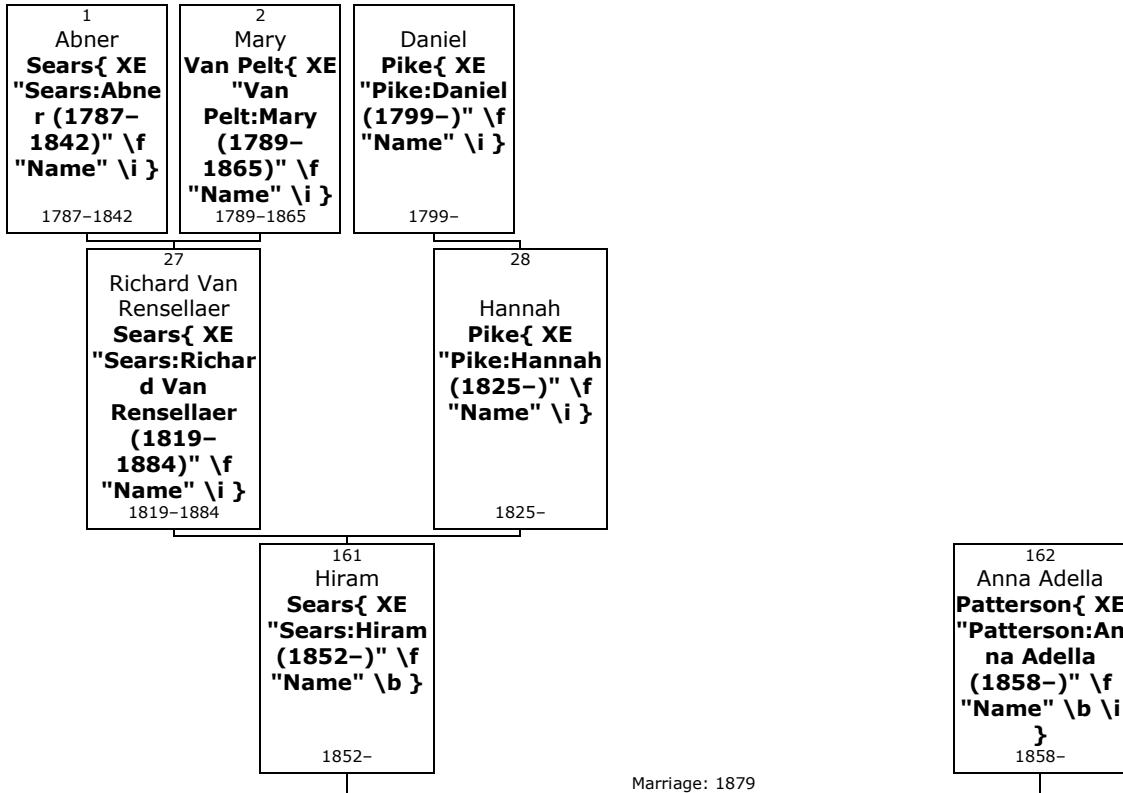
Lafayette married **Katie Angeline Stratton**{ XE "Stratton:Katie Angeline" \f "Name" \b \i } on Monday, 24th December 1900, in Bar Store, Barr, Macoupin{ XE "USA, Illinois, Macoupin, Barr, Bar Store: :Wills, Lafayette (1876-1949)" \f "Place" }. They had four children: Charles (1902-), Sarah (1904-), Margaret (1909-) and Earl. She was the daughter of Arthur Stratton{ XE "Stratton:Arthur" \f "Name" \i } and Sarah Dunn{ XE "Dunn:Sarah" \f "Name" \i }.
Katie Angeline was buried in Litchfield, Montgomery{ XE "USA, Illinois, Montgomery, Litchfield:(39.1753° N, 89.6543° W):Stratton, Katie Angeline" \f "Place" }.
Email from Janell Ramey, jramey@accunet.net, 16 Jul 98, bur. place, from Family Bible of Joseph Wills, copied by Beulah Ramey on 31 Oct 1975.
- m VIII. **Joseph H Wills**{ XE "Wills:Joseph H (1878-)" \f "Name" \b } was born in perh, Illinois,{ XE "USA, Illinois, perh: :Wills, Joseph H (1878-)" \f "Place" } on 17th January 1878.^[283] He died in Hettick, Macoupin{ XE "USA, Illinois, Macoupin, Hettick:(39.3551° N, 90.0371° W):Wills, Joseph H (1878-)" \f "Place" }.

More facts and events for Joseph H Wills:

Residence: 1880 Scott{ XE "USA, Illinois, Scott:(39.6479° N, 90.4783° W):Wills, Joseph H (1878-)" \f "Place" }^[283]
 Age: 2; EnumerationDistrict: 240; MaritalStatus: Single;
 RelationToHead: Son

Joseph H married **Mattie Stratton**{ XE "Stratton:Mattie" \f "Name" \b \i }.

Family of Hiram Sears and Anna Patterson{ TC "Hiram Sears and Anna Patterson" \I 3 \f C}



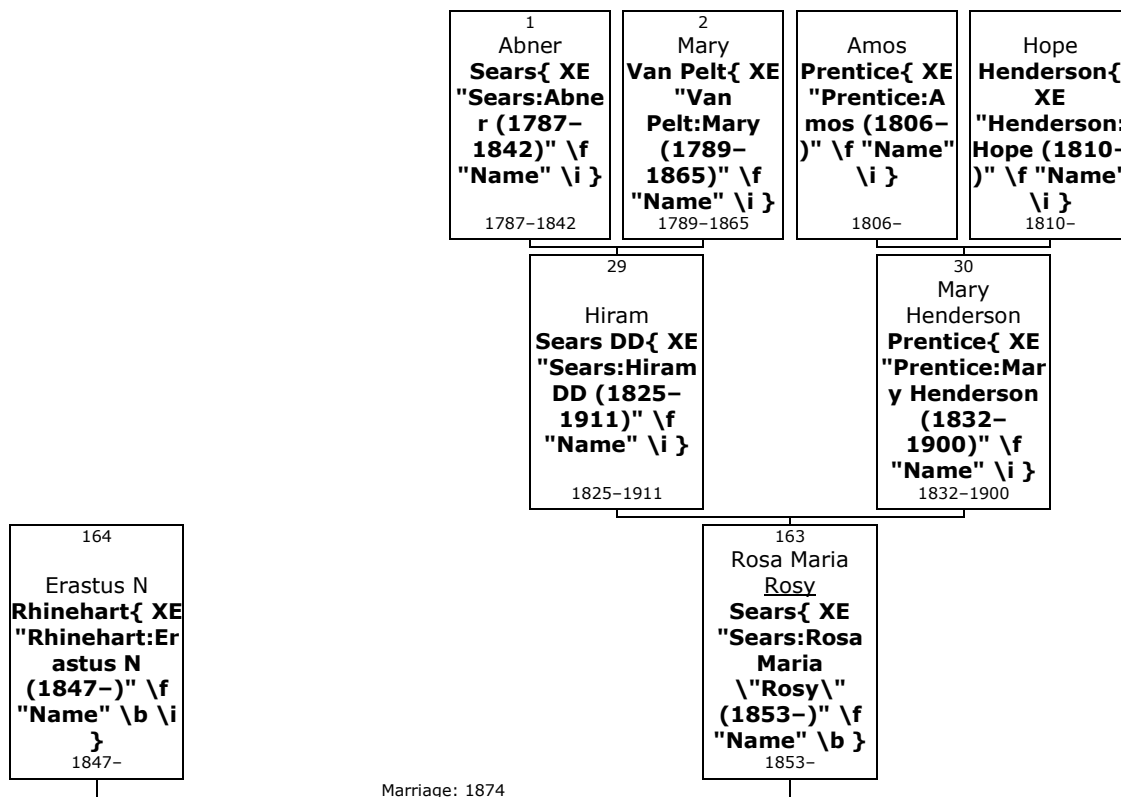
- 161. Hiram⁶ Sears**{ XE "Sears:Hiram (1852-)" \f "Name" \b } (*Richard Van Rensellaer⁵, Abner⁴, Sergt Richard³, Silas²*) was born on Sunday, 15th February 1852, in Naples, Scott, Illinois, USA{ XE "USA, Illinois, Scott, Naples:(39.7573° N, 90.6074° W):Sears, Hiram (1852-)" \f "Place" }. He was the son of Richard Van Rensellaer Sears{ XE "Sears:Richard Van Rensellaer (1819-1884)" \f "Name" \i } (27) and Hannah Pike{ XE "Pike:Hannah (1825-)" \f "Name" \i } (28).

!S.P. May No 3322 p.461 Is a farmer; no children

- 162.** Hiram married **Anna Adella Patterson**{ XE "Patterson:Anna Adella (1858-)" \f "Name" \b \i } on Thursday, 2nd October 1879. They had no known children.

Anna Adella was born in Chapin, Morgan,{ XE "USA, Illinois, Morgan, Chapin:(39.7659° N, 90.399° W):Patterson, Anna Adella (1858-)" \f "Place" } in 1858.

Family of Rosy Sears and Erastus Rhinehart{ TC "Rosy Sears and Erastus Rhinehart" \I 3 \f C}



163. **Rosa Maria Rosy⁶ Sears**{ XE "Sears:Rosa Maria \"Rosy\" (1853-)\" \f \"Name\" \b } (*Rev Hiram⁵, Abner⁴, Sergt Richard³, Silas²*) was born on Sunday, 19th June 1853, in Fairfield, Bureau, Illinois, USA{ XE "USA, Illinois, Bureau, Fairfield:(38.3789° N, 88.3598° W):Sears, Rosa Maria \"Rosy\" (1853-)\" \f \"Place\" }. She was the daughter of Hiram Sears DD{ XE "Sears:Hiram DD (1825-1911)" \f "Name" \i } (29) and Mary Henderson Prentice{ XE "Prentice:Mary Henderson (1832-1900)" \f "Name" \i } (30).

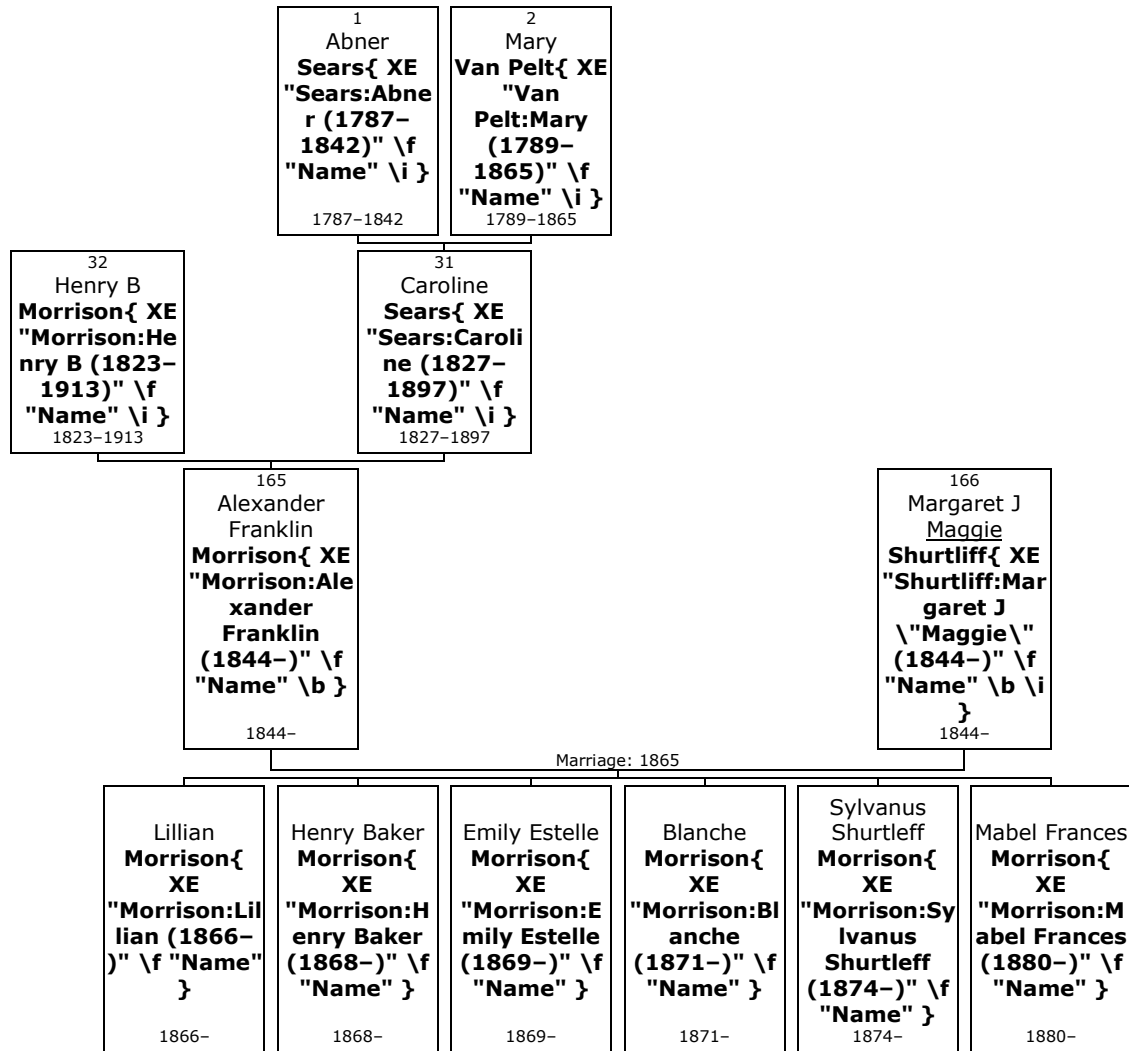
S P May No 3324

164. At the age of 20, Rosy married **Hon Erastus N Rhinehart**{ XE "Rhinehart:Erastus N (1847-)\" \f "Name" \b \i } on Monday, 25th May 1874, at By Rev Grant in Carbondale, Jackson,{ XE "USA, Illinois, Jackson, Carbondale:(37.7273° N, 89.2168° W):Sears, Rosa Maria \"Rosy\" (1853-)\" \f \"Place\" } when he was 27 years old. They had no known children.

Erastus N was born in Watson, Effingham,{ XE "USA, Illinois, Effingham, Watson:(39.0253° N, 88.5698° W):Rhinehart, Erastus N (1847-)\" \f \"Place\" } on Monday, 1st March 1847.

!S.P. May p.461 a lawyer; has been Mem Leg, for a number of years; no children

Family of Alexander Morrison and Maggie Shurtliff{ TC "Alexander Morrison and Maggie Shurtliff" \I 3 \f C}



- 165. Alexander Franklin⁶ Morrison**{ XE "Morrison:Alexander Franklin (1844-)" \f "Name" \b } (*Caroline⁵ Sears, Abner⁴, Sergt Richard³, Silas²*) was born on Tuesday, 24th December 1844, in perh, Naples, Scott, Illinois, USA{ XE "USA, Illinois, Scott, Naples, perh: :Morrison, Alexander Franklin (1844-)" \f "Place" }.^[284] He was the son of Henry B Morrison{ XE "Morrison:Henry B (1823-1913)" \f "Name" \i } (32) and Caroline Sears{ XE "Sears:Caroline (1827-1897)" \f "Name" \i } (31).
- 166. Alexander Franklin** married **Margaret J Maggie Shurtliff**{ XE "Shurtliff:Margaret J \"Maggie\" (1844-)" \f "Name" \b \i } on Monday, 2nd October 1865.^[284] They had six children: Lillian (1866-), Henry (1868-), Emily (1869-), Blanche (1871-), Sylvanus (1874-) and Mabel (1880-).

Maggie was born in Clinton, De Witt,{ XE "USA, Illinois, De Witt, Clinton:(40.1537° N, 88.9645° W):Shurtliff, Margaret J \"Maggie\" (1844-)" \f "Place" } in 1844.

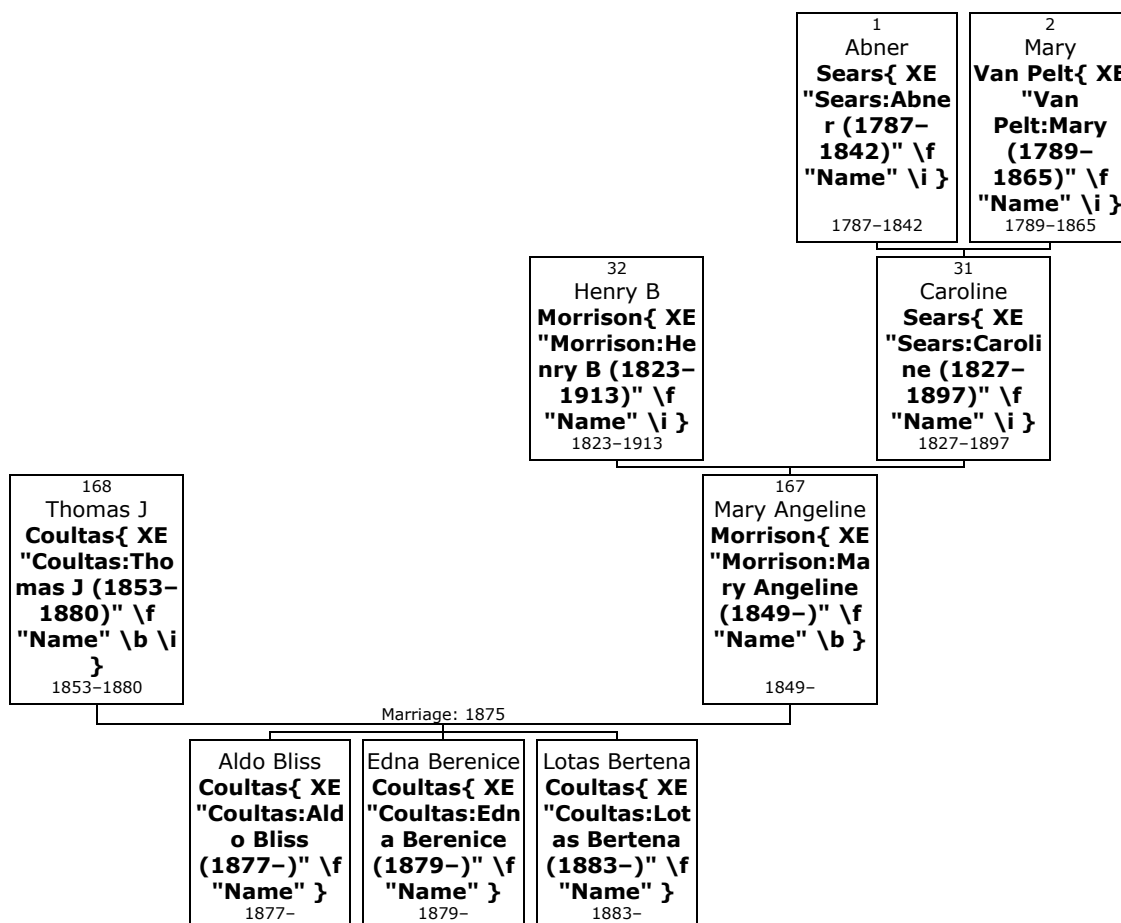
Children of Alexander Franklin Morrison and Margaret J Maggie Shurtliff:

- f I. **Lillian⁷ Morrison**{ XE "Morrison:Lillian (1866-)" \f "Name" \b } was born in perh, Clinton,{ XE "USA, Illinois, Clinton, perh: :Morrison, Lillian (1866-)" \f "Place" } on 2nd October 1866. She is deceased. d. inf.
- m II. **Henry Baker Morrison**{ XE "Morrison:Henry Baker (1868-)" \f "Name" \b } was born in perh{ XE "USA, Illinois, Clinton, perh: :Morrison, Henry Baker (1868-)" \f "Place" } in 1868. He is deceased. d. inf.

²⁸⁴ Ancestry.com, Illinois, Marriage Index, 1860-1920 (Provo, UT, USA, Ancestry.com Operations, Inc., 2015), Ancestry.com, Record for Alexander F Morrison. <http://search.ancestry.com/cgi-bin/sse.dll?db=60984&h=621716&indiv=try>.

- f III. **Emily Estelle Morrison**{ XE "Morrison:Emily Estelle (1869-)" \f "Name" \b } was born in perh{ XE "USA, Illinois, Clinton, perh: :Morrison, Emily Estelle (1869-)" \f "Place" } on 27th August 1869.
- f IV. **Blanche Morrison**{ XE "Morrison:Blanche (1871-)" \f "Name" \b } was born in perh{ XE "USA, Illinois, Clinton, perh: :Morrison, Blanche (1871-)" \f "Place" } on 9th January 1871.
Blanche married **Charles Brady**{ XE "Brady:Charles" \f "Name" \b \i }.
- m V. **Sylvanus Shurtleff Morrison**{ XE "Morrison:Sylvanus Shurtleff (1874-)" \f "Name" \b } was born in perh{ XE "USA, Illinois, Clinton, perh: :Morrison, Sylvanus Shurtleff (1874-)" \f "Place" } on 22nd January 1874.
- f VI. **Mabel Frances Morrison**{ XE "Morrison:Mabel Frances (1880-)" \f "Name" \b } was born in perh{ XE "USA, Illinois, Clinton, perh: :Morrison, Mabel Frances (1880-)" \f "Place" } on 1st February 1880.

Family of Mary Morrison and Thomas Coultas{ TC "Mary Morrison and Thomas Coultas" \I 3 \f C}



167. Mary Angeline⁶ Morrison{ XE "Morrison:Mary Angeline (1849-)" \f "Name" \b } (*Caroline⁵ Sears, Abner⁴, Sergt Richard³, Silas²*) was born on Monday, 26th February 1849, in Illinois, USA{ XE "USA, Illinois:(39.7333° N, 88.5° W):Morrison, Mary Angeline (1849-)" \f "Place" }.^[285] She was the daughter of Henry B Morrison{ XE "Morrison:Henry B (1823-1913)" \f "Name" \i } (32) and Caroline Sears{ XE "Sears:Caroline (1827-1897)" \f "Name" \i } (31).

Mary Angeline died in Scott, Illinois{ XE "USA, Illinois, Scott:(39.6479° N, 90.4783° W):Morrison, Mary Angeline (1849-)" \f "Place" }.^[285]

²⁸⁵ FamilySearch.org, FamilySearch Family Tree, FamilySearch, "Family Tree," database, <i>FamilySearch</i> (<http://familysearch.org> : modified 13 September 2017, 19:25), entry for Mary Angeline Morrison(PID <https://familysearch.org/ark:/61903/4:1:K4J9-VQ5>); contributed by various users. PersonID K4J9-VQ5. Mary Angeline Morrison. <https://familysearch.org/ark:/61903/4:1:K4J9-VQ5>.

168. Mary Angeline married **Rev Thomas J Coultas**{ XE "Coultas:Thomas J (1853–1880)" \f "Name" \b \i } on Tuesday, 23rd November 1875, in McLean{ XE "USA, Illinois, McLean:(40.4947° N, 88.8454° W):Morrison, Mary Angeline (1849–)" \f "Place" }.^[285] They had three children: Aldo (1877–), Edna (1879–) and Lotas (1883–).

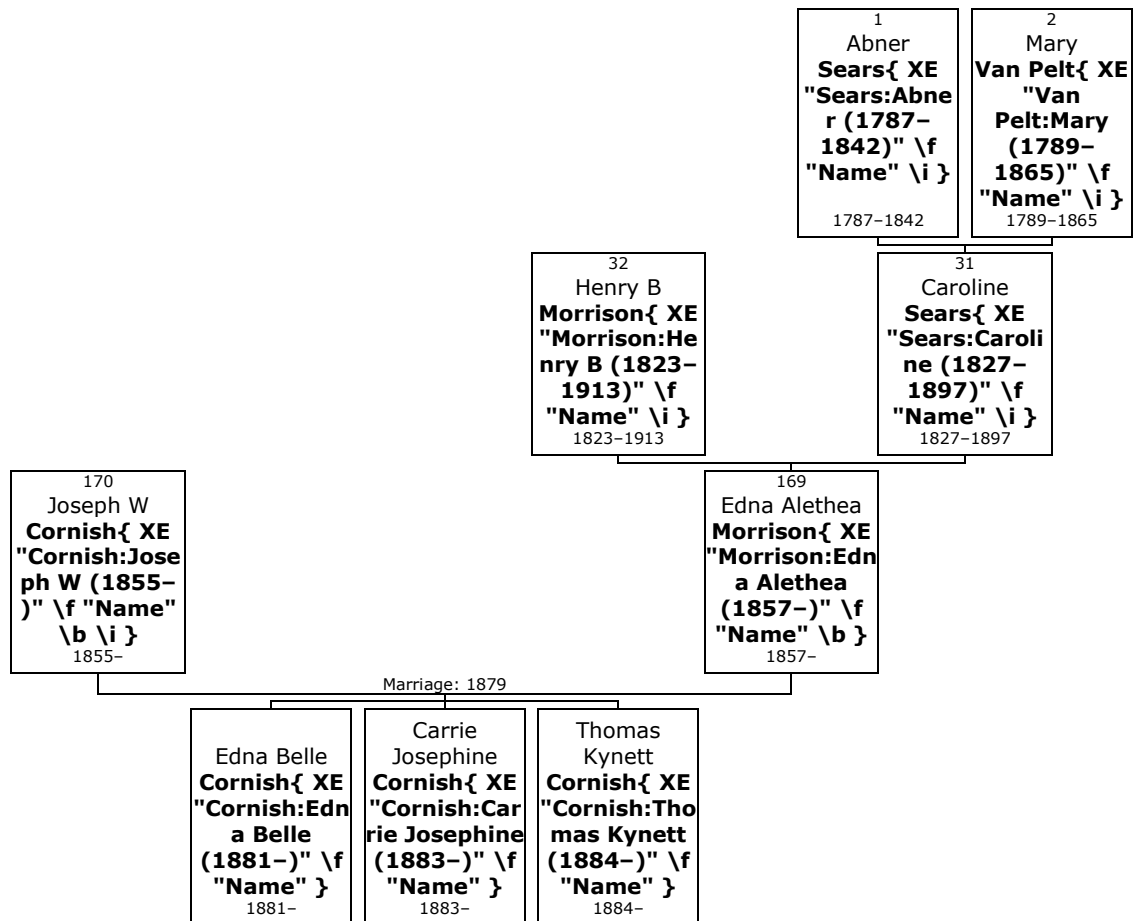
Thomas J was born in Scott{ XE "USA, Illinois, Scott:(39.6479° N, 90.4783° W):Coultas, Thomas J (1853–1880)" \f "Place" } in 1853. He reached 27 years of age and died in Adams{ XE "USA, Illinois, Adams:(39.9859° N, 91.1946° W):Coultas, Thomas J (1853–1880)" \f "Place" } in 1880.

!S.P. May p.312 Of the IL Conf. M. E. Ch.

Children of Mary Angeline Morrison and Thomas J Coultas:

- m I. **Aldo Bliss⁷ Coultas**{ XE "Coultas:Aldo Bliss (1877–)" \f "Name" \b } was born on 10th March 1877.
- f II. **Edna Berenice Coultas**{ XE "Coultas:Edna Berenice (1879–)" \f "Name" \b } was born on 16th March 1879.
- III. **Lotas Bertena Coultas**{ XE "Coultas:Lotas Bertena (1883–)" \f "Name" \b } was born on 8th December 1883.

Family of Edna Morrison and Joseph Cornish{ TC "Edna Morrison and Joseph Cornish" \I 3 \f C}



169. **Edna Alethea⁶ Morrison**{ XE "Morrison:Edna Alethea (1857–)" \f "Name" \b } (*Caroline⁵ Sears, Abner⁴, Sergt Richard³, Silas²*) was born on Monday, 3rd August 1857.^[286] She was the daughter of Henry B Morrison{ XE "Morrison:Henry B (1823–1913)" \f "Name" \i } (32) and Caroline Sears{ XE

²⁸⁶ Ancestry.com and The Church of Jesus Christ of Latter-day Saints, 1880 United States Federal Census (Provo, UT, USA, Ancestry.com Operations Inc, 2010), Ancestry.com, Year: 1880; Census Place: Des Moines, Jackson, Minnesota; Roll: 624; Page: 507C; Enumeration District: 122. Record for Edna Cornish.
<http://search.ancestry.com/cgi-bin/sse.dll?db=6742&h=33148012&indiv=try>.
 [Source citation includes one media item]

"Sears:Caroline (1827-1897)" \f "Name" \i } (31). She was also known as **Edna Morrison**{ XE "Morrison:Edna (Edna A. Morrison) (1857-)" \f "Name" }.^[286]

More facts and events for Edna Alethea Morrison:

Residence: 1880 Des Moines{ XE "USA, Minnesota, Jackson, Des Moines:(43.6358° N, 95.0253° W):Morrison, Edna Alethea (1857-)" \f "Place" }^[286]
Age: 23; Occupation: Keeps House; EnumerationDistrict: 122;
MarriedWithinYear: Y; MaritalStatus: Married; RelationToHead: Wife

- 170.** Edna Alethea married **Rev Joseph W Cornish**{ XE "Cornish:Joseph W (1855-)" \f "Name" \b \i } on Wednesday, 12th November 1879.^[286] They had three children: Edna (1881-), Carrie (1883-) and Thomas (1884-).

Joseph W was born in New York{ XE "USA, New York:(42.7531° N, 74.2224° W):Cornish, Joseph W (1855-)" \f "Place" } in 1855.^[286]

!S.P. may p.312 Of MN Conf M.E. Ch <http://www.facebook.com/brian.cornish> My Sears lines: Richard (the Pilgrim) - Silas - Joseph - Silas (who married Deborah Buck) - Richard - Abner - Caroline ... and Richard (the Pilgrim) - Silas - Silas - Phebe - Deborah Buck. So Silas Sears and Deborah Buck would have been 1st cousins, once removed, which must have made for an interesting situation at their wedding. Bride's side or groom's side? This looks like him:

http://www.archive.org/stream/minutesannualco03churgoog/minutesannualco03churgoog_djvu.txt 420*
Cornish, J. W in the Alpha List of preachers i think that means page 420 the Luveme Church in the Marshall District of the Minn Conf! oops, that must be Luverne, Minn can't find a Luveme Rock Co, http://genealogytrails.com/minn/rock/Obits/obits_s.htm

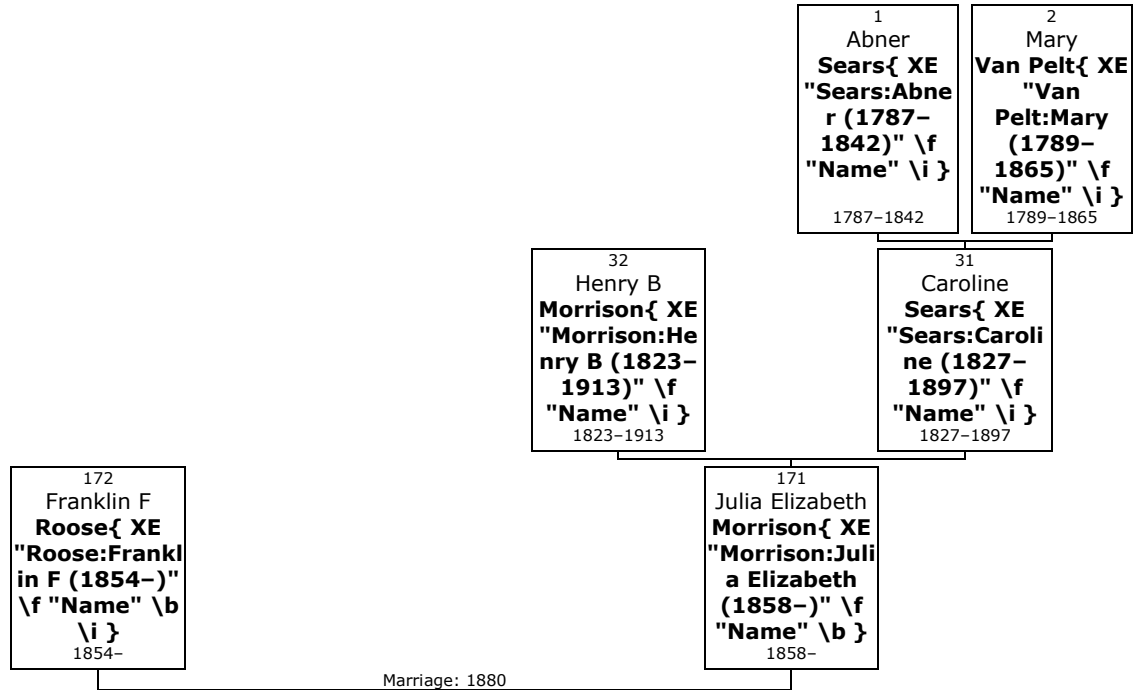
More facts and events for Joseph W Cornish:

Residence: 1880 Des Moines{ XE "USA, Minnesota, Jackson, Des Moines:(43.6358° N, 95.0253° W):Cornish, Joseph W (1855-)" \f "Place" }^[286]
Age: 25; Occupation: Preacher; EnumerationDistrict: 122;
MarriedWithinYear: Y; MaritalStatus: Married; RelationToHead: Self

Children of Edna Alethea Morrison and Joseph W Cornish:

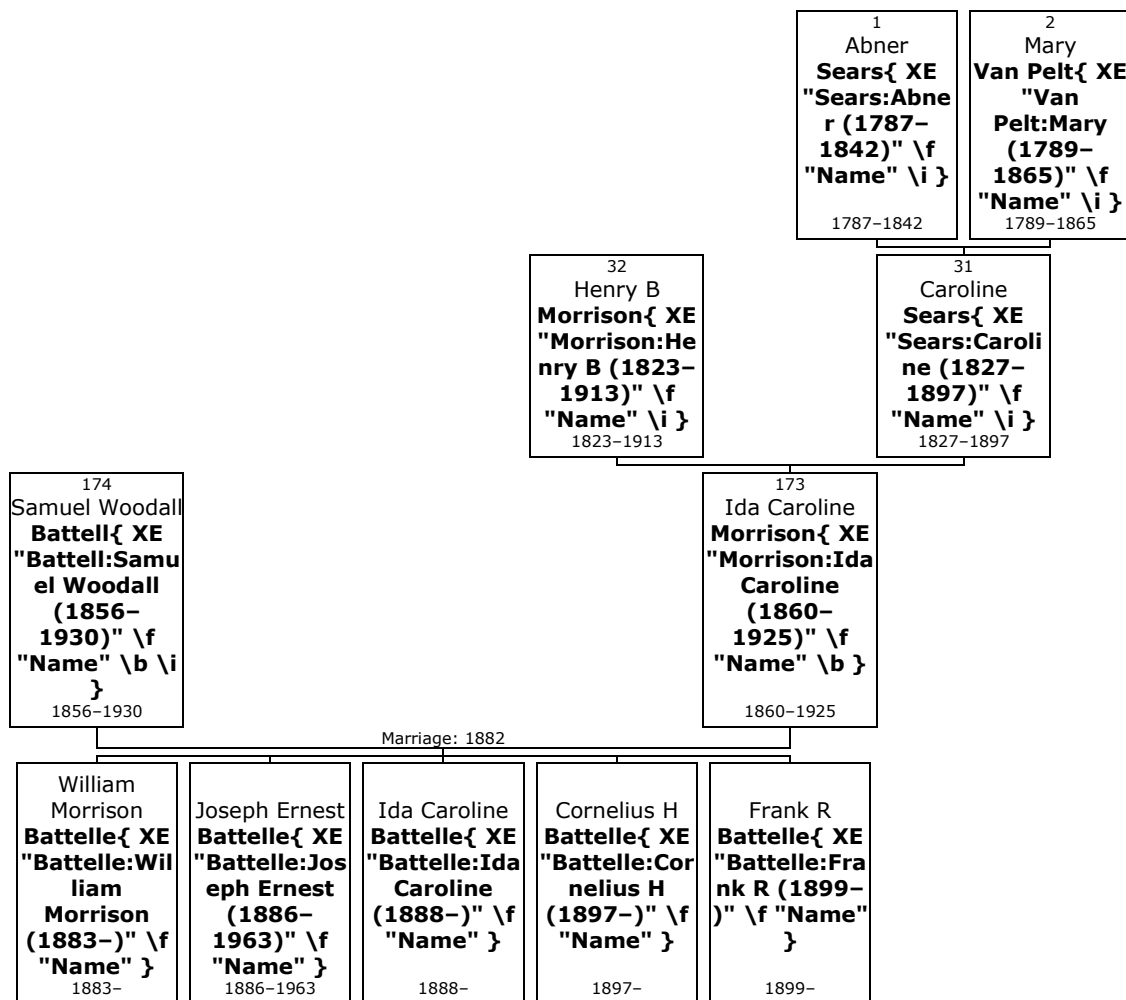
- f I. **Edna Belle⁷ Cornish**{ XE "Cornish:Edna Belle (1881-)" \f "Name" \b } was born on 13th February 1881.
- f II. **Carrie Josephine Cornish**{ XE "Cornish:Carrie Josephine (1883-)" \f "Name" \b } was born on 9th January 1883.
- m III. **Thomas Kynett Cornish**{ XE "Cornish:Thomas Kynett (1884-)" \f "Name" \b } was born on 14th March 1884.

Family of Julia Morrison and Franklin Roose{ TC "Julia Morrison and Franklin Roose" \I 3 \f C}



- 171.** **Julia Elizabeth⁶ Morrison**{ XE "Morrison:Julia Elizabeth (1858-)" \f "Name" \b } (*Caroline⁵ Sears, Abner⁴, Sergt Richard³, Silas²*) was born on Thursday, 21st October 1858. She was the daughter of Henry B Morrison{ XE "Morrison:Henry B (1823-1913)" \f "Name" \i } (32) and Caroline Sears{ XE "Sears:Caroline (1827-1897)" \f "Name" \i } (31).
- 172.** Julia Elizabeth married **Prof Franklin F Roose**{ XE "Roose:Franklin F (1854-)" \f "Name" \b \i } on Tuesday, 7th September 1880. They had no known children.
- Franklin F was born in Lincoln, Nebraska, USA,{ XE "USA, Nebraska, Lincoln:(41.052° N, 100.7452° W):Roose, Franklin F (1854-)" \f "Place" \i } in 1854.

Family of Ida Morrison and Samuel Battell{ TC "Ida Morrison and Samuel Battell" \I 3 \f C}



173. **Ida Caroline⁶ Morrison**{ XE "Morrison:Ida Caroline (1860–1925)" \f "Name" \b } (*Caroline⁵ Sears, Abner⁴, Sergt Richard³, Silas²*) was born on Tuesday, 18th September 1860.^[287] She was the daughter of Henry B Morrison{ XE "Morrison:Henry B (1823–1913)" \f "Name" \i } (32) and Caroline Sears{ XE "Sears:Caroline (1827–1897)" \f "Name" \i } (31).

Ida Caroline died in St Louis, Independent Cities, Missouri, USA,{ XE "USA, Missouri, Independent Cities, St Louis:(38.6277° N, 90.1995° W):Morrison, Ida Caroline (1860–1925)" \f "Place" } on 12th July 1925, at the age of 64.^[287] She was buried in Bel-Nor, St Louis{ XE "USA, Missouri, St Louis, Bel-Nor:(38.702° N, 90.3168° W):Morrison, Ida Caroline (1860–1925)" \f "Place" }.^[287]

174. Ida Caroline married **Samuel Woodall Battell**{ XE "Battell:Samuel Woodall (1856–1930)" \f "Name" \b \i } on Wednesday, 14th June 1882.^[287] They had five children: William (1883–), Joseph (1886–1963), Ida (1888–), Cornelius (1897–) and Frank (1899–).

Samuel Woodall was born in Quincy, Adams, Illinois,{ XE "USA, Illinois, Adams, Quincy:(39.9356° N, 91.4099° W):Battell, Samuel Woodall (1856–1930)" \f "Place" } in 1856.^[287] He reached 74 years of age and died in St Louis, Independent Cities, Missouri,{ XE "USA, Missouri, Independent Cities, St Louis:(38.6277° N, 90.1995° W):Battell, Samuel Woodall (1856–1930)" \f "Place" } on 13th March 1930.^[287] Samuel Woodall was buried in Bel-Nor, St Louis{ XE "USA, Missouri, St Louis, Bel-Nor:(38.702° N, 90.3168° W):Battell, Samuel Woodall (1856–1930)" \f "Place" }.^[287]

Children of Ida Caroline Morrison and Samuel Woodall Battell:

- m I. **William Morrison⁷ Battelle**{ XE "Battelle:William Morrison (1883–)" \f "Name" \b } was born on 17th November 1883.

²⁸⁷ Ancestry.com, U.S., Find A Grave Index, 1600s–Current (Provo, UT, USA, Ancestry.com Operations, Inc., 2012), Record for Ida Caroline Battell. <http://search.ancestry.com/cgi-bin/sse.dll?db=60525&h=30632995&indiv=try>.

- m II. **Joseph Ernest Battelle**{ XE "Battelle:Joseph Ernest (1886–1963)" \f "Name" \b } was born in Quincy, Adams, Illinois,{ XE "USA, Illinois, Adams, Quincy:(39.9356° N, 91.4099° W):Battelle, Joseph Ernest (1886–1963)" \f "Place" } on 4th September 1886.^[287] He died in St Louis, Independent Cities, Missouri,{ XE "USA, Missouri, Independent Cities, St Louis:(38.6277° N, 90.1995° W):Battelle, Joseph Ernest (1886–1963)" \f "Place" } on 10th April 1963, at the age of 76.^[287] Joseph Ernest was buried in Bel-Nor, St Louis{ XE "USA, Missouri, St Louis, Bel-Nor:(38.702° N, 90.3168° W):Battelle, Joseph Ernest (1886–1963)" \f "Place" }.^[287]
- Joseph Ernest married **Hannah Hattie W.P. Burkenkamp**{ XE "Burkenkamp:Hannah \"Hattie\" W.P." \f "Name" \b \i }.
- f III. **Ida Caroline Battelle**{ XE "Battelle:Ida Caroline (1888–)" \f "Name" \b } was born in 1888. d. inf.
- m IV. **Cornelius H Battelle**{ XE "Battelle:Cornelius H (1897–)" \f "Name" \b } was born on 18th January 1897.
- m V. **Frank R Battelle**{ XE "Battelle:Frank R (1899–)" \f "Name" \b } was born in 1899.

Bibliography{ TC "Bibliography" \f C}

"Ancestry Family Tree".

Ancestry.com and The Church of Jesus Christ of Latter-day Saints. *1880 United States Federal Census*. Provo, UT, USA: Ancestry.com Operations Inc, 2010.

Ancestry.com. *1830 United States Federal Census*. Provo, UT, USA: Ancestry.com Operations, Inc., 2010.

Ancestry.com. *1840 United States Federal Census*. Provo, UT, USA: Ancestry.com Operations, Inc., 2010.

Ancestry.com. *1850 United States Federal Census*. Provo, UT, USA: Ancestry.com Operations, Inc., 2009.

Ancestry.com. *1860 United States Federal Census*. Provo, UT, USA: Ancestry.com Operations, Inc., 2009.

Ancestry.com. *1870 United States Federal Census*. Provo, UT, USA: Ancestry.com Operations, Inc., 2009.

Ancestry.com. *1900 United States Federal Census*. Provo, UT, USA: Ancestry.com Operations Inc, 2004.

Ancestry.com. *1910 United States Federal Census*. Provo, UT, USA: Ancestry.com Operations Inc, 2006.

Ancestry.com. *1920 United States Federal Census*. Provo, UT, USA: Ancestry.com Operations Inc, 2010.

Ancestry.com. *1930 United States Federal Census*. Provo, UT, USA: Ancestry.com Operations Inc, 2002.

Ancestry.com. *1940 United States Federal Census*. Provo, UT, USA: Ancestry.com Operations, Inc., 2012.

Ancestry.com. *Illinois, County Marriages, 1800-1940*. Lehi, UT, USA: Ancestry.com Operations, Inc., 2016.

Ancestry.com. *Illinois, Deaths and Stillbirths Index, 1916-1947*. Provo, UT, USA: Ancestry.com Operations, Inc., 2011.

Ancestry.com. *Illinois, Marriage Index, 1860-1920*. Provo, UT, USA: Ancestry.com Operations, Inc., 2015.

Ancestry.com. *Indiana, Death Certificates, 1899-2011*. Provo, UT, USA: Ancestry.com Operations, Inc., 2015.

Ancestry.com. *Indiana, Marriages, 1810-2001*. Provo, UT, USA: Ancestry.com Operations, Inc., 2014.

Ancestry.com. *Iowa, Death Records, 1920-1940*. Lehi, UT, USA: Ancestry.com Operations, Inc., 2017.

Ancestry.com. *Iowa, Marriage Records, 1880-1937*. Provo, UT, USA: Ancestry.com Operations, Inc., 2014.

Ancestry.com. *Iowa, Select Deaths and Burials, 1850-1990*. Provo, UT, USA: Ancestry.com Operations, Inc, 2014.

Ancestry.com. *Iowa, Select Marriages, 1809-1992*. Provo, UT, USA: Ancestry.com Operations, Inc, 2014.

Ancestry.com. *Massachusetts, Death Records, 1841-1915*. Provo, UT, USA: Ancestry.com Operations, Inc., 2013.

Ancestry.com. *Massachusetts, Marriage Records, 1840-1915*. Provo, UT, USA: Ancestry.com Operations, Inc., 2013.

Ancestry.com. *Massachusetts, Town and Vital Records, 1620-1988*. Provo, UT, USA: Ancestry.com Operations, Inc., 2011.

Ancestry.com. *Michigan, Marriage Records, 1867-1952*. Provo, UT, USA: Ancestry.com Operations, Inc., 2015.

- Ancestry.com. *New York, County Marriages, 1847-1849; 1907-1936*. Lehi, UT, USA: Ancestry.com Operations, Inc., 2016.
- Ancestry.com. *New York, State Census, 1855*. Provo, UT, USA: Ancestry.com Operations, Inc., 2013.
- Ancestry.com. *New York, State Census, 1865*. Provo, UT, USA: Ancestry.com Operations, Inc., 2014.
- Ancestry.com. *New York, State Census, 1875*. Provo, UT, USA: Ancestry.com Operations, Inc., 2013.
- Ancestry.com. *New York, Town Clerks' Registers of Men Who Served in the Civil War, ca 1861-1865*. Provo, UT, USA: Ancestry.com Operations, Inc., 2011.
- Ancestry.com. *New York, Wills and Probate Records, 1659-1999*. Provo, UT, USA: Ancestry.com Operations, Inc., 2015.
- Ancestry.com. *North America, Family Histories, 1500-2000*. Provo, UT, USA: Ancestry.com Operations, Inc., 2016.
- Ancestry.com. *Ohio, County Marriages, 1774-1993*. Lehi, UT, USA: Ancestry.com Operations, Inc., 2016.
- Ancestry.com. *Pennsylvania, Death Certificates, 1906-1963*. Provo, UT, USA: Ancestry.com Operations, Inc., 2014.
- Ancestry.com. *Rhode Island, Vital Extracts, 1636-1899*. Provo, UT, USA: Ancestry.com Operations, Inc., 2014.
- Ancestry.com. *Savannah, Georgia Vital Records, 1803-1966*. Provo, UT, USA: Ancestry.com Operations, Inc., 2011.
- Ancestry.com. *Texas, Death Certificates, 1903-1982*. Provo, UT, USA: Ancestry.com Operations, Inc., 2013.
- Ancestry.com. *Texas, Death Certificates, 1903-1982*. Provo, UT, USA: Ancestry.com Operations, Inc., 2013.
- Ancestry.com. *Texas, Select County Marriage Index, 1837-1977*. Provo, UT, USA: Ancestry.com Operations, Inc., 2014.
- Ancestry.com. *U.S. National Homes for Disabled Volunteer Soldiers, 1866-1938*. Provo, UT, USA: Ancestry.com Operations Inc, 2007.
- Ancestry.com. *U.S., Find A Grave Index, 1600s-Current*. Provo, UT, USA: Ancestry.com Operations, Inc., 2012.
- Ancestry.com. *U.S., Find A Grave Index, 1600s-Current*. Provo, UT, USA: Ancestry.com Operations, Inc., 2012.
- Ancestry.com. *U.S., Find A Grave Index, 1600s-Current*. Provo, UT, USA: Ancestry.com Operations, Inc., 2012.
- Ancestry.com. *U.S., Find A Grave Index, 1600s-Current*. Provo, UT, USA: Ancestry.com Operations, Inc., 2012.
- Ancestry.com. *U.S., Find A Grave Index, 1600s-Current*. Provo, UT, USA: Ancestry.com Operations, Inc., 2012.
- Ancestry.com. *U.S., Newspaper Extractions from the Northeast, 1704-1930*. Provo, UT, USA: Ancestry.com Operations, Inc., 2014.
- Ancestry.com. *U.S., Social Security Applications and Claims Index, 1936-2007*. Provo, UT, USA: Ancestry.com Operations, Inc., 2015.
- Ancestry.com. *U.S., Social Security Applications and Claims Index, 1936-2007*. Provo, UT, USA: Ancestry.com Operations, Inc., 2015.
- Ancestry.com. *U.S., Sons of the American Revolution Membership Applications, 1889-1970*. Provo, UT, USA: Ancestry.com Operations, Inc., 2011.

- Ancestry.com. *U.S., World War I Draft Registration Cards, 1917-1918*. Provo, UT, USA: Ancestry.com Operations Inc, 2005.
- Ancestry.com. *U.S., World War II Draft Registration Cards, 1942*. Provo, UT, USA: Ancestry.com Operations, Inc., 2010.
- Ancestry.com. *Vermont, Death Records, 1909-2008*. Provo, UT, USA: Ancestry.com Operations, Inc., 2010.
- Ancestry.com. *Vermont, Marriage Records, 1909-2008*. Provo, UT, USA: Ancestry.com Operations, Inc., 2010.
- Ancestry.com. *Vermont, Vital Records, 1720-1908*. Provo, UT, USA: Ancestry.com Operations, Inc., 2013.
- Ancestry.com. *Web: Columbus, Ohio, Green Lawn Cemetery Index, 1780-2010*. Provo, UT, USA: Ancestry.com Operations, Inc., 2012.
- Ancestry.com. *Web: Illinois, Databases of Illinois Veterans Index, 1775-1995*. Provo, UT, USA: Ancestry.com Operations, Inc., 2015.
- Ancestry.com. *Web: Illinois, Find A Grave Index, 1809-2012*. Provo, UT, USA: Ancestry.com Operations, Inc., 2012.
- Dodd, Jordan, Liahona Research, comp. *Illinois Marriages, 1790-1860*. Provo, UT, USA: Ancestry.com Operations Inc, 2004.
- Dodd, Jordan, Liahona Research, comp. *Massachusetts, Marriages, 1633-1850*. Provo, UT, USA: Ancestry.com Operations Inc, 2005.
- Dodd, Jordan. *Illinois Marriages to 1850*. Provo, UT, USA: Ancestry.com Operations Inc, 1997.
- Edmund West, comp.. *Family Data Collection - Individual Records*. Provo, UT, USA: Ancestry.com Operations Inc, 2000.
- FamilySearch.org. *FamilySearch Family Tree*.
- Historical Data Systems, comp. *U.S., Civil War Soldier Records and Profiles, 1861-1865*. Provo, UT, USA: Ancestry.com Operations Inc, 2009.
- Historical Data Systems, comp.. *American Civil War Soldiers*. Provo, UT, USA: Ancestry.com Operations Inc, 1999.
- Jordan Dodd and Liahona Research, comp.. *Illinois, Marriage Index, 1851-1900*. Provo, UT, USA: Ancestry.com Operations Inc, 2005.
- National Archives and Records Administration. *U.S., Civil War Pension Index: General Index to Pension Files, 1861-1934*. Provo, UT, USA: Ancestry.com Operations Inc, 2000.

Index of Places{ TC "Index of Places" \f C}

Canada

Browne, Joseph (1797-).....102

Canada, Nova Scotia, Hants, Newport Corner

(44.9667° N, 63.9667° W)

Mumford, William N (1824-) 158

Canada, Nova Scotia, Hants, Newport Corner, perh

Mumford, Augustus (1855-).158

Mumford, Charlotte (1865-).158

Mumford, Lorena Belle (1862-

1864).....158

Mumford, Mary Estelle (1861-

1862).....158

Mumford, William (1858-) ...158

Canada, Ontario, Ottawa

(45.4218° N, 75.6912° W)

Bell, Thomas (1820-).....102

England, Cheshire, Macclesfield

(53.25° N, 2.1167° W)

Mills, Sarah A (1833-1902)..135

Germany, Hessen, Darmstadt

(49.8706° N, 8.6494° E)

Bornheimer, Catherine (1833-

1908).....131

Ireland

(53.1803° N, 8.1534° W)

Moore, John Thomas (1812-)

.....110

USA, Arkansas, Clark, Arkadelphia

(34.1209° N, 93.0538° W)

Sears, Leah Faye (1887-1983)

.....188

USA, California, Los Angeles

(34.1847° N, 118.262° W)

Tubbs, Seth Barton Robert

(1830-1917).....122

USA, California, Los Angeles, Los Angeles

(34.0522° N, 118.2437° W)

Tubbs, Seth Barton Robert

(1830-1917).....122

USA, California, Los Angeles, Sawtell

Tubbs, Seth Barton Robert

(1830-1917).....122

USA, California, San Francisco

(37.7933° N, 122.5548° W)

Vidito, Harvey (1825-1857). 100

USA, Colorado, Denver, Denver

(39.7392° N, 104.9841° W)

Davis, Hiram Frederic (1880-

1962).....162, 163

USA, Connecticut

(41.5735° N, 72.7383° W)

Ash, Mary (1782-1845).....23

Barnum, Daniel T (1797-1880)

.....97

USA, Connecticut, Litchfield

(41.7948° N, 73.2446° W)

Bissell, Annis (1782-1841)25

USA, Connecticut, New London, Groton

(41.3501° N, 72.0784° W)

Gray, John (1803-1889).....147

USA, Georgia, Chatham, Savannah

(32.0833° N, 81.1° W)

Sears, Barnabas (1790-1820)

.....66, 71

USA, Idaho, Cassia, Burley

(42.5357° N, 113.7928° W)

Beckman, George Washington

(1859-1913).....156

USA, Illinois

(39.7333° N, 88.5° W)

Davis, John (1800-1886).....32

Davis, William H (1836-1917)

.....33, 159

Hart, Jessie Beulah (1900-1981)

.....191

Moore, Bessie E (1875-).....181

Moore, Charles Augustus (1878-)

.....182

Moore, Della S "Dellie" (1883-)

.....183

Moore, Newton S (1874-)....181

Moore, Queen S (1881-1969)

.....182

Morrison, Mary Angeline (1849-)

.....51, 199

Priest, Edgar (1874-1945)...183

Sears, Alexander (1842-1908)

.....40, 177

Sears, Charlotte (1809-1873)32

Sears, John Michael (1839-1883)

.....122

Waddell, Harry Kerr (1889-) 189

Wills, Lafayette (1876-1949)195

USA, Illinois, Adams

(39.9859° N, 91.1946° W)

Coultas, Thomas J (1853-1880)

.....200

USA, Illinois, Adams, Quincy

(39.9356° N, 91.4099° W)

Battell, Samuel Woodall (1856-

1930).....203

Battelle, Joseph Ernest (1886-

1963).....204

USA, Illinois, Alexander, Cairo

(37.0053° N, 89.1765° W)

Sears, Carrie Belle (1866-1867)

.....49

USA, Illinois, Brown

(39.9544° N, 90.7505° W)

Beckmann, Simon Peter (1823-

1873).....155

Davis, John (1800-1886)32

Davis, Rachel (1827-1902)..155

Sears, Charlotte (1809-1873)32

USA, Illinois, Brown, Buckhorn

(39.9367° N, 90.8358° W)

Beckmann, Addie (1862-1954)

.....156

USA, Illinois, Brown, Fargo

Sears, Charlotte (1809-1873)32

USA, Illinois, Brown, Fargo Cemetery

Davis, William H (1836-1917)

.....159

USA, Illinois, Brown, Lee

(41.7951° N, 88.9409° W)

Beckman, George Washington

(1859-1913).....156

Davis, John (1800-1886)32

Davis, Rachel (1827-1902)..155

Davis, William H (1836-1917)

.....33, 159

Sears, Charlotte (1809-1873)32

USA, Illinois, Brown, Mount Sterling

(39.9873° N, 90.7635° W)

Beckman, George Washington

(1859-1913).....155

Beckmann, Addie (1862-1954)

.....156

Davis, Hiram Sears (1844-1932)

.....33, 161

USA, Illinois, Bureau, Fairfield

(38.3789° N, 88.3598° W)

Sears, Rosa Maria "Rosy" (1853-

).....49, 197

**USA, Illinois, Christian,
Taylorville**

(39.5489° N, 89.2946° W)
Priest, Edgar (1874–1945)... 183

USA, Illinois, Clinton, perh

Morrison, Blanche (1871-) .. 199
Morrison, Emily Estelle (1869-)
..... 199
Morrison, Henry Baker (1868-)
..... 198
Morrison, Lillian (1866-) 198
Morrison, Mabel Frances (1880-)
..... 199
Morrison, Sylvanus Shurtleff
(1874-) 199

USA, Illinois, Cook, Elgin

(42.0333° N, 88.2508° W)
Adams, Sarah (1808–1884) .104
Sears, George W (1837–1910)
..... 104
Wood, Martha Ellen (1843–1914)
..... 105

**USA, Illinois, De Witt,
Clinton**

(40.1537° N, 88.9645° W)
Shurtliff, Margaret J "Maggie"
(1844-) 198

USA, Illinois, Effingham

(39.0645° N, 88.5883° W)
Sears, Nellie Powers (1870-) .49

**USA, Illinois, Effingham,
Watson**

(39.0253° N, 88.5698° W)
Rhinehart, Erastus N (1847-)
..... 197

**USA, Illinois, Fayette,
Vandalia**

(38.9606° N, 89.0937° W)
Sears, Carrie Belle (1866–1867)
..... 49

**USA, Illinois, Franklin,
Benton**

(37.9967° N, 88.92° W)
Sears, Emily Jane (1852–1852)
..... 48

**USA, Illinois, Greene,
White Hall**

(39.437° N, 90.4032° W)
Prentice, Mary Henderson (1832–
1900) 48
Sears, Hiram DD (1825–1911)48

**USA, Illinois, Jackson,
Carbondale**

(37.7273° N, 89.2168° W)
Sears, Lizzie Ann (1855–1876)
..... 49
Sears, Rosa Maria "Rosy" (1853–
)..... 197

**USA, Illinois, Jefferson,
Elgin**

Sears, Cordelia Maria (1832–
1913) 120

USA, Illinois, Jersey

(39.0884° N, 90.3584° W)
Scribner, Clarence Madison
(1873–1949) 186
Sears, Mabel Olive (1882–1969)
..... 188

**USA, Illinois, Jersey,
Jersey**

(41.0192° N, 89.9276° W)
Penton, Mary Etta (1859–1944)
..... 185
Sears, Charles Willard (1854–
1924) 185
Sears, Leah Faye (1887–1983)
..... 189

**USA, Illinois, Jersey,
Jerseyville**

(39.12° N, 90.3285° W)
Everts, Hugh Oscar (1879–1959)
..... 188
Penton, Mary Etta (1859–1944)
..... 185
Scribner, Clarence Madison
(1873–1949) 186
Sears, Charles Willard (1854–
1924) 41, 184
Sears, Daisy May (1878–1955)
..... 186
Sears, Leah Faye (1887–1983)
..... 188, 189
Sears, Mabel Olive (1882–1969)
..... 188

**USA, Illinois, Jersey,
Jerseyville, Oakgrove
Cemetery**

Sears, Charles Willard (1854–
1924) 184
Sears, Daisy May (1878–1955)
..... 186

**USA, Illinois, Jersey,
Mississippi**

(39.0411° N, 90.3106° W)
Penton, Mary Etta (1859–1944)
..... 185
Sears, Charles Willard (1854–
1924) 185
Sears, Elmer Clarence (1880–
1954) 187
Sears, Leah Faye (1887–1983)
..... 188
Sears, Mabel Olive (1882–1969)
..... 188

USA, Illinois, Kane

(41.9356° N, 88.4324° W)
Sears, Richard III (1801–1852)
..... 125

**USA, Illinois, Kane,
Algonquin**

(42.1499° N, 88.3238° W)
Sears, John Michael (1839–1883)
.....123

**USA, Illinois, Kane,
Dundee**

(42.0976° N, 88.2786° W)
Howard, Almira (1809–1848)119
Sears, George Evernett (1848-)
.....124
Sears, Lois Ann (1836–1846)122
Sears, Richard III (1801–1852)
..... 23, 118

USA, Illinois, Kane, Elgin

(42.0373° N, 88.2812° W)
Adams, Sarah (1808–1884) .103
Sears, George W (1837–1910)
.....104

**USA, Illinois, Kane, Elgin,
Ward 2**

Sears, George W (1837–1910)
.....104

**USA, Illinois, Kane, Elgin,
Ward 3**

Sears, George W (1837–1910)
.....104

**USA, Illinois, Livingston,
Chatsworth**

(40.7537° N, 88.292° W)
Witherell, Mary (1813-) 93

**USA, Illinois, Livingston,
Sullivan**

(39.5995° N, 88.6079° W)
Sears, Lizzie Ann (1855–1876)
..... 49

**USA, Illinois, Macon,
Decatur**

(39.8403° N, 88.9548° W)
Moore, Queen S (1881–1969)
..... 182, 183

**USA, Illinois, Macoupin,
Barr, Bar Store**

Wills, Lafayette (1876–1949)195

**USA, Illinois, Macoupin,
Hettick**

(39.3551° N, 90.0371° W)
Wills, Clayton (1840–1926) ..194
Wills, Joseph H (1878-)195

**USA, Illinois, Madison,
Alton**

(38.8906° N, 90.1843° W)
Sears, Elmer Clarence (1880–
1954)187

**USA, Illinois, Madison,
Alton, Ward 1**
Sears, Daisy May (1878-1955)
.....186
Sears, Elmer Clarence (1880-
1954).....187

**USA, Illinois, Madison,
Godfrey**
(38.9556° N, 90.1868° W)
Sears, Willard Prentice (1859-)
..... 49

**USA, Illinois, Madison,
Wood River**
(38.8612° N, 90.0976° W)
Sears, Daisy May (1878-1955)
.....186

**USA, Illinois, Madison,
Wood River, Wood
River Twp Hospital**
Scribner, Clarence Madison
(1873-1949).....186

**USA, Illinois, Mason,
Topeka**
(40.3303° N, 89.9312° W)
Eckard, Elmer Moses (1872-
1918).....179

**USA, Illinois, Massac,
Metropolis**
(37.1512° N, 88.732° W)
Oakes, Mary Frances (1846-
1925).....177

USA, Illinois, McHenry
(42.3243° N, 88.4519° W)
Sears, George W (1837-1910)
.....105

**USA, Illinois, McHenry,
Marengo**
(42.2486° N, 88.6084° W)
Wood, Martha Ellen (1843-1914)
.....105

USA, Illinois, McLean
(40.4947° N, 88.8454° W)
Morrison, Mary Angeline (1849-)
.....200

**USA, Illinois,
Montgomery, Litchfield**
(39.1753° N, 89.6543° W)
Stratton, Katie Angeline.....195
Wills, Lafayette (1876-1949)195

USA, Illinois, Morgan
(39.7146° N, 90.1981° W)
Sears, Estella O "Stella" (1871-
1943).....178

**USA, Illinois, Morgan,
Chapin**
(39.7659° N, 90.399° W)

Patterson, Anna Adella (1858-)
.....196

**USA, Illinois, Peoria,
Peoria**
(40.6937° N, 89.589° W)
Eckard, Elmer Moses (1872-
1918).....179
Sears, Agnes Lillian (1875-1918)
.....178

**USA, Illinois, Peoria,
Peoria, Ward 2**
Oakes, Mary Frances (1846-
1925).....177
Sears, Agnes Lillian (1875-1918)
.....178

USA, Illinois, perh
Wills, Christopher (1874-1880)
.....195
Wills, Clayton (1870-).....195
Wills, Fannie G (1866-).....194
Wills, Joseph H (1878-).....195
Wills, Philander (1872-).....195
Wills, Richard M (1865-).....194
Wills, Vesta C (1868-).....194

USA, Illinois, Piketon
Morrison, Elizabeth Jane (1824-
1914).....40

**USA, Illinois, Sangamon,
Springfield, Ward 5**
Moore, Queen S (1881-1969)
.....182

**USA, Illinois, Sangamon,
Woodside**
(39.72° N, 89.6789° W)
Moore, Queen S (1881-1969)
.....182

USA, Illinois, Scott
(39.6479° N, 90.4783° W)
Coultas, Thomas J (1853-1880)
.....200
Moore, Bessie E (1875-).....182
Moore, Charles Augustus (1878-)
.....182
Moore, Eden (1847-).....181
Moore, Newton S (1874-).....181
Morrison, Elizabeth Jane (1824-
1914).....40
Morrison, Mary Angeline (1849-)
.....51, 199
Sears, Genette (1844-).....193
Sears, Harry Lincoln (1865-
1910).....42, 190
Sears, John Ogden (1901-1976)
.....191
Sears, Mary Angeline (1846-
1928).....180, 181
Sears, Vesta Cordelia (1848-
1850).....45
Sears, Washington (1816-1891)
.....39
Van Pelt, Mary (1789-1865) ..12
Wills, Christopher (1874-1880)
.....195

Wills, Clayton (1840-1926).. 194
Wills, Clayton (1870-).....195
Wills, Fannie G (1866-).....194
Wills, Joseph H (1878-).....196
Wills, Lafayette (1876-1949)195
Wills, Philander (1872-).....195
Wills, Richard M (1865-).....194
Wills, Vesta C (1868-).....194

USA, Illinois, Scott, Bluffs
(39.752° N, 90.5351° W)
Hart, Jessie Beulah (1900-1981)
.....191
Oakes, Mary Frances (1846-
1925).....177
Sears, Abner (1787-1842).....12
Sears, Alexander (1842-1908)
.....177
Sears, Hattie O (1869-1871)178
Sears, John Ogden (1901-1976)
.....191
Sears, Richard Van Rensselaer
(1819-1884).....44
Sears, Washington (1816-1891)
.....39
Sears, William Edward (1866-
1891).....177

**USA, Illinois, Scott, Bluffs,
near**
Sears, Mary Angeline (1846-
1928).....181

**USA, Illinois, Scott, Bluffs,
Sears Cemetery**
Wills, Clayton (1840-1926).. 194

USA, Illinois, Scott, Exeter
(39.7209° N, 90.4965° W)
Pike, Hannah (1825-).....45

USA, Illinois, Scott, Naples
(39.7573° N, 90.6074° W)
Oakes, Mary Frances (1846-
1925).....177
Sears, Agnes Lillian (1875-1918)
.....178
Sears, Alexander (1842-1908)
.....40, 176, 177
Sears, Augustus W (1851-1870)
.....41
Sears, Caroline (1827-1897) .51
Sears, Charles Willard (1854-
1924).....41, 184
Sears, Clark (1844-1845).....40
Sears, Cyrus (1857-1857).....41
Sears, Daisy May (1878-1955)
.....186
Sears, Elmer Clarence (1880-
1954).....187
Sears, Estella O "Stella" (1871-
1943).....178
Sears, Fannie L (1861-1871) .41
Sears, Hannah Jane (1818-1879)
.....43
Sears, Harry Lincoln (1865-
1910).....41, 190
Sears, Harvey (1869-1874)...42
Sears, Hattie O (1869-1871)178
Sears, Hiram (1852-)45, 196

- Sears, Mabel Olive (1882–1969) 188
 Sears, Mary Angeline (1846–1928)40, 180
 Sears, Philander (1850–)..... 45
 Sears, Vesta Caroline "Carrie" (1858–1864) 41
 Sears, Vesta Cordelia (1848–1850) 45
 Sears, Washington (1816–1891) 39
 Sears, Wellington (1848–1862) 41
 Sears, William Edward (1866–1891) 177
 Sears, William L (1863–1865) 41
- USA, Illinois, Scott, Naples, near**
 Sears, Abner (1787–1842)12, 17
- USA, Illinois, Scott, Naples, perh**
 Killpatrick, Eliza Caroline (1855–1882) 43
 Killpatrick, Frank Ely (1857–1883) 43
 Killpatrick, Hiram David (1859–)43, 192
 Killpatrick, James Addison (1849–)43, 191
 Killpatrick, Mary Malvina (1845–1852) 43
 Killpatrick, Matilda Jane (1851–1852) 43
 Killpatrick, Thomas William (1847–1852) 43
 Killpatrick, Vesta Angeline (1853–) 43
 Morrison, Alexander Franklin (1844–) 51, 198
- USA, Illinois, Scott, Oxville**
 (39.7047° N, 90.5611° W)
 Moore, Bessie E (1875–) 182
 Moore, Charles Augustus (1878–) 182
 Moore, Della S "Dellie" (1883–) 183
 Moore, Eden (1847–) 181
 Moore, Newton S (1874–).... 181
 Morrison, Elizabeth Jane (1824–1914) 40
 Sears, Daniel Abner (1842–1862) 45
 Sears, Genette (1844–)..45, 193
 Sears, George Washington (1846–1847) 45
 Sears, Mary Angeline (1846–1928) 181
 Sears, Richard Van Rensellaer (1819–1884) 13, 44
 Sears, Washington (1816–1891) 13, 39, 40
 Wills, Clayton (1840–1926) . 194
- USA, Illinois, Scott, Road Dist #7**
 Sears, Mary Angeline (1846–1928)40, 180
- USA, Illinois, Scott, Township 15 Range 13**
 Sears, Charles Willard (1854–1924) 185
 Sears, Vesta Caroline "Carrie" (1858–1864) 41
 Sears, Washington (1816–1891) 39
- USA, Illinois, Scott, Winchester**
 (39.6298° N, 90.4562° W)
 Killpatrick, James G (1820–).. 43
 Penton, Mary Etta (1859–1944) 185
 Sears, Charles Willard (1854–1924) 185
 Sears, Hannah Jane (1818–1879) 42
- USA, Illinois, Shelby, Shelbyville**
 (39.4064° N, 88.7901° W)
 Sears, Carlie C (1845–1915) 145
- USA, Illinois, Tazewell, Pekin**
 (40.5675° N, 89.6407° W)
 Eckard, Elmer Moses (1872–1918) 179
 Sears, Agnes Lillian (1875–1918) 178
- USA, Illinois, Whiteside, Fulton, Ward 2**
 Sears, Leah Faye (1887–1983) 188
- USA, Illinois, Whiteside, Mount Pleasant**
 Davis, John (1800–1886) 32
 Sears, Charlotte (1809–1873)12, 32
- USA, Illinois, Winnebago, Cherry Valley**
 (42.2348° N, 88.949° W)
 Sears, Angeline (1810–1813) 13
- USA, Illinois, Winnebago, Rockford**
 (42.2711° N, 89.094° W)
 Wood, Martha Ellen (1843–1914) 105
- USA, Indiana**
 (39.775° N, 85.5584° W)
 Farmer, John Wesley (1833–) 165
- USA, Indiana, Carroll**
 (40.5839° N, 86.5646° W)
 Gwinn, Diantha Margaret (1860–1942)169
- USA, Indiana, Howard, Kokomo**
 (40.4864° N, 86.1336° W)
 Gwinn, Diantha Margaret (1860–1942)169
- USA, Indiana, Vigo, Terre Haute**
 (39.4667° N, 87.4139° W)
 Farmer, Charlotte Missouri (1846–) 35, 171
- USA, Iowa**
 (42.05° N, 92.2° W)
 Sears, Caroline (1827–1897). 50
 Wilkinson, Sarah M (1875–) .136
- USA, Iowa, Jasper, Newton**
 (41.6997° N, 93.048° W)
 Farmer, Ida May (1861–1929)167
- USA, Iowa, Page, Coin**
 (40.6544° N, 95.2303° W)
 Sears, Caroline (1827–1897) 14, 50
- USA, Iowa, Page, Shenandoah**
 (40.7656° N, 95.3722° W)
 Morrison, Henry B (1823–1913) 51
- USA, Iowa, Pocahontas, Rolfe**
 (42.8127° N, 94.5269° W)
 Sears, Cordelia Maria (1832–1913)120
- USA, Iowa, Poweshiek**
 (41.6945° N, 92.5319° W)
 Farmer, Julia Elizabeth (1841–)170
 --Farmer, Mary Louisa (1840–1899)167
- USA, Iowa, Poweshiek, Montezuma**
 (41.5858° N, 92.5274° W)
 Farmer, Abner Sears (1848–1886)173
 Farmer, Henry L (1809–1883) 35
 Farmer, Lewis W (1836–1897)166
 Sears, Diantha L (1812–1880)35
- USA, Iowa, Poweshiek, Pleasant**
 (40.6328° N, 92.9256° W)
 Farmer, Charles Edward (1870–)167
 Farmer, Clara A (1866–)167

Farmer, Ida May (1861-1929)
.....167
Farmer, James Jackson (1863-)
.....167
Farmer, Lewis W (1836-1897)
.....166
--Farmer, Mary Louisa (1840-
1899).....167
Farmer, Nellie J (1872-).....168

**USA, Iowa, Poweshiek,
Pleasant Twp**

(40.6328° N, 92.9256° W)
Farmer, Elmira C (1859-1909)
.....167
Farmer, Henry L (1809-1883) 35
Farmer, Lewis W (1836-1897)
.....35, 166
--Farmer, Mary Louisa (1840-
1899).....167
Sears, Diantha L (1812-1880)
.....13, 34

**USA, Iowa, Poweshiek,
Union**

(42.2457° N, 93.065° W)
Farmer, Lewis W (1836-1897)
.....166

USA, Iowa, Sac, Eureka

(40.7656° N, 95.8375° W)
Sears, John Michael (1839-1883)
.....123

USA, Iowa, Sac, Schaller

(42.4997° N, 95.293° W)
Sears, John Michael (1839-1883)
.....122

**USA, Iowa, Scott,
Davenport**

(41.5236° N, 90.5776° W)
Peck, Washington Freeman
(1841-1891).....144
Purdy, Maria Bissell (1840-1914)
.....143, 144

**USA, Iowa, Winneshiek,
Fort Atkinson**

(43.1433° N, 91.9327° W)
Sears, Cordelia Maria (1832-
1913).....120

**USA, Kansas, Barton,
Eureka**

(37.8179° N, 96.2934° W)
Sears, Duke Percival (1881-
1952).....179

**USA, Kansas, Cherokee,
Galena**

(37.0759° N, 94.6397° W)
Davis, Charlotte "Lottie" (1877-)
.....162
Davis, Hiram Frederic (1880-
1962).....162
Davis, Hiram Sears (1844-1932)
.....161, 162

Davis, Lena (1878-).....162
Davis, Lulu (1882-1920).....163
Davis, William Arthur "Arthur"
(1884-).....163
Hahn, Nancy Ellen (1852-1929)
.....162
Hart, Lillie D (1887-1958) ... 163

USA, Kansas, Marion

(38.3616° N, 97.0977° W)
Sears, Mary Catharine "Kate"
(1834-1917).....120, 121

**USA, Kansas, Marion,
Marion**

(38.3483° N, 97.0169° W)
Sears, Mary Catharine "Kate"
(1834-1917).....122

USA, Kansas, Reno

(37.9606° N, 98.0895° W)
Stevens, Otho Robert (1879-
1940).....172

**USA, Maryland,
Washington,
Hagerstown**

(39.6418° N, 77.72° W)
Shadders, Elizabeth (1801-
1872).....96

USA, Massachusetts

(42.1562° N, 71.5662° W)
Amadon, Anna Jane "Jennie"
(1857-1926).....81
Estey, Olive M (1843-1928)...80
Sears, Abner (1787-1842)11, 17
Sears, Mariah T (1836-).....74
Sears, Sally (1784-).....17, 29
Sears, Silas (1781-1830) 17, 27

**USA, Massachusetts,
Barnstable, Harwich**

(41.6862° N, 70.0758° W)
Sears, Silas (1719/20-1780)..56

**USA, Massachusetts,
Barnstable, Harwich,
perh**

Sears, Phebe (1749-1825) ...56,
59

**USA, Massachusetts,
Barnstable, Yarmouth**

(41.7057° N, 70.2286° W)
Sears, Silas (1719/20-1780)..55

**USA, Massachusetts,
Barnstable, Yarmouth,
perh**

Buck, Deborah (1716-).....56

**USA, Massachusetts,
Berkshire, Adams**

(42.6243° N, 73.1176° W)
Sears, Barnabas (1819-1898)90

**USA, Massachusetts,
Berkshire, North
Adams**

(42.7009° N, 73.1087° W)
Sears, Barnabas (1819-1898)90

**USA, Massachusetts,
Essex County,
Newbury**

(42.7802° N, 70.8638° W)
Estey, Olive M (1843-1928)...80
Sears, Henry Barnabas (1842-
1912).....80

**USA, Massachusetts,
Franklin, Leverett**

(42.452° N, 72.5015° W)
Field, Julia Ann (1811-1893) .76
Sears, Nathan (1807-1878)...76

**USA, Massachusetts,
Franklin, Leverett,
perh**

Sears, Erastus Field (1845-1855)
.....76

**USA, Massachusetts,
Franklin, Orange**

(42.5904° N, 72.3098° W)
Sears, Franklin P (1852-1914)
.....81
Sears, Henry Barnabas (1842-
1912).....80

**USA, Massachusetts,
Franklin, Shutesbury**

(42.4565° N, 72.4098° W)
Sears, Henry Barnabas (1842-
1912).....80

**USA, Massachusetts,
Hampden, Monson**

(42.1043° N, 72.319° W)
Sears, Clarence L (1857-1885)
.....81

**USA, Massachusetts,
Hampden, Palmer**

(42.1584° N, 72.3287° W)
Sears, Franklin P (1852-1914)
.....81

**USA, Massachusetts,
Hampshire County,
Greenwich**

(42.3351° N, 72.2699° W)
Blackmer, Thankful (1760-1819)
.....66

**USA, Massachusetts,
Hampshire County,
Prescott**

(42.4652° N, 72.3667° W)
Sears, Henry Barnabas (1842-
1912).....79

**USA, Massachusetts,
Hampshire County,
Ware**

(42.2598° N, 72.2398° W)
Sears, Mary Augustina (1831-1834) 74

**USA, Massachusetts,
Hampshire, Amherst**

(42.3804° N, 72.5232° W)
Blackmer, Thankful (1760-1819) 66
Edwards, Mary J (1852-1932) 72
Field, Julia Ann (1811-1893) . 76
Ingram, Sophia Foster (1821-1871) 72
Jenks, Marietta (1818-1864) . 79
Sears, Arthur (1845-1864).... 80
Sears, Barnabas (1765-1850) 56, 65
Sears, Charles Oliver (1819-1900) 72
Sears, Clarence L (1857-1885) 81
Sears, Elizabeth Emily (1843-1913) 76
Sears, Erastus Field (1845-1855) 76
Sears, Franklin P (1852-1914) 80, 81
Sears, John (1773-1852) 16, 19
Sears, Nathan (1807-1878).. 67, 76
Sears, Orange (1776-1854) . 17, 24
Sears, Ruth (1791-1848) 66
Sears, Sardis (1809-1861) ... 67, 77
Sears, Sophronia (1848-)..... 80

**USA, Massachusetts,
Hampshire, Amherst,
perh**

Edwards, Mary J (1852-1932) 72
Sears, Polly (1778-) 17, 26

**USA, Massachusetts,
Hampshire, Greenwich**

(42.3351° N, 72.2699° W)
Sears, Eli (1798-1841) 66
Sears, Sardis (1809-1861) ... 67, 76
Sears, Silas (1719/20-1780) . 55

**USA, Massachusetts,
Hampshire, Hadley**

(42.3418° N, 72.5884° W)
Sears, Charles Oliver (1819-1900) 72

**USA, Massachusetts,
Hampshire, North
Amherst**

(42.4104° N, 72.5309° W)
Sears, Arthur (1845-1864).... 80

**USA, Massachusetts,
Hampshire,
Northampton**

(42.3251° N, 72.6412° W)
Phelps, Asahel (1780-1826) .. 84
Phelps, Asahel (1803-1804) .. 84
Phelps, Joseph Edmund (1805-1895) 84
Sears, Polly (1774-1844)..... 82

**USA, Massachusetts,
Hampshire, Pelham**

(42.3932° N, 72.4037° W)
Hinds, Hannah Lovering (1796-) 74
Sears, Barnabas (1790-1820) 72
Sears, Polly (1774-1844)..... 84

**USA, Massachusetts,
Hampshire, Pelham,
perh**

Gray, Mary "Polly" (1797-).... 72

**USA, Massachusetts,
Hampshire, Prescott**

(42.4652° N, 72.3667° W)
Sears, Mary Augustina (1831-1834) 74
Sears, Sarah Ann (1828-1872) 74

**USA, Massachusetts,
Middlesex, Tewksbury**

(42.6107° N, 71.2342° W)
Sears, Barnabas (1819-1898) 89

**USA, Massachusetts,
Worcester, Barre**

(42.4229° N, 72.1051° W)
Sears, Alonzo (1808-1878) ... 89
Sears, Arethusa (1816-1886) 89
Sears, Ashbel (1801-1880) ... 88
Sears, Barnabas (1777-1838) 63, 85, 88
Sears, Barnabas (1819-1898) 89, 90
Sears, Caroline H (1831-1901) 90
Sears, Elisha (1748-1820) 62
Sears, Enos (1806-1876)..... 89
Sears, Franklin (1785-1869) 63, 95
Sears, Hannah (1756-1842) . 56, 62
Sears, Hannah (1785-).... 63, 94
Sears, Lydia (1781-) 63, 91
Sears, Mary (1810-1825)..... 89
Sears, Mercy (1783-1853) 63, 93
Sears, Polly (1774-1844) . 63, 82
Sears, Sumner (1804-1877) 88, 89
Sears, Thankful (1779-) .. 63, 91
Smith, Charles S (1821-)..... 90
Vokes, Asenath (1803-1887). 89
Witherell, Abigail (1782-1860) 88

**USA, Massachusetts,
Worcester, Barre, perh**

Vokes, Asenath (1803-1887) 89
Witherell, Asher (1781-)..... 93

**USA, Massachusetts,
Worcester, Hardwick**

(42.3501° N, 72.1995° W)
Lee, Abner (1722-) 57
Sears, Abigail (1821-) 90
Sears, Alonzo (1808-1878) ... 89
Sears, Barnabas (1765-1850) 56, 65
Sears, Barnabas (1777-1838) 63, 85
Sears, Barnabas (1790-1820) 66, 71
Sears, Elisha (1748-1820) 62
Sears, Hannah (1756-1842).. 62
Sears, Nathan (1807-1878) . 67, 75
Sears, Rhoda "Rosa" (1794-1871) 66
Sears, Richard (1748-1814) . 15, 16, 56
Sears, Ruth (1791-1848)..... 66
Sears, Simeon (1803-1878) . 66, 73
Sears, Thankful (1796-1879) 66
Witherell, Abigail (1782-1860) 88

**USA, Massachusetts,
Worcester, Hardwick,
perh**

Lee, Mary (1748-1790) ... 16, 57
Merrick, Sarah (1726-)..... 57
Sears, Abigail (1821-) 90
Sears, Deborah (1758-) .. 56, 64
Sears, Hannah (1756-1842) . 56, 62
Sears, Idella (1848-1910) 80
Sears, Rosanna "Rosa" (1832-1908) 78

**USA, Massachusetts,
Worcester, New
Braintree**

(42.3168° N, 72.1259° W)
Sears, Alonzo (1808-1878) ... 89

**USA, Massachusetts,
Worcester, Petersham**

(42.4876° N, 72.187° W)
Sears, Alonzo (1808-1878) ... 89

USA, Michigan

(44.5917° N, 85.025° W)
Sears, George A (1862-1916) 135

**USA, Michigan, Hillsdale,
Reading**

(41.8395° N, 84.748° W)
Sears, Darius Martin (1842-1843) 123
Sears, Henry Bela (1844-1923) 123

USA, Michigan, Hillsdale, Reading Twp
(41.8395° N, 84.748° W)
Sears, John Michael (1839–1883)
.....122

USA, Michigan, Lenawee County, Adrian
(41.8976° N, 84.0372° W)
Sears, George A (1862–1916)
.....135

USA, Michigan, Lenawee, Adrian
(41.8976° N, 84.0372° W)
Mills, Sarah A (1833–1902)..135
Sears, George A (1862–1916)
..... 135, 136
Sears, Walter Scott (1823–1895)
..... 24, 134

USA, Michigan, Lenawee, Adrian, perh
Sears, Mary L (1868–1938)..136
Sears, Walter E (1859–1859)135

USA, Michigan, Lenawee, Adrian, Ward 2
Sears, George A (1862–1916)
.....135

USA, Michigan, Lenawee, Adrian, Ward 3
Sears, George A (1862–1916)
.....136

USA, Michigan, Macomb, Shelby
(42.6709° N, 83.033° W)
Sears, Sally Maria (1808–1826)
..... 28, 148

USA, Minnesota, Hennepin, Minneapolis
(44.98° N, 93.2638° W)
Phelps, Joseph Edmund (1805–1895)..... 84

USA, Minnesota, Jackson, Des Moines
(43.6358° N, 95.0253° W)
Cornish, Joseph W (1855–) ..201
Morrison, Edna Alethea (1857–)
.....201

USA, Minnesota, Stearns, Maine Prairie
(45.3621° N, 94.2832° W)
Beckman, George Washington (1859–1913).....156
Beckmann, Simon Peter (1823–1873).....155

USA, Missouri, Cedar, Box
Beckmann, Addie (1862–1954)
.....156

USA, Missouri, Cedar, Box Township
Beckmann, Addie (1862–1954)
..... 156

USA, Missouri, Cedar, El Dorado Springs
(37.877° N, 94.0214° W)
Beckmann, Addie (1862–1954)
..... 156

USA, Missouri, Independent Cities, St Louis
(38.6277° N, 90.1995° W)
Battell, Samuel Woodall (1856–1930).....203
Battelle, Joseph Ernest (1886–1963).....204
Morrison, Ida Caroline (1860–1925)..... 51, 203

USA, Missouri, Jasper County, Joplin
(37.0842° N, 94.5131° W)
Beckmann, Addie (1862–1954)
..... 156

USA, Missouri, Jasper, Joplin
(37.0842° N, 94.5131° W)
Davis, Hiram Sears (1844–1932)
..... 33, 161

USA, Missouri, Marion, Hannibal
(39.7084° N, 91.3585° W)
Moore, Queen S (1881–1969)
..... 183

USA, Missouri, St Louis
(38.6794° N, 90.3916° W)
Morrison, Henry B (1823–1913)
.....51

USA, Missouri, St Louis, Bel-Nor
(38.702° N, 90.3168° W)
Battell, Samuel Woodall (1856–1930).....203
Battelle, Joseph Ernest (1886–1963).....204
Morrison, Ida Caroline (1860–1925).....203

USA, Missouri, St Louis, St John's Hospital
Sears, Daisy May (1878–1955)
..... 186

USA, Missouri, St Louis, Webster Groves
(38.5926° N, 90.3573° W)
Hoffman, Ida E (1882–1948) 187

USA, Nebraska, Lincoln
(41.052° N, 100.7452° W)

Roose, Franklin F (1854–).... 202
USA, New Hampshire, Hillsborough, New Ipswich
(42.7481° N, 71.8542° W)

Estey, Olive M (1843–1928)...80

USA, New Jersey, Essex
(40.7873° N, 74.2463° W)
Van Pelt, Mary (1789–1865) ..12

USA, New York
(42.7531° N, 74.2224° W)
Babcock, Phebe Ann (1806–) .29
Cornish, Joseph W (1855–).. 201
Jenks, Marietta (1818–1864) .79
Moore, Mary "Polly" (1818–) 138
Purdy, Merritt (1811–1873) .143
Roberts, Emma R.....144
Sears, George W (1838–1920)
..... 139
Sears, Mary Elizabeth (1841–1841)..... 140

USA, New York, Albany
(42.6029° N, 73.9717° W)
Roberts, Sally (1781–1855) ...27
Sears, Mary (1798–1832).....23, 117

USA, New York, Albany, Troy, near
Sears, Abner (1787–1842).....12

USA, New York, Broome
(42.1642° N, 75.8197° W)
Gray, Silas Philip (1828–1884)
..... 147

USA, New York, Broome, Binghamton, Lewis house
Gray, Silas Philip (1828–1884)
..... 147

USA, New York, Broome, Dickinson
(42.129° N, 75.9086° W)
Sears, Aurelia (1800–) ...20, 101

USA, New York, Broome, Windsor, Cascade Valley
Gray, Silas Philip (1828–1884)
..... 147
Hoffman, Elizabeth (1830–1893)
..... 147

USA, New York, Cattaraugus, Olean
(42.0776° N, 78.4297° W)
Witherell, Lyman (1811–).....93

USA, New York, Chautauqua, Chautauqua
(42.2097° N, 79.467° W)

--Austin, Rhoda A (1844-)... 140
 Faulkner, Harriet M (1846-1875)
 139

**USA, New York,
 Chautauqua, Westfield**
 (42.3223° N, 79.5781° W)
 Sears, George W (1838-1920)
 138, 139

**USA, New York, Essex,
 Minerva**
 (43.7914° N, 73.9847° W)
 Kellogg, Eliza Jane "Lizzie"
 (1852-) 115

**USA, New York, Essex,
 Moriah**
 (44.0461° N, 73.5056° W)
 Waldo, Prentiss (1812-)..... 100

**USA, New York, Genesee
 County, Batavia**
 (42.9981° N, 78.1875° W)
 Sears, Sarah Ann (1828-1872)
 74
 Sears, Simeon (1803-1878) .. 73

**USA, New York, Genesee,
 Batavia**
 (42.9981° N, 78.1875° W)
 Ellicott, George M (1833-)..... 75
 Sears, Mariah T (1836-)..... 75
 Sears, Simeon (1803-1878) . 67,
 73

USA, New York, Greene
 (42.292° N, 74.1288° W)
 Hoffman, Elizabeth (1830-1893)
 147

USA, New York, Jefferson
 (43.994° N, 76.0543° W)
 Tubbs, Diany "Amy" (1809-
 1877) 125

**USA, New York, Jefferson,
 Henderson**
 (43.8469° N, 76.1822° W)
 Hungerford, Orin (1806-).... 133
 Sears, Priscilla (1810-1837) . 23,
 133

USA, New York, Jonesville
 Sears, Hiram (1818-1888) .. 145

**USA, New York,
 Livingston, Groveland**
 (42.6647° N, 77.77° W)
 Sears, Edmund Winslow (1821-
 1901) 96
 Sears, Elizabeth (1823-1893) 97
 Sears, Franklin (1785-1869) . 95
 Sears, William Wallace (1828-
 1913) 97

**USA, New York,
 Livingston, Groveland,
 perh**
 Poorman, Margaret (1832-1910)
 97
 Sears, (1820-) 96
 Sears, Ellen (1835-1843)..... 97
 Sears, Jane Maria (1830-)..... 97
 Sears, Julia A (1833-) 97
 Sears, Mary Emily (1837-1861)
 97
 Sears, Matilda (1839-) 98

**USA, New York,
 Livingston, Leicester**
 (42.772° N, 77.8966° W)
 Sears, Edmund Winslow (1821-
 1901) 96, 97
 Sears, Franklin (1785-1869) 64,
 95

**USA, New York,
 Livingston, Moscow**
 Sears, Edmund Winslow (1821-
 1901) 96

**USA, New York,
 Livingston, Mount
 Morris**
 (42.7256° N, 77.8742° W)
 Sears, Mariah T (1836-) 75
 Sears, Simeon (1803-1878) .. 74

**USA, New York, Monroe,
 Rochester**
 (43.1548° N, 77.6156° W)
 Brush, Sophronia Reed (1824-
 1904) 97

**USA, New York, Monroe,
 Rochester, Ward 5**
 Sears, Simeon (1803-1878) .. 74

USA, New York, Moscow
 Sears, Edmund Winslow (1821-
 1901) 97
 Shadders, Elizabeth (1801-
 1872) 96

USA, New York, Oneida
 (43.2406° N, 75.4381° W)
 Tubbs, Samuel S (1833-?) .. 120
 Tubbs, Smith (1826-1865) .. 120

**USA, New York, Oneida,
 Camden**
 (43.3345° N, 75.748° W)
 Ash, Mary (1782-1845) 23
 Estey, Harriet (1826-)..... 117
 Sears, Lois Ann (1836-1846)122
 Sears, Lowell Clark (1833-1909)
 131
 Sears, Mary Catharine "Kate"
 (1834-1917) 120
 Sears, Reuben Seelye (1835-
 1845) 132
 Sears, Rhoda Ann (1842-1843)
 132

**USA, New York, Oneida,
 Maple Flats**
 Tubbs, Seth Barton Robert
 (1830-1917)122

**USA, New York, Oneida,
 Rome**
 (43.2129° N, 75.4557° W)
 Howard, Almira (1809-1848)119
 Sears, Cordelia Maria (1832-
 1913)119
 Sears, John (1820-1845)..... 23
 Sears, Jonas (1804-1833) 23
 Sears, Mary (1798-1832) 23,
 117
 Sears, Priscilla (1810-1837) . 23,
 133
 Sears, Richard (1775-1830) . 17,
 22
 Sears, Richard III (1801-1852)
 23, 117, 119
 Sears, Silas (1806-1859)23, 126
 Sears, Walter Scott (1823-1895)
 23, 134

**USA, New York, Oneida,
 Rome, perh**
 Estey, Alfred (1794-)117
 Estey, Harriet (1826-).....117
 Hungerford, Orin (1833-).....134

**USA, New York, Oneida,
 Westmoreland**
 (43.1161° N, 75.4042° W)
 Sears, David Sanford (1839-
 1843)132
 Sears, Silas (1806-1859).....127
 Seelye, Betsey M (1813-1909)
127

**USA, New York, Ontario,
 Naples**
 (42.6154° N, 77.4025° W)
 Sears, Angeline (1822-1852) 14

**USA, New York, Orleans,
 Albion**
 (43.2464° N, 78.1939° W)
 Sears, Hannah (1785-).... 63, 94

**USA, New York, Otsego,
 Cherry Valley**
 (42.7956° N, 74.7532° W)
 Sears, Alexander (1814-1855)
 13, 36
 Sears, Hannah Jane (1818-1879)
 13, 42
 Sears, Washington (1816-1891)
 13, 38

**USA, New York,
 Rensselaer**
 (42.7098° N, 73.5139° W)
 Sears, Charlotte (1809-1873)
 12, 31
 Sears, John Henry (1839-1898)
139

USA, New York, Rensselaer, Brunswick (42.7358° N, 73.5619° W) Sears, Silas (1781-1830)..... 27	USA, New York, Schoharie (42.591° N, 74.4394° W) Sears, Sally Maria (1808-1826) 148 Tubbs, Diany "Amy" (1809- 1877)..... 125	Sears, George W (1837-1910) 104
USA, New York, Rensselaer, Brunswick, perh Sears, Mary (1802-1807) 28	USA, New York, Schoharie, perh Edgecumbe, Silas Asa (1826-) 148	USA, New York, Wayne (43.283° N, 77.0535° W) Purdy, Merritt (1811-1873) . 142 Sears, Amanda (1815-1869) 142
USA, New York, Rensselaer, Hoosick (42.8625° N, 73.3286° W) Sears, Richard (1748-1814).. 15	USA, New York, Schoharie, Schoharie (42.6659° N, 74.3096° W) Gray, Jonas Abisha (1827-1906) 147 Sears, Betsy (1805-1874) 28, 146 Sears, Ellen (1818-1840) 28, 151 Sears, Mary Ann (1814-) 28, 149 Sears, Sally Maria (1808-1826) 28, 148	USA, New York, Wayne, Butler (43.1701° N, 76.7661° W) Purdy, Maria Bissell (1840-1914) 144 Purdy, Merritt (1811-1873) 142, 143 Sears, Amanda (1815-1869) 142 Sears, Charlotte Ann (1845- 1845)..... 140 Sears, Orange (1776-1854)... 24 Sears, William Oscar (1845- 1915)..... 140
USA, New York, Rensselaer, Hoosick, perh Sears, Richard (1748-1814). 15, 56	USA, New York, Schoharie, Schoharie, perh Edgecumbe, Silas (1804-) ... 148 Ross, Orin J (1814-1889) 151	USA, New York, Wayne, Butler, West Butler Bissell, Annis (1782-1841) 25 Hibbard, Horace Woods (1841-) 146 Purdy, Maria Bissell (1840-1914) 143 Sears, Carlie C (1845-1915) 145
USA, New York, Rensselaer, Pittstown (42.835° N, 73.4856° W) Purdy, Merritt (1811-1873).. 142 Sears, George W (1838-1920) 138	USA, New York, Seneca, Seneca Falls (42.9106° N, 76.7966° W) Purdy, Hiram J (1847-) 144	USA, New York, Wayne, Galen (43.0676° N, 76.8802° W) Peck, Washington Freeman (1841-1891)..... 144
USA, New York, Rensselaer, Schaghticoke, Valley Falls Sears, Orin (1810-1839) 25	USA, New York, St Lawrence (44.5785° N, 75.2597° W) Jennison, Abel Warren (1839-) 108	USA, New York, Wayne, Lyons (43.0642° N, 76.9902° W) Sears, Orange (1776-1854).. 17, 24
USA, New York, Rensselaer, Valley Falls (42.9034° N, 73.5626° W) Sears, Amanda (1815-1869) 25, 142 Sears, Hiram (1818-1888)... 25, 145 Sears, Orange (1776-1854).. 25 Sears, Oscar (1812-1890) ... 138	USA, New York, Tompkins, Trumansburg (42.5423° N, 76.6661° W) Washburn, Hiram (1807-1877) 150	USA, North Carolina, Lewisburg Ray, Charles H (1852-) 176
USA, New York, Rensselaer, Valley Falls, perh Purdy, Caroline (1842-1845) 144 Purdy, Charles E (1837-) 143 Purdy, Hiram J (1847-) 144	USA, New York, Washington (43.3201° N, 73.4306° W) Sears, Hiram (1802-).... 20, 103	USA, North Dakota, Stutsman, Jamestown (46.9106° N, 98.7084° W) Hart, Lillie D (1887-1958) ... 163
USA, New York, Saratoga, Schuylerville (43.1001° N, 73.5818° W) Sears, Barnabas (1819-1898) 90	USA, New York, Washington, Cambridge (43.0281° N, 73.3812° W) Vidatoe, Harvey (1796-1880) 100	USA, Ohio (40.2083° N, 81.325° W) Downing, Abasbar W (ca.1864-) 178 Farmer, Lewis W (1836-1897) 35, 166 Sears, Caroline (1827-1897) . 51
USA, New York, Schenectady, Duanesburg (42.762° N, 74.1337° W) Sears, Angeline (1810-1813) 13 Sears, Diantha L (1812-1880) 13, 34	USA, New York, Washington, Greenwich (43.0906° N, 73.4987° W) Hubbard, Julia L (1838-1890) 108	USA, Ohio, Cuyahoga, Berea (41.3662° N, 81.8543° W) Sears, Hiram DD (1825-1911) 14, 46
		USA, Ohio, Fayette (39.5647° N, 83.4508° W)

- Davis, Rachel (1827-1902)... 32, 154
- USA, Ohio, Fayette, Madison, Yankeetown**
Sears, Addison (1830-1895). 14, 52
Sears, Angeline (1822-1852). 13
Sears, Caroline (1827-1897) 14, 50
Sears, Charlotte (1809-1873) 32
Sears, Diantha L (1812-1880)35
Sears, Hiram DD (1825-1911) 14, 46
- USA, Ohio, Fayette, Yankeetown**
Sears, Richard Van Rensellaer (1819-1884) 13, 44
- USA, Ohio, Franklin**
(39.9697° N, 83.0098° W)
Fisk, Emma Frances (1847-) 112
Killpatrick, James G (1820-).. 43
- USA, Ohio, Franklin, Columbus**
(39.9612° N, 82.9988° W)
Fisk, Wallace Wilbur (1841-1909) 112
Sears, Anna B (1817-1881).. 21, 111
- USA, Ohio, Greene**
(39.6946° N, 83.8865° W)
--Farmer, Mary Louisa (1840-1899) 167
- USA, Ohio, Lucas, Maumee**
(41.5628° N, 83.6538° W)
Hunter, Louisa "Lou" (1849-1869) 124
Sears, Henry Bela (1844-1923) 124
- USA, Ohio, Lucas, Toledo**
(41.6639° N, 83.5552° W)
Sears, Henry Bela (1844-1923) 123, 124
- USA, Ohio, Lucas, Toledo, Ward 10**
Sears, Henry Bela (1844-1923) 124
- USA, Ohio, Lucas, Toledo, Ward 7**
Sears, Henry Bela (1844-1923) 124
- USA, Ohio, Pickaway**
(39.6396° N, 83.0323° W)
Davis, John (1800-1886) 32
- USA, Ohio, Pike**
(39.0837° N, 83.072° W)
Moore, Eden (1847-)..... 181
- USA, Ohio, Ross, Chillicothe**
(39.3331° N, 82.9824° W)
Farmer, Henry L (1809-1883) 35
- USA, Pennsylvania, Adams, Union City**
(41.8998° N, 79.8454° W)
Barnes, Elizabeth Anna "Libbie" (1857-1936) 140
Sears, William Oscar (1845-1915) 140
- USA, Pennsylvania, Allegheny, Wilkinsburg**
(40.4417° N, 79.882° W)
Sears, Estella O "Stella" (1871-1943) 178
- USA, Pennsylvania, Allegheny, Wilksburg, Ward 2**
Sears, Estella O "Stella" (1871-1943) 178
- USA, Pennsylvania, Armstrong**
(40.8124° N, 79.4642° W)
Stevens, George Mitchell..... 171
- USA, Pennsylvania, Bradford**
(41.7928° N, 76.5181° W)
Kipp, Gennette A (1843-1909) 152
Ross, George L (1842-1885) 152
- USA, Pennsylvania, Bradford, Orwell**
(41.8839° N, 76.2775° W)
Sears, Silas (1781-1830).17, 27
- USA, Pennsylvania, Bradford, Orwell Township**
(41.8839° N, 76.2775° W)
Gray, Silas Philip (1828-1884) 147
- USA, Pennsylvania, Bradford, Rome**
(41.8583° N, 76.3411° W)
Sears, Mary Ann (1814-) 149
- USA, Pennsylvania, Bradford, Towanda**
(41.7676° N, 76.4427° W)
Kipp, Gennette A (1843-1909) 152
Ross, George L (1842-1885) 151
- USA, Pennsylvania, Crawford, Spartansburg**
(41.824° N, 79.6837° W)
Sears, William Oscar (1845-1915) 140
- USA, Pennsylvania, Erie**
(42.1034° N, 80.1041° W)
Moore, Mary "Polly" (1818-).138
Sears, John Henry (1839-1898)139
Sears, Oscar (1812-1890) ... 25, 137
- USA, Pennsylvania, Erie, Corry**
(41.9203° N, 79.6403° W)
Sears, George W (1838-1920)139
- USA, Pennsylvania, Erie, Union City**
(41.8995° N, 79.8453° W)
Barnes, Elizabeth Anna "Libbie" (1857-1936).....141
- USA, Pennsylvania, Erie, Venango**
(41.7728° N, 80.1128° W)
Moore, Mary "Polly" (1818-).138
Sears, Andrew J (1848-).....141
Sears, George W (1838-1920)138
Sears, John Henry (1839-1898)139
SEARS, Mary Adelle "Della" (1856-)141
Sears, Oscar (1812-1890) ..137, 138
Sears, William Oscar (1845-1915)140
- USA, Pennsylvania, Erie, Wattsburg**
(42.0037° N, 79.8109° W)
Faulkner, Harriet M (1846-1875)140
Sears, Andrew J (1848-).....141
Sears, John Henry (1839-1898) 139, 140
SEARS, Mary Adelle "Della" (1856-)141
Sears, Oscar (1812-1890) ...137
- USA, Pennsylvania, Erie, Wattsburg, Lowville Cemetery**
Moore, Mary "Polly" (1818-).138
Sears, George W (1838-1920)138
- USA, Pennsylvania, Erie, Wattsburg, perh**
Chaffee, Ella A (1852-).....141
Grant, Augustus J (1852-) ...141
Whitford, Melissa A (1844-) .139
- USA, Pennsylvania, Erie, Wayne**
Sears, George W (1838-1920)139

USA, Pennsylvania, McKean, Bradford (41.9559° N, 78.6439° W) Warner, Adelaide Delphine "Addie" (1835-1905)..... 53	Ray, Nellie H (1882-)..... 176 Sears, Alexander (1814-1855)36	USA, Texas, Marion (32.7983° N, 94.3575° W) Sears, Addison (1830-1895).. 53
USA, Pennsylvania, Perry, Duncannon (40.3981° N, 77.0231° W) Allander, Caroline C (1844-1920)147	USA, Texas, Bexar, San Antonio (29.4241° N, 98.4936° W) Farmer, Elmira C (1859-1909) 167	USA, Texas, perh Hawley, Vesta Cordelia (1827-1854)..... 36
USA, Pennsylvania, Susquehanna (41.8227° N, 75.8003° W) Sears, Ellen (1818-1840) 151	USA, Texas, Cameron (26.1495° N, 97.4492° W) Stevens, Otho Robert (1879-1940)..... 172	USA, Utah, Utah, Springville (40.1652° N, 111.6107° W) Beckman, George Washington (1859-1913)..... 156 Davis, Rachel (1827-1902)... 33, 155
USA, Pennsylvania, Susquehanna Co, perh Ross, Edgar A (1847-)..... 152 Ross, Ellen (1845-1865)..... 152 Ross, George L (1842-1885) 151	USA, Texas, Cameron, San Benito (26.1326° N, 97.6311° W) Stevens, Otho Robert (1879-1940)..... 172	USA, Vermont (43.8726° N, 71.55° W) Adams, Sarah (1808-1884) . 103
USA, Pennsylvania, Susquehanna, Dimock (41.7464° N, 75.8986° W) Gray, John (1803-1889)..... 147 Gray, Jonas Abisha (1827-1906) 147 Roberts, Sally (1781-1855) .. 27 Sears, Betsy (1805-1874) ... 28, 146, 147	USA, Texas, Dallas, Dallas (32.7833° N, 96.8° W) Sears, Duke Percival (1881-1952)..... 179	USA, Vermont, Addison, Barnumtown Chapman, Betsy (1778-1842) 20 Sears, Caspar Henry (1845-1865)..... 115 Sears, Cassius Clay (1844-1927) 114 Sears, Harry Vidito (1857-1931) 116 Sears, Henry Lee (1820-1894) 113 Sears, John (1773-1852) 19 Sears, John (1810-1834) 21 Sears, Mary Elizabeth (1816-1841)..... 21 Sears, Rufus Chapman (1818-1838)..... 21 Wheaton, Julia Fidelia (1824-1872)..... 114
USA, Pennsylvania, Susquehanna, Dimock Twp (41.7464° N, 75.8986° W) Allander, Caroline C (1844-1920) 147	USA, Texas, El Paso, El Paso (31.7587° N, 106.487° W) Sears, Duke Percival (1881-1952)..... 179	USA, Vermont, Addison, Bristol (44.1334° N, 73.079° W) Sears, Harry Vidito (1857-1931) 116
USA, Pennsylvania, Susquehanna, Evergreen Cemetery Hoffman, Elizabeth (1830-1893) 147	USA, Texas, Harrison (32.5478° N, 94.3706° W) Sears, Mary Eliza (1854-)..... 175 Sears, Vesta Cordelia (1848-1918)..... 174	USA, Vermont, Addison, Middlebury (44.0153° N, 73.1673° W) Hubbard, Julia L (1838-1890) 108 Sutton, George Thomas (1837-1903)..... 108
USA, Pennsylvania, Susquehanna, Harford (41.7822° N, 75.7019° W) Gray, Jonas Abisha (1827-1906) 147	USA, Texas, Harrison, Marshall (32.5449° N, 94.3674° W) Hawley, Vesta Cordelia (1827-1854)..... 36 Sears, Addison (1830-1895). 14, 52 Sears, Addison Hawley (1850-1856)..... 37 Sears, Alexander (1814-1855) 13, 36 Sears, Harriet Anderson (1877-) 53 Sears, Mary Delphine (1861-1883)..... 53 Sears, Mary Eliza (1854-)..... 37, 175 Sears, Vesta Cordelia (1848-1918)..... 37, 174 Warner, Adelaide Delphine "Addie" (1835-1905) 53	USA, Vermont, Addison, Monkton (44.2201° N, 73.1254° W) Carter, Augusta Josephine (1853-1917)..... 116 Chapman, Betsy (1778-1842) 20 Finney, Aurelia A (1858-) 116 Sears, Caspar Henry (1845-1865)..... 115 Sears, Cassius Clay (1844-1927) 114, 115 Sears, Emeline (1812-1842). 21, 110 Sears, Fred (1850-1902)..... 115
USA, Pennsylvania, Susquehanna, Evergreen Cemetery Gray, Silas Philip (1828-1884) 147	USA, Texas, Harrison, Marshall, perh Vawters, Addison Sears (1884-) 175 Vawters, Edwin (1844-) 174	USA, Vermont, Addison, Monkton (44.2201° N, 73.1254° W) Carter, Augusta Josephine (1853-1917)..... 116 Chapman, Betsy (1778-1842) 20 Finney, Aurelia A (1858-) 116 Sears, Caspar Henry (1845-1865)..... 115 Sears, Cassius Clay (1844-1927) 114, 115 Sears, Emeline (1812-1842). 21, 110 Sears, Fred (1850-1902)..... 115
USA, Tennessee, Sumner, Mitchellville (36.632° N, 86.5408° W) Sears, Daniel Abner (1842-1862) 45	USA, Texas, Harrison, perh Ray, (1882-1882)..... 176	
USA, Texas (31.1667° N, 98.925° W)		

- Sears, Harry Vidito (1857–1931) 116
 Sears, Henry Lee (1820–1894) 21, 113, 114
 Sears, John (1773–1852) 17, 19
 Sears, John (1810–1834) 21
 Sears, Mary Elizabeth (1816–1841) 21
 Sears, Mary Jane (1854–) ... 116
 Sears, Rufus Chapman (1818–1838) 21
 Wheaton, Julia Fidelia (1824–1872) 114
- USA, Vermont, Addison, Monkton, perh**
 Thompson, Dewitt (1850–) .. 116
- USA, Vermont, Addison, Panton**
 (44.1486° N, 73.3408° W)
 Carter, Augusta Josephine (1853–1917) 116
 Sears, Fred (1850–1902) ... 115, 116
- USA, Vermont, Addison, Starksboro**
 (44.2272° N, 73.0578° W)
 Bostwick, Alfred W (1815–1883) 101
 Vidatoe, Harvey (1796–1880) 100
- USA, Vermont, Addison, Vergennes**
 (44.1673° N, 73.254° W)
 Carter, Augusta Josephine (1853–1917) 116
 Sears, Fred (1850–1902) 115
 Sears, George W (1837–1910) 104
- USA, Vermont, Bennington, Arlington**
 (43.0748° N, 73.154° W)
 Sears, Oscar (1812–1890).... 25, 137
- USA, Vermont, Bennington, Rupert**
 (43.2597° N, 73.2233° W)
 Boardman, Caroline (1821–1910) 90
- USA, Vermont, Chittenden, Burlington**
 (44.4759° N, 73.2121° W)
 Sutton, James Byron (1832–1909) 107
- USA, Vermont, Chittenden, Charlotte**
 (44.3097° N, 73.2614° W)
 Sears, Caroline (1806–1872) 20, 106
 Sears, Cassius (1808–1878) . 21, 109
- Sears, Edmund (1794–1803). 20
 Sears, Hiram (1802–) 103
 Sears, John (1810–1834) 21
- USA, Vermont, Chittenden, Hinesburg**
 (44.3292° N, 73.1107° W)
 Bostwick, Alfred W (1815–1883) 101
 Norton, Nathaniel G (1831–)107, 108
 Sears, Anna B (1817–1881) . 21, 111
 Sears, Aurelia (1800–)... 20, 101
 Sears, Betsy (1796–1796)..... 20
 Sears, Caroline (1806–1872)107
 Sears, Edmund (1794–1803). 20
 Sears, Emeline (1812–1842) 21, 110
 Sears, Harriet (1798–1847).. 20, 99
 Sears, Henry Lee (1820–1894) 21, 113
 Sears, Hiram (1802–) 20, 103
 Sears, Mary Elizabeth (1816–1841) 21
 Sears, Rufus Chapman (1818–1838) 21
 Vidatoe, Cornelia (1816–1865) 100
 Vidito, Clarinda (1821–1842)100
- USA, Vermont, Chittenden, Hinesburg, perh**
 Browne, Aurelia (1827–) 102
 Browne, Hubert (1833–) 102
 Browne, Joseph (1831–) 102
 Browne, Minerva (1823–).... 102
 Browne, Simeon (1825–) 102
 Chapman, Betsy (1778–1842)20
 Fisk, Ella Maria (1843–) 112
 Fisk, Emma Frances (1847–)112
 Fisk, George William (1839–)111
 Fisk, Sarah Ann (1851–) 112
 Fisk, Wallace Wilbur (1841–1909) 111
 Moore, John T (1837–1861). 110
 Sutton, Benjamin F (1835–) 107
 Sutton, Cornelia J (1846–1870) 108
 Sutton, Frederic M (1844–1845) 108
 Sutton, George Thomas (1837–1903) 108
 Sutton, John M (1833–1863)107
 Sutton, Lucretia E (1831–1876) 107
 Sutton, Sarah A (1836–)..... 107
 Vidatoe, Cornelia (1816–1865) 100
- USA, Vermont, Chittenden, Shelburne**
 (44.3806° N, 73.2276° W)
 Sears, Caroline (1806–1872)107
 Sutton, Byron (1800–1858). 107
 Sutton, Caroline M (1840–) . 108
- Sutton, James Byron (1832–1909) 107
- USA, Vermont, Chittenden, Williston**
 (44.4376° N, 73.0682° W)
 Browne, Minerva (1823–).....102
 Vidito, Clarinda (1821–1842)100
 Vidito, Jane (1823–1844).....100
 Vidito, Laura (1827–1845) ...100
 Wells, Chester (1817–)100
- USA, Washington, Whitman, Malden**
 (47.2288° N, 117.4727° W)
 Sears, William Wallace (1828–1913) 97
- USA, Wisconsin**
 (44.775° N, 88.1417° W)
 Sears, Lowell Clark (1833–1909) 131
- USA, Wisconsin, Jefferson**
 (43.0205° N, 88.7803° W)
 Sears, Cordelia Maria (1832–1913) 120
 Sears, Mary Catharine "Kate" (1834–1917) 122
- USA, Wisconsin, Jefferson, Rome**
 (42.9803° N, 88.6312° W)
 Bornheimer, Catherine (1833–1908) 131, 132
 Crowder, Mary Ellen (1843–) 123
 Sears, George M Webster (1846–1868) 133
 Sears, Henry Bela (1844–1923) 124
 Sears, John Michael (1839–1883) 123
 Sears, Lowell Clark (1833–1909) 131
 Sears, Reuben Seelye (1835–1845) 132
 Sears, Silas (1806–1859)23, 126
- USA, Wisconsin, Jefferson, Rome, St Lukes Cemetery**
 Tubbs, Smith (1826–1865)...120
- USA, Wisconsin, Jefferson, Sullivan**
 (43.0128° N, 88.5882° W)
 Sears, Lowell Clark (1833–1909) 131
 Sears, Mary Catharine "Kate" (1834–1917) 121
 Tubbs, Smith (1826–1865)...120
- USA, Wisconsin, Milwaukee, Milwaukee**
 (43.0389° N, 87.9065° W)
 Sears, George W (1837–1910) 104

**USA, Wisconsin, Monroe,
Sparta**

(43.9441° N, 90.8129° W)

Browne, Minerva (1823-).....102

USA, Wisconsin, Star

Sears, George M Webster (1846-
1868).....133

**USA, Wisconsin, Vernon,
La Farge, Star**

Seelye, Betsey M (1813-1909)

..... 127

**USA, Wisconsin, Vernon,
Stark Twp**

(43.5956° N, 90.6097° W)

Seelye, Betsey M (1813-1909)
..... 127

**USA, Wisconsin,
Waukesha, Genesee**

(42.9528° N, 88.3589° W)

Sears, David Sanford (1839-
1843)..... 132

Sears, Rhoda Ann (1842-1843)
..... 133

Index of Individuals { TC "Index of Individuals" \f C }

Adams Sarah (1808-1884)..... 103	Bissell Annis (1782-1841) .. 24, 25, 137, 142, 145	Joseph (1828-) 116
Allander Caroline C (1844-1920)..... 147	Blackmer Thankful (1760-1819) 65, 66, 71, 73, 75, 76, 77, 78, 79	Cassiday John..... 94
Amadon Anna Jane "Jennie" (1857-1926) 81	Boardman Caroline (1821-1910) 90	Chaffee Ella A (1852-)..... 141
Arnold Sarah G (1836-1880)..... 165	Bornheimer Catherine (1833-1908) 131 Matthais 131	Chapin Celinda 105
Ash Mary (1782-1845) ... 22, 23, 117, 118, 119, 125, 126, 133, 134	Bostwick Alfred W (1815-1883)..... 101	Chapman Betsy (1778-1842).... 19, 20, 99, 101, 103, 106, 109, 110, 111, 113
Ashley Salome 75, 76	Boydin Eli (1768-)..... 61 Katherine..... 61, 70 Mary (1770-1841)..... 61, 69 Micah (1745-)..... 61, 69, 70	Chatfield Mary 143
--Austin Rhoda A (1844-) 140	Brady Charles 199	Clark Theodore (-1889)..... 150
Babcock Phebe Ann (1806-) 28, 29 William (1780-)..... 28, 29	Brewster Jesse H..... 150	Clarke (unknown given name)..... 105
Barnes Elizabeth Anna "Libbie" (1857-1936)..... 140	Browne Aurelia (1827-) 101, 102 Hubert (1833-) 101, 102 Joseph (1797-) 101, 102 Joseph (1831-) 101, 102 Minerva (1823-)..... 101, 102 Simeon (1825-) 101, 102	Collins William T 169
Barnum Daniel T (1797-1880)..... 97	Brush Sophronia Reed (1824-1904).. 97	Cornish Carrie Josephine (1883-) 200, 201 Edna Belle (1881-) 200, 201 Joseph W (1855-) 200, 201 Thomas Kynett (1884-) . 200, 201
Barry Kate 158	Bryan Harriet Mildred 173	Coultas Aldo Bliss (1877-) 199, 200 Edna Berenice (1879-).. 199, 200 Lotas Bertena (1883-) .. 199, 200 Thomas J (1853-1880) . 199, 200
Battell Samuel Woodall (1856-1930) 203	Buck Deborah (1716-).. 11, 15, 19, 22, 24, 26, 27, 28, 55, 56, 59, 60, 61, 62, 64, 65, 69, 70, 71, 73, 75, 78, 79, 82, 85, 91, 92, 93, 94, 95 John (1690-) .. 15, 55, 56, 60, 61, 62, 64, 65	Crawford William (1829-)..... 97
Battelle Cornelius H (1897-) 203, 204 Frank R (1899-) 203, 204 Ida Caroline (1888-) 203, 204 Joseph Ernest (1886-1963)... 203, 204 William Morrison (1883-)..... 203	Burkenkamp Hannah "Hattie" W.P. 204	Crosby Sarah (1667-1705/06)..... 55
Beckman George Washington (1859-1913) 154, 155	Burrus Julia Etta 192	Crowder F Q 123 Mary Ellen (1843-) 123
Beckmann Addie (1862-1954) 154, 156 Addison (1855-1856) 154, 155 Diantha (1845-1846) 154, 155 John (1851-1848)..... 154, 155 Levi (1851-1852) 154, 155 Mary (1849-1850) 154, 155 Mary Frances (1863-1919) ... 154, 156 Simon Peter (1823-1873) 154, 155	Bursell Anna (1642-1725/26)..... 55	--Crowder Mary 123
Bell Minerva B. (Minerva Browne) (1823-)..... 102 Thomas (1820-) 102	Butts Anthony M (1866-)..... 170 Diantha J (1861-1871)..... 170 Homer E (1873-)..... 170 John 170 William H (1863-)..... 170	Davenport (unknown given name)..... 105
Bickford Edward Oscar (1833-)..... 98	Carter Augusta Josephine (1853-1917) 116	Davis Abner (1839-1839) 31, 33 Albertie (1866-1868) 159, 160 Alexander (1831-1832)..... 31, 33 Charlotte "Lottie" (1877-)..... 161, 162 Clara M (1821-) 145 Diantha (1826-1853) 31, 32, 153 Elijah 145 George C (1876-)..... 159, 160 Hiram Frederic (1880-1962) . 161, 162 Hiram S (Hiram S. Davis) (1844-1932)..... 33, 161 Hiram Sears (1844-1932) 31, 33, 161

- Homer (1869–1869) 159, **160**
 James (1829–)..... 31, **33**
 Jerome (1849–1859) 31, **33**
 John (1800–1886) ... **31, 32, 153, 154, 155, 157, 159, 161**
 John H (1850–)..... 31, **33**
 Lee (1864–1865)..... 159, **160**
 Lena (1878–)..... 161, **162**
 Lulu (1882–1920)..... 161, **163**
 Mary Jane (1833–1868) ... 31, 33, **157**
 Milton (1841–1863)..... 31, **33**
 Rachel (1827–1902) ..31, 32, **154**
 Samuel (1847–1852) 31, **33**
 William (1870–) 159, **160**
 William Arthur "Arthur" (1884–) 161, **163**
 William H (1836–1917) 31, 33, **159**
- Davis**
 Mary 145
- Davis**
 Mary 145
- Doolittle**
 Betsey (1779–1838) 126, 127
- Downing**
 Abasbar W (ca.1864–) **178**
- Dunn**
 Sarah..... 195
- Eckard**
 Elmer Moses (1872–1918) **179**
- Edgecombe**
 Silas (1804–) **148**
 Thomas 148
- Edgecumbe**
 Silas Asa (1826–) 148
- Edwards**
 Mary J (1852–1932) **72**
- Ellicott**
 George M (1833–) **75**
- Estey**
 Alfred (1794–) **117**
 Harriet (1826–) 117
 Olive M (1843–1928) **80**
- Everts**
 Hugh Oscar (1879–1959) **188**
- Ewart**
 Harry **97**
- Farmer**
 Abner Sears (1848–1886) 34, 36, **173**
 Alfred T (1880–1880)..... 165
 Andrew M (1856–)..... 165
 Charles Edward (1870–) 166, **167**
 Charles M (1874–)..... 173
 Charlotte Missouri (1846–) 34, 35, **171**
 Clara A (1866–) 166, **167**
 Edith Maude (1878–) 173, **174**
 Elmira C (1859–1909)... 166, **167**
 Henry L (1809–1883)**34, 35, 164, 165, 166, 168, 170, 171, 173**
 Ida May (1861–1929) ... 166, **167**
 James Jackson (1863–) . 166, **167**
 Joel T (1860–1862) 165
 John Wesley (1833–) .34, 35, **165**
 Joseph (1831–1861) ..34, 35, **164**
 Joseph R (1883–)..... 173, **174**
 Julia Elizabeth (1841–).....34, 35, **170**
 Lewis W (1836–1897) 34, 35, **166**
 Madge B (1868–) 165
 Martha E (1872–)..... 173
 Mary Catherine (1838–)34, 35, **168**
 Nellie J (1872–) 166, **167**
 Susan (1843–1843)..... 34, **35**
- Farmer**
 Mary Louisa (1840–1899)..... **166**
- Farmer**
 Mary Louisa (1840–1899)..... **166**
- Faulkner**
 Harriet M (1846–1875) **139**
- Field**
 Erastus75, 76
 Julia Ann (1811–1893)..... **75, 76**
- Finch**
 Archibald J..... **167**
- Finney**
 Aurelia A (1858–)..... **116**
- Fisk**
 David L (1813–) **111**
 Ella Maria (1843–)..... 111, **112**
 Emma Frances (1847–) . 111, **112**
 George William (1839–) 111
 Sarah Ann (1851–)..... 111, **112**
 Wallace Wilbur (1841–1909).. 111
- Freeman**
 John (1678–1767)..... 62
 Mary (1719–1785) 62, 82, 85, 91, 92, 93, 94, 95
- Grant**
 Augustus J (1852–) **141**
- Gray**
 John (1803–1889)..... **146, 147**
 Jonas Abisha (1827–1906) ... 146, **147**
 Mary "Polly" (1797–)..... **71, 72**
 Silas Philip (1828–1884) 146, **147**
- Greely**
 Nellie **156**
- Green**
 Mary Elizabeth **191**
 Thomas..... 191
- Greene**
 Mary 191
- Gruna**
 Adeline..... **109**
- Gwinn**
 (1873–1873) 168, **169**
 Diantha Margaret (1860–1942)168, **169**
 Effa A (1862–).....168, **169**
 Grace D (1878–).....168, **169**
 Henry T (1858–)168, **169**
 Ida M (1864–)168, **169**
 Jemima R (1861–).....168, **169**
 Joseph H..... **168**
 Leovell A (1870–1871)...168, **169**
 Margaret Diantha (Diantha M. Gwinn) (1860–1942)169
 William G (1868–).....168, **169**
- Hahn**
 Nancy Ellen (1852–1929)..... **161, 162**
- Hall**
 Benjamin 55
 Hannah (1680–1753) . 15, 55, 60, 61, 62, 64, 65
- Hall**
 Mehitable 55
- Hammer**
 Agnes131
- Harrington**
 Charles 26
 Daniel..... **26**
- Hart**
 Jessie B **191**
 Jessie Beulah (1900–1981) ... **191**
 Lillie D (1887–1958)..... 161, **163**
- Hawley**
 Vesta Cordelia (1827–1854) ... **36, 174, 175**
- Hay**
 (unknown given name) **105**
- Hayward**
 Josephine (1825–1854) **116**
- Henderson**
 Hope (1810–)46, 48, 197
- Hendrickson**
 Clara E..... **108**
- Hibbard**
 Horace Woods (1841–) **145**
- Hinds**
 Hannah Lovering (1796–).. **73, 74**
- Hoffman**
 Elizabeth (1830–1893)..... **147**
 Ida E (1882–1948)..... **187**
- Holcomb**
 Ella M **165**
- Howard**
 Almira (1809–1848) **119**
- Hubbard**
 Julia L (1838–1890) **108**
- Hungerford**
 Orin (1806–) **133**
 Orin (1833–) 133, **134**

Hunter

Louisa "Lou" (1849-1869)..... **124**

Ingram

Sophia Foster (1821-1871)..... **72**

Jenks

Marietta (1818-1864)..... **79**
 Zechariah..... 79

Jennison

Abel Warren (1839-)..... **108**

Jones

Jerome Jefferson..... **112**

Kellogg

Eliza Jane "Lizzie" (1852-) **115**
 J P (1826-)115

Killpatrick

Eliza Caroline (1855-1882) 42, **43**
 Frank Ely (1857-1883)42, **43**
 Hiram David (1859-).. 42, 43, **192**
 James Addison (1849-) 42, 43, **191**
 James G (1820-)**42, 43, 191, 192**
 Mary Malvina (1845-1852).42, **43**
 Matilda Jane (1851-1852)..42, **43**
 Thomas William (1847-1852). 42, **43**
 Vesta Angeline (1853-)42, **43**

Kipp

Gennette A (1843-1909) **152**

Knott

(unknown given name) **105**

Laura

Anna (1851-).....164

Lawrence

Hubbard..... **78**

Lee

Abner (1722-) *11, 15, 16, 19, 22, 24, 26, 27, 28, 57*
 Cordelia M (1842-) **159**
 Mary (1748-1790)*11, 15, 16, 19, 22, 24, 26, 27, 28, 29, 31, 34, 36, 38, 42, 44, 46, 50, 52, 57, 99, 101, 103, 106, 109, 110, 111, 113, 117, 119, 125, 126, 133, 134, 137, 142, 145, 146, 148, 149, 151*
 William159

Linn

Jemima E (1829-)..... **164**

Maple

Seneca S **169**

--Mason

Melissa D **112**

McCorkle

Virginia Mary "Polly" ..*38, 40, 176, 180, 184, 190*

Merrick

Sarah (1726-) *11, 15, 16, 19, 22, 24, 26, 27, 28, 57*

Mills

Sarah A (1833-1902)..... **134**

Moore

(1877-1877)..... 180, **182**
 Bessie E (1875-) 180, **181**
 Charles Augustus (1878-)..... 180, **182**
 Della S "Dellie" (1883-).. 180, **183**
 Eden (1847-) **180, 181**
 John T (1837-1861)..... 110
 John Thomas (1812-) **110**
 Mary "Polly" (1818-).... **137, 138**
 Newton S (1874-) 180, **181**
 Queen S (1881-1969) ... 180, **182**

Morrison

Alexander Franklin (1844-)50, 51, **198**
 Blanche (1871-)..... 198, **199**
 Edna (Edna A. Morrison) (1857-) 51, 201
 Edna Alethea (1857-) 50, 51, **200**
 Elizabeth Jane (1824-1914)... **38, 40, 176, 177, 180, 184, 190**
 Emily Estelle (1869-).... 198, **199**
 Henry B (1823-1913)**50, 51, 198, 199, 200, 202, 203**
 Henry Baker (1868-)..... 198
 Ida Caroline (1860-1925). 50, 51, **203**
 James Addison (1852-1854) ...50, **51**
 John... *38, 40, 176, 180, 184, 190*
 John Washington (1846-1848) 50, **51**
 Julia Elizabeth (1858-) 50, 51, **202**
 Lillian (1866-)..... 198
 Louisa Adelaide (1854-1855) ..50, **51**
 Mabel Frances (1880-).. 198, **199**
 Mary Angeline (1849-) 50, 51, **199**
 Matilda Jane (1852-1855) .50, **51**
 Sylvanus Shurtleff (1874-) ... 198, **199**

Mumford

Augustus (1855-) 157, **158**
 Charlotte (1865-) 157, **158**
 Lorena Belle (1862-1864)..... 157, **158**
 Mary Estelle (1861-1862)..... 157, **158**
 William (1858-)..... 157, **158**
 William N (1824-)..... **157, 158**

Newcomb

Jos..... **69**

Norton

Nathaniel G (1831-)..... **107, 108**

Oakes

Mary Frances (1846-1925) .. **176, 177**

Palmer

John H..... **167**

Parker

(unknown given name)..... **194**

Partridge

Chloe (1779-)..... 60
 John (1746-)..... **60, 69**
 John (1782-) 60
 Rhoda (1776-)..... 60, **69**
 Silas (1774-) 60

Patterson

Anna Adella (1858-) **196**

Peck

Washington Freeman (1841-1891) **144**

Peiper

Mary Ella **190**

Penton

James (1833-).....*184, 185*
 Mary Etta (1859-1944) .**184, 185**

--Penton

Elizabeth (1837-) 184

--Penton

Elizabeth (1837-) 185

Petty

Arminta **158**

Pfeiffer

Peter..... **112**

Phelps

Asahel (1780-1826) **82, 84**
 Asahel (1803-1804) 82, **84**
 Ebenezer (1740-1821)..... 82, 84
 Joseph Edmund (1805-1895)..82, **84**

--Phelps

Phebe.....82

--Phelps

Phebe.....84

Pike

Daniel (1799-)...*44, 45, 193, 196*
 Hannah (1825-).....**44, 193, 196**

Poorman

Margaret (1832-1910) **97**

Prentice

Amos (1806-)..... 46, 48, 197
 Mary Henderson (1832-1900) **46, 48, 197**

Priest

Edgar (1874-1945)..... **183**
 John (ca.1847-) 183

--Priest

Mary (ca.1851-)..... 183

Purdy

Caroline (1842-1845) ... 142, **144**
 Charles E (1837-)..... 142, **143**
 Hiram J (1847-) 142, **144**
 Maria Bissell (1840-1914) 142, **143**
 Merritt (1811-1873) **142**

- Ray**
 (1882-1882) 175, **176**
 Charles H (1852-) **175**
 Nellie H (1882-) 175, **176**
- Rhinehart**
 Erastus N (1847-) **197**
- Roberts**
 Emily 72
 Emma R **144**
 Sally (1781-1855) .. **27, 146, 148, 149, 151**
- Rogers**
 Mary (1824-) **89**
- Roose**
 Franklin F (1854-) **202**
- Ross**
 Edgar A (1847-) 151, **152**
 Ellen (1845-1865) 151, **152**
 George L (1842-1885) 151
 Lucy **150**
 Orin J (1814-1889) **151**
- Rutherford**
 Almira *113, 114*
- Ryan**
 Hannah **150**
- Ryerson**
 (unknown given name) **150**
- Scholl**
 Abram H (1822-1855) **153**
- Scribner**
 Clarence Madison (1873-1949) **186**
- Sears**
 (1820-) 95, **96**
 Abigail (1821-) 85, **90**
 Abner (1787-1842) **11, 15, 17, 31, 32, 34, 36, 38, 39, 42, 44, 46, 50, 52, 153, 154, 157, 159, 161, 164, 165, 166, 168, 170, 171, 173, 174, 175, 176, 180, 184, 190, 191, 192, 193, 196, 197, 198, 199, 200, 202, 203**
 Addison (1830-1895) ..11, 14, **52**
 Addison Hawley (1850-1856) . 36, **37**
 Agnes Lillian (1875-1918) 176, **178**
 Alexander (1814-1855).... 11, 13, **36, 174, 175**
 Alexander (1842-1908).... 38, 40, **176**
 Alonzo (1808-1878) 85, **89**
 Amanda (1815-1869) 24, 25, **142**
 Andrew J (1848-) 137, **141**
 Angeline (1810-1813) 11, **13**
 Angeline (1822-1852) 11, **13**
 Anna B (1817-1881) ..19, 21, **111**
 Arethusa (1816-1886) 85, **89**
 Arthur (1845-1864) 79, **80**
 Ashbel (1801-1880) 85, **88**
 Augustus W (1851-1870) .. 38, **41**
 Aurelia (1800-)19, 20, **101**
 Barnabas (1765-1850)55, 56, **65, 71, 73, 75, 76, 77, 78, 79**
 Barnabas (1777-1838) 62, 63, **85**
 Barnabas (1790-1820) 65, 66, **71**
 Barnabas (1819-1898) 85, **89**
 Betsy (1796-1796) 19, **20**
 Betsy (1805-1874)27, 28, **146**
 Carlie C (1845-1915) 145
 Caroline (1806-1872) 19, 20, **106**
 Caroline (1827-1897) .11, 14, **50, 198, 199, 200, 202, 203**
 Caroline H (1831-1901).... 85, **90**
 Carrie Belle (1866-1867) .. 46, **49**
 Caspar Henry (1845-1865) .. 113, **115**
 Cassius (1808-1878) .19, 21, **109**
 Cassius Clay (1844-1927) 113, **114**
 Charles Oliver (1819-1900)71, **72**
 Charles Willard (1854-1924) .. 38, 41, **184**
 Charlotte (1809-1873)11, 12, **31, 153, 154, 155, 157, 159, 161**
 Charlotte Ann (1845-1845) .. 137, **140**
 Clarence L (1857-1885).... 79, **81**
 Clark (1844-1845) 38, **40**
 Cordelia Maria (1832-1913) .. 119
 Cyrus (1857-1857) 38, **41**
 Daisy May (1878-1955) 184, **186**
 Daniel Abner (1842-1862) 44, **45**
 Darius Martin (1842-1843)... 119, **123**
 David Sanford (1839-1843).. 126, **132**
 Deborah (1758-)55, 56, **64**
 Diantha L (1812-1880)11, 13, **34, 164, 165, 166, 168, 170, 171, 173**
 Duke Percival (1881-1952) .. 176, **179**
 Edmund (1794-1803) 19, **20**
 Edmund Winslow (1821-1901) 95, **96**
 Eli (1798-1841) 65, **66**
 Elisha (1748-1820)**62, 82, 85, 91, 92, 93, 94, 95**
 Elizabeth 103, **105**
 Elizabeth (1823-1893) 95, **97**
 Elizabeth Emily (1843-1913) .. 75, **76**
 Ellen (1818-1840)27, 28, **151**
 Ellen (1835-1843) 95, **97**
 Elmer Clarence (1880-1954) 184, **187**
 Emeline (1812-1842) 19, 21, **110**
 Emily Jane (1852-1852) ... 46, **48**
 Enos (1806-1876) 85, **89**
 Erastus Field (1845-1855) **75, 76**
 Estella O "Stella" (1871-1943) 176, **178**
 Fannie L (1861-1871) 38, **41**
 Frances 103, **105**
 Franklin (1785-1869) ..62, 63, **95**
 Franklin P (1852-1914) 79, **80**
 Fred (1850-1902) 113, **115**
 Genette (1844-)44, 45, **193**
 George A (1862-1916) . 134, **135**
 George Everett (1848-1119, **124**
 George M Webster (1846-1868)126, **133**
 George W (1837-1910) .103, **104**
 George W (1838-1920) .137, **138**
 George Washington (1846-1847) 44, **45**
 H Peter103, **105**
 Hannah (1756-1842) .55, 56, **62, 82, 85, 91, 92, 93, 94, 95**
 Hannah (1785-) 62, 63, **94**
 Hannah Jane (1818-1879) 11, 13, **42, 191, 192**
 Harriet (1798-1847).... 19, 20, **99**
 Harriet Anderson (1877-) . 52, **53**
 Harry Lincoln (1865-1910) 38, 41, **190**
 Harry Vidito (1857-1931)113, **116**
 Harvey (1869-1874) 38, **42**
 Hattie O (1869-1871)....176, **178**
 Henry Barnabas (1842-1912) .. 79
 Henry Bela (1844-1923) 119, **123**
 Henry Lee (1820-1894) 19, 21, **113**
 Hiram (1802-) 19, 20, **103**
 Hiram (1818-1888) ... 24, 25, **145**
 Hiram (1852-) 44, 45, **196**
 Hiram DD (1825-1911)11, 14, **46, 197**
 Hiram M (1837-1878) ...149, **150**
 Idella (1848-1910) 79, **80**
 Jane Maria (1830-) 95, **97**
 Jerome (-1864)103, **105**
 John (1773-1852) 15, 16, **19, 99, 101, 103, 106, 109, 110, 111, 113**
 John (1810-1834) 19, **21**
 John (1820-1845) 22, **23**
 John Henry (1839-1898)137, **139**
 John Michael (1839-1883)119, **122**
 John Ogden (1901-1976)190, **191**
 Jonas (1804-1833) 22, **23**
 Joseph (1675-1750)... 15, 55, 60, 61, 62, 64, 65
 Julia A (1833-) 95, **97**
 Leah Faye (1887-1983) .184, **188**
 Lizzie Ann (1855-1876) 46, **49**
 Lois Ann (1836-1846) ...119, **122**
 Lowell Clark (1833-1909)126, **131**
 Lucius (1827-1828) 99, **100**
 Lydia (1781-) . 62, 63, **91, 92, 93**
 Mabel Olive (1882-1969)184, **188**
 Mariah T (1836-) 73, **74**
 Martha103, **105**
 Mary (1798-1832) 22, 23, **117**
 Mary (1802-1807) 27, **28**
 Mary (1810-1825) 85, **89**
 Mary A103, **105**
 Mary Angeline (1846-1928) ... 38, 40, **180**
 Mary Ann (1814-)27, 28, **149**
 Mary Augustina (1831-1834) . 73, **74**
 Mary Catharine "Kate" (1834-1917)119, **120**
 Mary Delphine (1861-1883) ... 52, **53**

Mary Eliza (1854-).... 36, 37, **175**
 Mary Elizabeth (1816-1841)... 19, **21**
 Mary Elizabeth (1841-1841)..137, **140**
 Mary Emily (1837-1861)....95, **97**
 Mary Jane (1854-)..... 113, **116**
 Mary L (1868-1938)..... 134, **136**
 Matilda (1839-).....95, **98**
 Mercy (1783-1853)..... 62, 63, **93**
 Nathan (1807-1878)... 65, 67, **75**
 Nellie Powers (1870-)46, **49**
 Orange (1776-1854).. 15, 17, **24**,
 137, 142, 145
 Orin (1810-1839).....24, **25**
 Oscar (1812-1890)... 24, 25, **137**
 Phebe (1694-1732)15, 55, 56, 60,
 61, 62, 64, 65
 Phebe (1749-1825).... 55, 56, **59**,
60, 61, 69, 70
 Philander (1850-).....44, **45**
 Polly (1774-1844) 62, 63, **82**
 Polly (1778-)..... 15, 17, **26**
 Priscilla (1810-1837). 22, 23, **133**
 Reuben Seelye (1835-1845) .126,
132
 Rhoda "Rosa" (1794-1871)65, **66**
 Rhoda Ann (1842-1843) 126, **132**
 Richard (1748-1814).. **11, 15**, 19,
 22, 24, 26, 27, 28, 29, 31, 34,
 36, 38, 42, 44, 46, 50, 52, 55,
 56, 99, 101, 103, 106, 109, 110,
 111, 113, 117, 119, 125, 126,
 133, 134, 137, 142, 145, 146,
 148, 149, 151
 Richard (1775-1830).. 15, 17, **22**,
 117, 118, 119, 125, 126, 133,
 134
 Richard III (1801-1852) ... 22, 23,
117, 119, 125
 Richard Van Rensselaer (1819-
 1884)..... 11, 13, **44**, 193, 196
 Roland (1711-1784) .. 62, 82, 85,
 91, 92, 93, 94, 95
 Rosa Maria "Rosy" (1853-)46, 49,
197
 Rosanna "Rosa" (1832-1908).. 78
 Rufus Chapman (1818-1838). 19,
21
 Ruth (1791-1848)65, **66**
 Sally (1784-) 15, 17, **28, 29**
 Sally Maria (1808-1826)... 27, 28,
148
 Sarah Ann (1828-1872)73, **74**
 Sardis (1809-1861) ... 65, 67, **76**,
78, 79
 Silas (1661-1732) 55
 Silas (1719/20-1780). 11, 15, 19,
 22, 24, 26, 27, 28, **55**, 59, 60,
 61, 62, 64, 65, 69, 70, 71, 73,
 75, 78, 79, 82, 85, 91, 92, 93,
 94, 95
 Silas (1781-1830)15, 17, **27**, 146,
 148, 149, 151
 Silas (1806-1859) 22, 23, **126**
 Silas (ca.1641-1697/98)..... 55
 Simeon (1803-1878)... 65, 66, **73**
 Simon (Simeon Sears) (1803-
 1878) 66, 73
 Sophronia (1848-).....79, **80**

Sumner (1804-1877).....85, **88**
 Thankful (1779-)..... 62, 63, **91**
 Thankful (1796-1879).....65, **66**
 Vesta Caroline "Carrie" (1858-
 1864).....38, **41**
 Vesta Cordelia (1848-1850)....44,
45
 Vesta Cordelia (1848-1918)....36,
 37, **174**
 Walter E (1859-1859)... 134, **135**
 Walter Scott (1823-1895). 22, 23,
134
 Washington (1816-1891) . 11, 13,
38, 176, 177, 180, 184, 190
 Wellington (1848-1862) 38, **41**
 Willard Prentice (1859-)....46, **49**
 William Edward (1866-1891) 176,
177
 William L (1863-1865) 38, **41**
 William Oscar (1845-1915)... 137,
140
 William Wallace (1828-1913)..95,
97

SEARS

Mary Adelle "Della" (1856-).. 137,
141

Seeley

Daniel (1763-1840)126, 127

Seelye

Betsey M (1813-1909) . **126, 127**

Shadders

Elizabeth (1801-1872) **95**
 Robert..... **93**

Shaw

Charles..... **80**

Shurtliff

Margaret J "Maggie" (1844-). **198**

Simpson

Alonzo H..... **150**

Slawson

James H **112**

Sloan

Electra..... **78**
 Wilson78

--Sloan--

Lucy.....78

--Sloan--

Lucy.....78

Slocumb

Abbie M (1840-)..... **107**

Smith

Benjamin **92**
 Charles S (1821-)..... **90**
 Fannie E..... **107**
 Luman B..... 107

Stevens

Edgar E (1877-) 171, **172**
 George Mitchell..... **171**
 Howard W (1872-)..... 171, **172**
 Ida F (1874-)..... 171, **172**
 Ida F (1881-)..... 171, **172**

John L (1873-1873)..... 171, **172**
 Miles M (1876-) 171, **172**
 Oscar O (1870-)..... 171
 Otho Robert (1879-1940).... 171,
172
 Thaddeus (1883-) 171, **172**

Stone

(unknown given name)..... **93**
 Hannah (1801-1871) **88**

Stratton

Arthur 195
 Katie Angeline..... **195**
 Mattie **196**

Sutton

Benjamin F (1835-) 106, **107**
 Byron (1800-1858)**106, 107**
 Caroline M (1840-)..... 106, **108**
 Cornelia J (1846-1870). 106, **108**
 Frederic M (1844-1845) 106, **108**
 George Thomas (1837-1903) 106,
108
 James Byron (1832-1909).... 106,
107
 John M (1833-1863).... 106, **107**
 Lucretia E (1831-1876). 106, **107**
 Sarah A (1836-)..... 106, **107**

Thomas

Mary A 159

Thompson

Arthur K **158**
 Dewitt (1850-)..... **116**

Tubbs

Diamy "Amy" (1809-1877)... **125**
 Peter (1783-) 120, 122, 125
 Samuel S (1833-?)..... **120**
 Seth Barton Robert (1830-1917)
 **122**
 Smith (1826-1865) **120**

Underwood

Jonas **70**

Van Pelt

Alexander (1763-) 11, 12, 31, 34,
 36, 38, 42, 44, 46, 50, 52
 Hannah (1767-)... 11, 12, 31, 34,
 36, 38, 42, 44, 46, 50, 52
 Mary (1789-1865)**11, 12**, 31, 32,
 34, 36, 38, 39, 42, 44, 46, 50,
 52, 153, 154, 157, 159, 161,
 164, 165, 166, 168, 170, 171,
 173, 174, 175, 176, 180, 184,
 190, 191, 192, 193, 196, 197,
 198, 199, 200, 202, 203

Varney

Cyrus **69, 70**

Vaughn

Judith.....79

Vawters

Addison Sears (1884-).. 174, **175**
 Edwin (1844-) **174**

Vidatoe

Cornelia (1816-1865)99, **100**
 Harvey (1796-1880)..... **99**

- James (1740-1831).....99, 100
- Vidatoe**
Sarah..... 99
- Vidatoe**
Sarah..... 100
- Vidito**
Byron (1831-1832) 99, **101**
Clarinda (1821-1842) 99, **100**
Elida (1838-1853)..... 99, **101**
Harvey (1825-1857)..... 99, **100**
Huldah (1828-1832)..... 99, **100**
Jane (1823-1844) 99, **100**
Laura (1827-1845)..... 99, **100**
Melinda (1818-1820)..... 99, **100**
Phila (1836-)..... 99, **101**
Welcome (1833-1849)..... 99, **101**
- Vokes**
Asenath (1803-1887)**89**
- Waddell**
Harry Kerr (1889-).....**189**
- Waldo**
Prentiss (1812-).....**100**
- Warner**
Adelaide Delphine "Addie" (1835-1905)**52, 53**
- Washburn**
Charles (1849-) 149, **150**
Elizabeth H (1841-)..... 149, **150**
- Ella (1836-) 149, **150**
Ellen (1839-)..... 149, **150**
George A (1847-) 149, **150**
Hiram (1807-1877)**149**
John (1843-) 149, **150**
Jonas (1845-1860)..... 149, **150**
Mary Ann (1851-1870) . 149, **150**
Raymond (1853-1863) . 149, **150**
Roxanna (1855-1871) .. 149, **150**
Sarah Maria (1834-)..... 149, **150**
Silas Henry (1832-)..... 149, **150**
- Wells**
Chester (1817-).....**100**
- Wheaton**
Amasa 113, 114
Julia Fidelia (1824-1872)**113, 114**
- Wheeler**
(unknown given name)**64**
- Whiteside**
George R.....**156**
- Whitford**
Melissa A (1844-)**139**
Rensler 139
- Whitford**
Laura 139
- Wilkinson**
Charles (1833-)..... 136
Sarah M (1875-).....**136**
- Wilkinson**
Eliza (1839-).....**136**
- Wills**
Andrew 193, 194
Christopher (1874-1880)193, **195**
Clayton (1840-1926).... **193, 194**
Clayton (1870-).....193, **195**
Fannie G (1866-).....193, **194**
Joseph H (1878-).....193, **195**
Lafayette (1876-1949) ..193, **195**
Philander (1872-)193, **195**
Richard M (1865-)193, **194**
Vesta C (1868-).....193, **194**
- Winslow**
(unknown given name) **91**
- Witherell**
Abigail (1782-1860)..... **85, 88**
Asher (1781-) **92, 93**
Franklin (1807-)..... 92, **93**
Lyman (1811-)..... 92, **93**
Mary (1813-) 92, **93**
William (1809-) 92, **93**
- Wood**
Edson George105
Martha A (1856-)..... **81**
Martha Ellen (1843-1914)..... **105**
- Zimmer**
Catherine (1787-).. 120, 122, 125